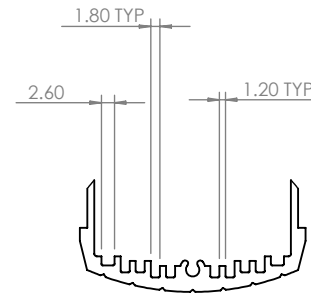
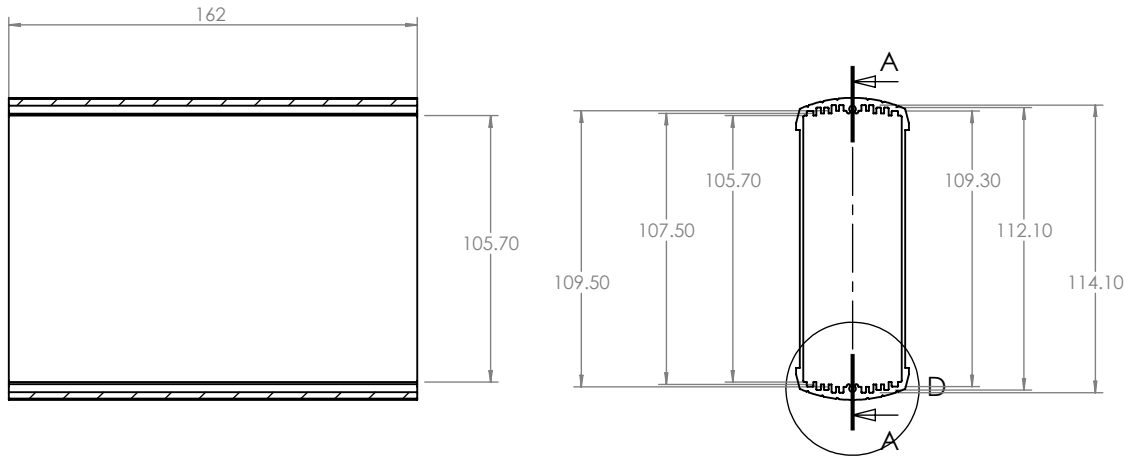
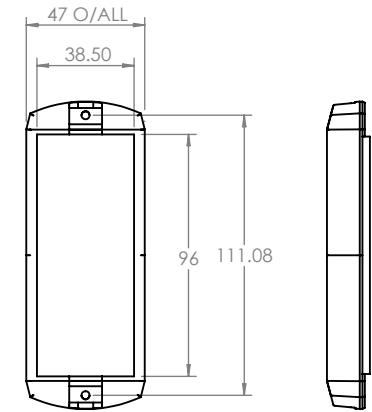


SECTION A-A



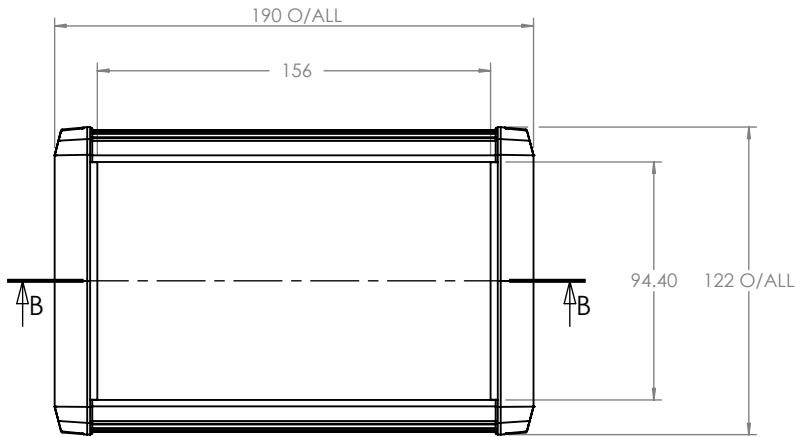
DETAIL D



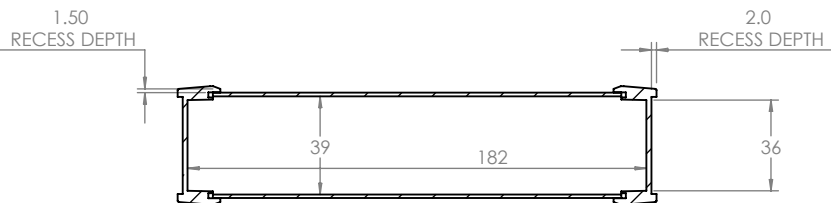
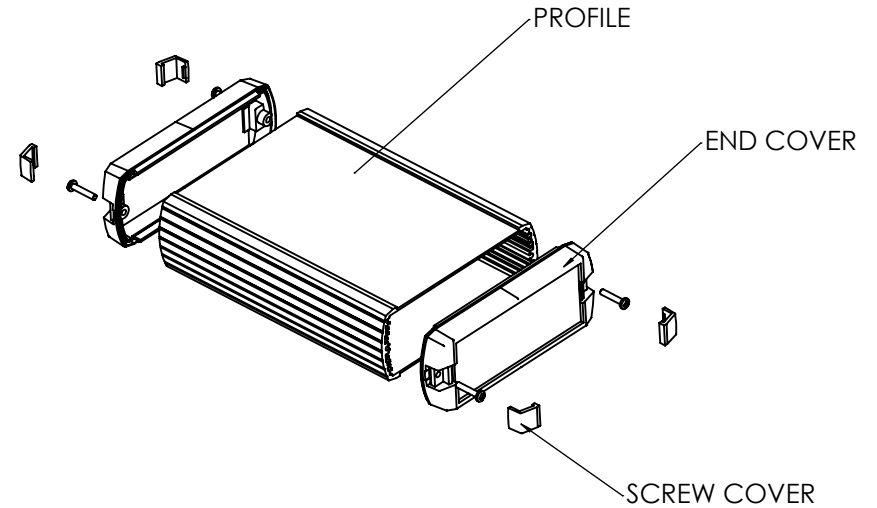
END COVER

PROFILE

ASSEMBLY



ISO VIEW
1:4



SECTION B-B

CAMDENBOSS
ELECTRONICS & ENCLOSURES
JAMES CARTER RD, MILDENHALL, SUFFOLK. IP28 7DE
TEL: 01638 716101 FAX: 01638 716554
EMAIL: Sales@CamdenBoss.com
WEB: www.CamdenBoss.com

UNLESS OTHERWISE SPECIFIED:
DIMENSIONS ARE IN MILLIMETERS

DO NOT SCALE DRAWING

REVISION. 0

FINISH.
EPOXY PAINT

TITLE:
GNL ASSEMBLY DRG FOR
55 SERIES

| | NAME | SIGNED | DATE |
|-------|------------|--------|----------|
| DRAWN | IAN PAGANO | I.P. | 06/08/13 |
| CHKD | - | - | - |

MATERIAL.
ALUMINIUM

DWG NO.

CEAREPG05

A4

PROJECTION.

SCALE: 1 : 2

SHEET 1 OF 1