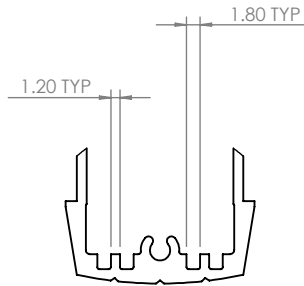
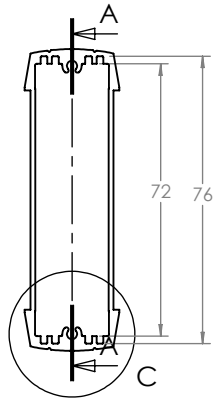
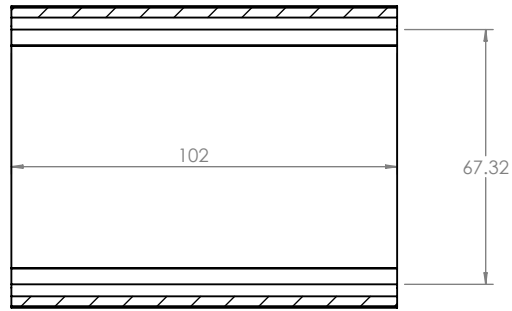
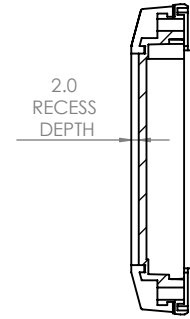


SECTION A-A

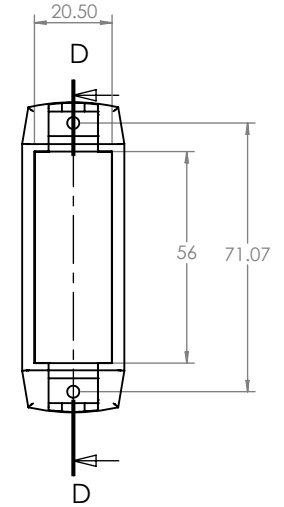


DETAIL C

SECTION D-D



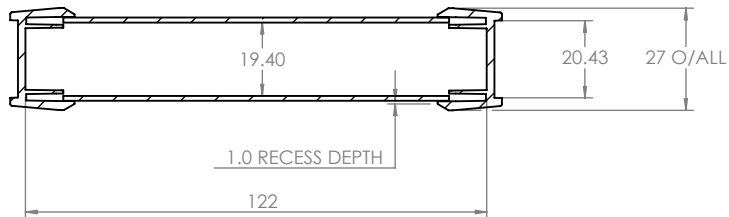
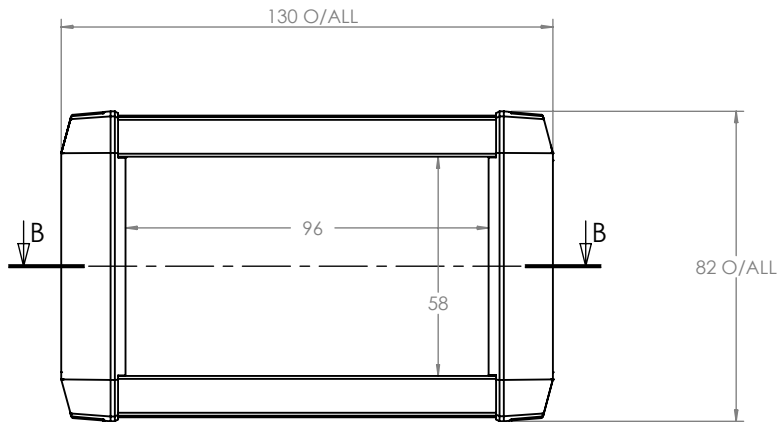
END COVER



D

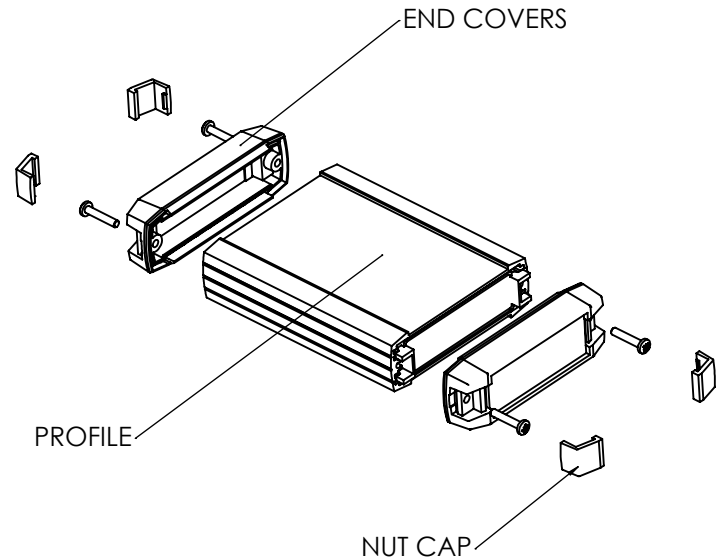
PROFILE

ASSEMBLY



SECTION B-B

ISO VIEW
1:3



END COVERS

PROFILE

NUT CAP

 JAMES CARTER RD, MILDENHALL, SUFFOLK, IP28 7DE TEL: 01638 716101 FAX: 01638 716554 EMAIL: Sales@CamdenBoss.com WEB: www.CamdenBoss.com		UNLESS OTHERWISE SPECIFIED: DIMENSIONS ARE IN MILLIMETERS		DO NOT SCALE DRAWING		REVISION. O					
		FINISH. EPOXY PAINT		TITLE: GNL ASSEMBLY DRG FOR 55 SERIES							
DRAWN IAN PAGANO		SIGNED I.P.		DATE 06/08/13		MATERIAL. ALUMINIUM		DWG NO. CEREPB01		A4	
CHKD -		-		-		PROJECTION.		SCALE: 1:2		SHEET 1 OF 1	