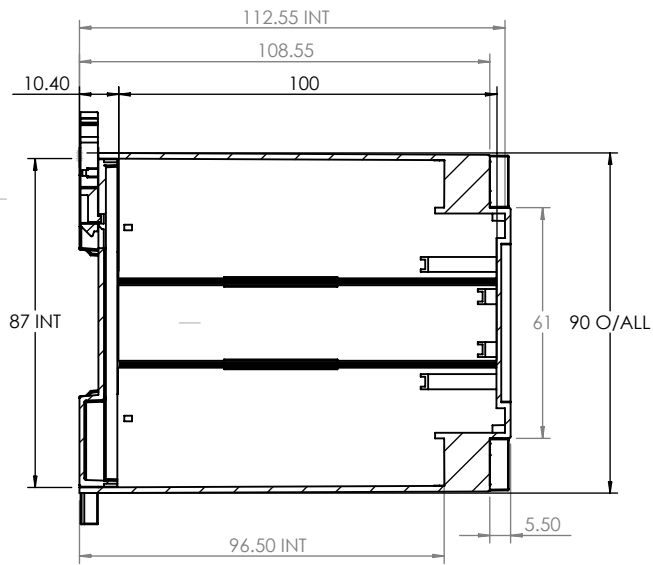
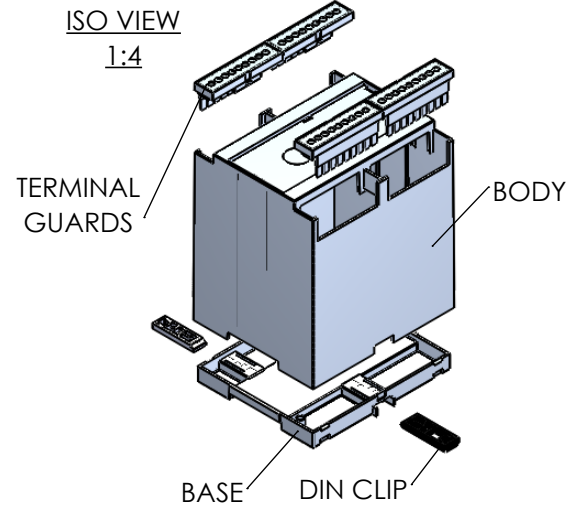
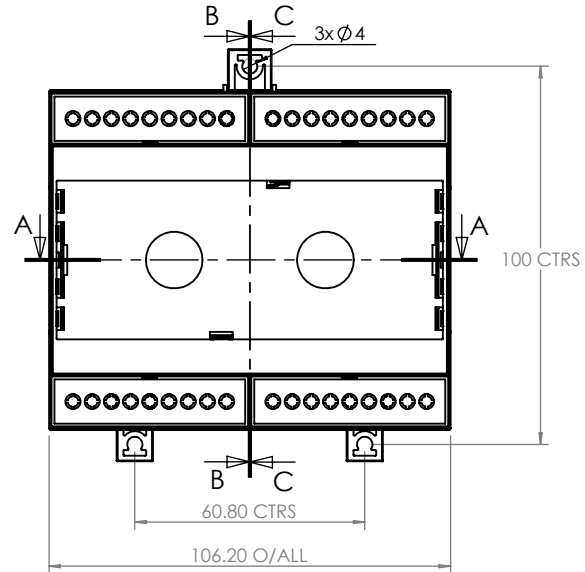


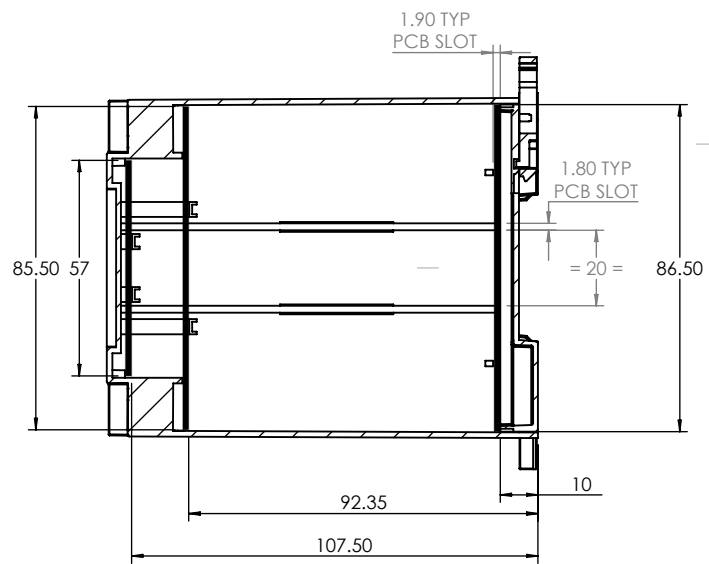
SECTION A-A



SECTION B-B



DIN CLIPS ARE SHOWN IN WALL MOUNTING POSITION



SECTION C-C

CAMDENBOSS
 ELECTRONICS & ENCLOSURES
 JAMES CARTER RD, MILDENHALL, SUFFOLK. IP28 7DE
 TEL: 01638 716101 FAX: 01638 716554
 EMAIL: Sales@CamdenBoss.com
 WEB: www.CamdenBoss.com

UNLESS OTHERWISE SPECIFIED:
 DIMENSIONS ARE IN MILLIMETERS
 GENERAL TOLERANCES +/- 0.2
 FINISH: FINE TEXTURE
 MATERIAL: UL94-V0 PC
 RAL: 7035
 PROJECTION:

DO NOT SCALE DRAWING	REVISION: ○
TITLE: GENERAL ASSEMBLY DRAWING FOR CDIB SERIES	
DWG NO. CDIB-6ST-D2-KIT	A4
SCALE: 1:2	SHEET 1 OF 1

	NAME	SIGNED	DATE
DRAWN	MATTHEW WALLACE	MJW	28/04/15
CHKD	IAN PAGANO	IP	29/04/15