

LED Arrays with red, green or yellow LED's

- pre-mounted in single or double LED housings
- array blocks can be separated by hand
- exact orientation and correct polarity are guaranteed with the location pin
- high luminosity with low power consumption
- reflow version available



Single height LED-arrays



Block consists of: Single height row of 1

Current	red	green	yellow
2 mA	09H0010-62	09H0011-62	09H0012-62
10 mA	09H0010-60	09H0011-60	09H0012-60

packing unit: 80 blocks



Block consists of: Single height row of 2

Current	red	green	yellow
2 mA	09H0020-62	09H0021-62	09H0022-62
10 mA	09H0020-60	09H0021-60	09H0022-60

packing unit: 40 blocks



Block consists of: Single height row of 4

Current	red	green	yellow
2 mA	09H0040-62	09H0041-62	09H0042-62
10 mA	09H0040-60	09H0041-60	09H0042-60

packing unit: 20 blocks



Block consists of: Single height row of 8

Current	red	green	yellow
2 mA	09H0080-62	09H0081-62	09H0082-62
10 mA	09H0080-60	09H0081-60	09H0082-60

packing unit: 10 blocks



Block consists of: Single height row of 16

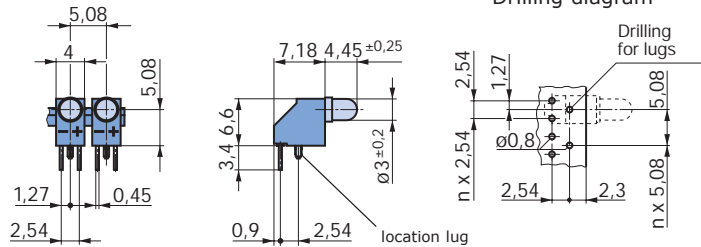
Current	red	green	yellow
2 mA	09H0160-62	09H0161-62	09H0162-62
10 mA	09H0160-60	09H0161-60	09H0162-60

packing unit: 5 blocks

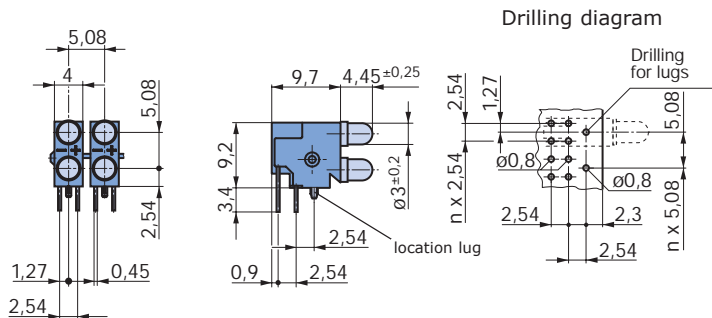
1 mm = 0.04 inch, 1 inch = 25.4 mm

Technical Data and Modified Versions see page 155-157
Items available from stock!

Single height LED-array



Double height LED-array



Double height LED-arrays



Block consists of: Double height row of 1

Current	red/red	green/green	yellow/yellow	red/yellow	red/green	yellow/green
2 mA	09H0010-63	09H0011-63	09H0012-63	09H0015-63	09H0016-63	09H0017-63
10 mA	09H0010-61	09H0011-61	09H0012-61	09H0015-61	09H0016-61	09H0017-61

Color combination: top/bottom

packing unit: 80 blocks



Block consists of: Double height row of 2

Current	red/red	green/green	yellow/yellow	red/yellow	red/green	yellow/green
2 mA	09H0020-63	09H0021-63	09H0022-63	09H0025-63	09H0026-63	09H0027-63
10 mA	09H0020-61	09H0021-61	09H0022-61	09H0025-61	09H0026-61	09H0027-61

Color combination: top/bottom

packing unit: 40 blocks

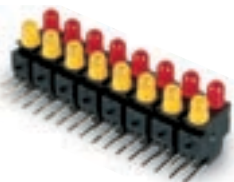


Block consists of: Double height row of 4

Current	red/red	green/green	yellow/yellow	red/yellow	red/green	yellow/green
2 mA	09H0040-63	09H0041-63	09H0042-63	09H0045-63	09H0046-63	09H0047-63
10 mA	09H0040-61	09H0041-61	09H0042-61	09H0045-61	09H0046-61	09H0047-61

Color combination: top/bottom

packing unit: 20 blocks

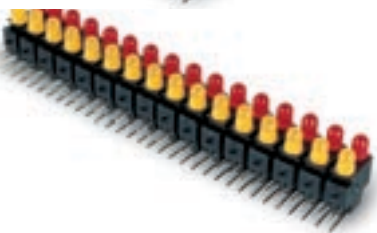


Block consists of: Double height row of 8

Current	red/red	green/green	yellow/yellow	red/yellow	red/green	yellow/green
2 mA	09H0080-63	09H0081-63	09H0082-63	09H0085-63	09H0086-63	09H0087-63
10 mA	09H0080-61	09H0081-61	09H0082-61	09H0085-61	09H0086-61	09H0087-61

Color combination: top/bottom

packing unit: 10 blocks



Block consists of: Double height row of 16

Current	red/red	green/green	yellow/yellow	red/yellow	red/green	yellow/green
2 mA	09H0160-63	09H0161-63	09H0162-63	09H0165-63	09H0166-63	09H0167-63
10 mA	09H0160-61	09H0161-61	09H0162-61	09H0165-61	09H0166-61	09H0167-61

Color combination: top/bottom

packing unit: 5 blocks