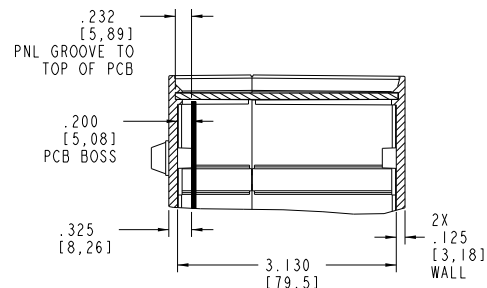
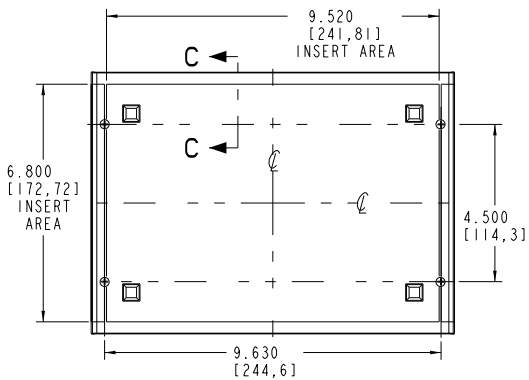
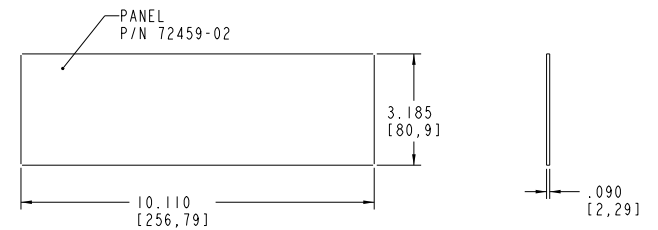


SECTION A-A

SECTION B-B



SECTION C-C
SCALE 1:200



PACINTEC®
1-610-361-4200

BM-3

VISIT **PACINTEC®**
ON THE WORLD WIDE WEB
www.pactecenclosures.com

| COLOR / MATERIAL CODE | |
|-----------------------|-----------|
| COLOR | 94HB 94VO |
| BLACK | 000 028 |
| P. C. BONE | 039 060 |

| DRAWING NUMBER | REV |
|----------------|-----|
| 77704 | C |