

| Issue No. | Eng. Ref. No. | REVISIONS                 | Date     | App. By  |
|-----------|---------------|---------------------------|----------|----------|
| 5         | 1418          | Length Tolerance Modified | 28/11/09 | paramesh |
| 6         | 1455          | øG Tolerance Amended      | 04/01/10 | paramesh |

☞ TABLE-C

CABLE ENTRY RANGES :-

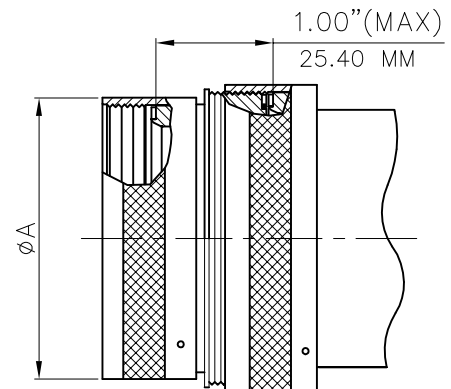
| AMPHENOL PART NUMBER DESIGNATOR | CABLE ENTRY RANGE |                | BOOT LIP       |                |
|---------------------------------|-------------------|----------------|----------------|----------------|
|                                 | B DIA             |                | G DIA          |                |
|                                 | INCH              | MM             | INCH           | MM             |
|                                 | +0.01<br>-0.02    | +0.25<br>-0.50 | +0.04<br>-0.00 | +1.80<br>-0.00 |
| 50                              | 0.13              | 3.18           | 0.31           | 7.92           |
| 51                              | 0.19              | 4.78           | 0.37           | 9.50           |
| 52                              | 0.25              | 6.35           | 0.44           | 11.10          |
| 53                              | 0.31              | 7.92           | 0.50           | 12.70          |
| 54                              | 0.38              | 9.53           | 0.56           | 14.27          |
| 55                              | 0.44              | 11.13          | 0.62           | 15.85          |
| 56                              | 0.50              | 12.70          | 0.69           | 17.45          |
| 57                              | 0.56              | 14.27          | 0.75           | 19.05          |
| 58                              | 0.63              | 15.88          | 0.81           | 20.62          |
| 59                              | 0.69              | 17.48          | 0.87           | 22.20          |
| 60                              | 0.75              | 19.05          | 0.94           | 23.80          |
| 61                              | 0.81              | 20.62          | 1.00           | 25.40          |
| 62                              | 0.88              | 22.23          | 1.06           | 26.97          |
| 63                              | 0.94              | 23.83          | 1.12           | 28.55          |
| 64                              | 1.00              | 25.40          | 1.19           | 30.15          |
| 65                              | 1.06              | 26.97          | 1.25           | 31.75          |
| 66                              | 1.13              | 28.58          | 1.31           | 33.32          |
| 67                              | 1.25              | 31.75          | 1.44           | 36.50          |
| 68                              | 1.38              | 34.93          | 1.56           | 39.67          |
| 69                              | 1.50              | 38.10          | 1.69           | 42.85          |
| 70                              | 1.63              | 41.28          | 1.81           | 46.02          |
| 71                              | 1.75              | 44.45          | 1.94           | 49.20          |
| 72                              | 1.88              | 47.63          | 2.06           | 52.37          |
| 73                              | 2.00              | 50.80          | 2.19           | 55.55          |

☞ TABLE-D

LENGTHS :-

(ONLY FOR STRAIGHT BACKSHELLS)

| AMPHENOL PART NUMBER DESIGNATOR | LENGTHS          |                |
|---------------------------------|------------------|----------------|
|                                 | INCH             | MM             |
|                                 | +0.039<br>-0.079 | +1.00<br>-2.00 |
| A                               | 1.50             | 38.10          |
| B                               | 2.00             | 50.80          |
| C                               | 2.50             | 63.50          |
| D                               | 3.00             | 76.20          |
| E                               | 3.50             | 88.90          |
| F                               | 4.00             | 101.60         |
| G                               | 4.50             | 114.30         |
| H                               | 5.00             | 127.00         |
| J                               | 5.50             | 139.70         |
| K                               | 6.00             | 152.40         |
| L                               | 6.50             | 165.10         |
| M                               | 7.00             | 177.80         |
| N                               | 7.50             | 190.50         |
| P                               | 8.00             | 203.20         |
| Z                               | 1.00             | 25.40          |



STYLE 2 :

☞ NOTE:

↪ When Maximum Cable Entry Exceed's Connector Shell Diameter, Style-2 will be Supplied.

|                                                 |          |           |                                                                                             |                                        |                                       |
|-------------------------------------------------|----------|-----------|---------------------------------------------------------------------------------------------|----------------------------------------|---------------------------------------|
| <p align="center"><b>Amphenol</b><br/>AIIPL</p> |          |           | TITLE                                                                                       |                                        |                                       |
|                                                 |          |           | <p align="center">ADDITIONAL CABLE ENTRY SIZES AND LENGTHS<br/>[BANDLOCK BACKSHELL(BL)]</p> |                                        |                                       |
| Name                                            | Date     | Dwg. Size | Dwg.No.                                                                                     | <p align="center"><b>PSTDBS510</b></p> | <p align="center"><b>STANDARD</b></p> |
| Drawn by <i>Panthosh</i>                        | 28/11/09 |           |                                                                                             |                                        |                                       |
| Checked by <i>Ksc</i>                           | 04/01/10 |           |                                                                                             |                                        |                                       |
| App.by <i>paramesh</i>                          | 04/01/10 |           |                                                                                             |                                        |                                       |