

BL0307-50-63

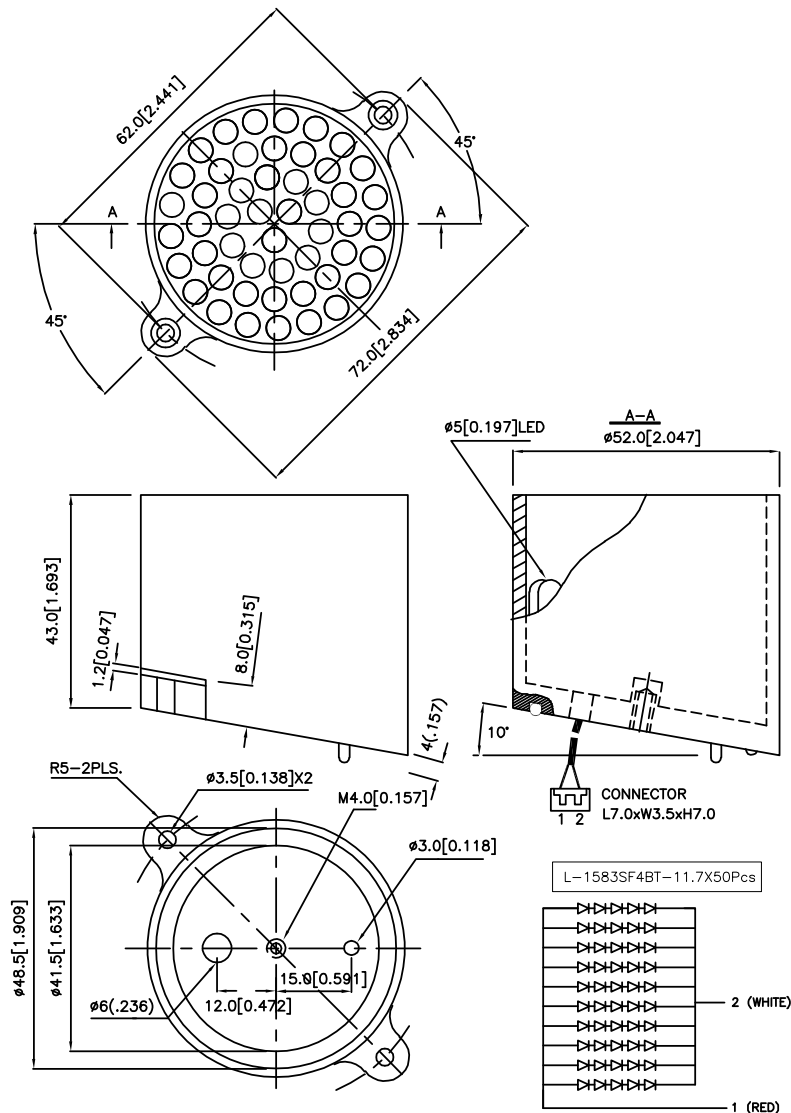
Features

- WATERPROOF CONSTRUCTION.
- SUITABLE FOR OUTDOOR APPLICATIONS, SIGNBOARD OR MESSAGE BOARD, ETC.
- RoHS COMPLIANT.

Description

SF4 Made with Gallium Aluminum Arsenide Infrared Emitting diodes.

Package Dimensions



Notes:

1. All dimensions are in millimeters (inches).
2. Tolerance is ± 0.25 (0.01") unless otherwise noted.
3. Specifications are subjected to change without notice.

Electrical / Optical Characteristics at TA=25°C

Symbol	Parameter	Device	Min	Typ.	Max.	Units	Test Conditions
IE	Radiant Intensity	BL0307-50-63	480	800	-	mW/sr	IF=200mA
θ	Viewing Angle		-	40	-	Deg.	-
VF	Forward Voltage		-	6.5	8	V	IF=200mA
λ_{peak}	Peak Wavelength		-	880	-	nm	IF=200mA
$\Delta\lambda_{1/2}$	Spectral Line Half-width		-	50	-	nm	IF=200mA
IR	Reverse Current		-	-	100	uA	VR = 5V

Absolute Maximum Ratings at TA=25°C

Parameter	Type	Units
Power dissipation	3000	mW
DC Forward Current	500	mA
Reverse Voltage	5	V
Operating Temperature	-40°C To +70°C	
Storage Temperature	-40°C To +85°C	