


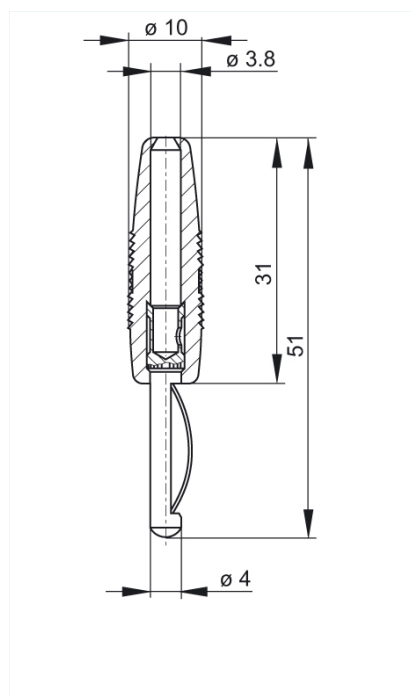
VON 30 schwarz/black

Industrial Connectors:Measuring and Testing Equipment:Plugs:4 mm system

Product description

| | |
|----------------------|--|
| Description | Fully mating connector, shatter-proof, flexible insulated sleeve. The tapering sleeve end also serves as kinking protection for the lead. Solder connection up to maximum cable cross-section of 2.5 mm ² . Nickel-plated brass contact material. |
| Type | VON 30 schwarz/black |
| Order No. | 930 047-100 |
| System | 4 mm system |
| Housing Color | black |
| Color types |  |
| Other standard types | red color, order no. 930 047-101; blue color, order no. 930 047-102; yellow color, order no. 930 047-103; green color, order no. 930 047-104 |

Drawing



Technical data

| | |
|----------------|------|
| Pin dimensions | 4 mm |
|----------------|------|

| | |
|---------------------------------|---------------------|
| Type of contact | pin (spring-loaded) |
| Type of termination | solder |
| Rated voltage | DC 60 V |
| Rated current | 30 A |
| Contact resistance | 3 mOhm |
| Material | |
| Contact material | brass |
| Contact surface material | nickel-plated |
| Housing material | PVC-P |
| Environmental conditions | |
| Temperature range | -25 °C to +70 °C |
| Inflammability class | |
| Housing | 94 V-2 |