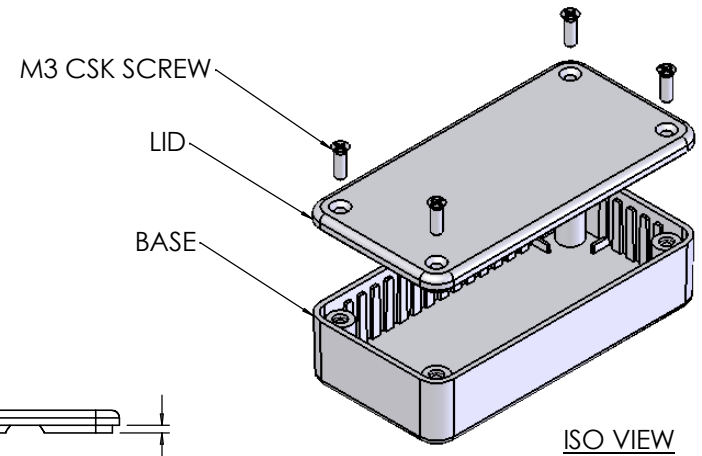


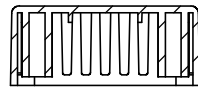
OVERALL ASSEMBLY DIMENSIONS:

EXTERNAL - 100 x 50 x 25

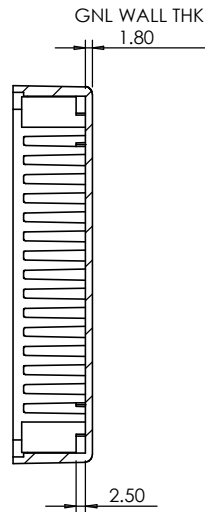
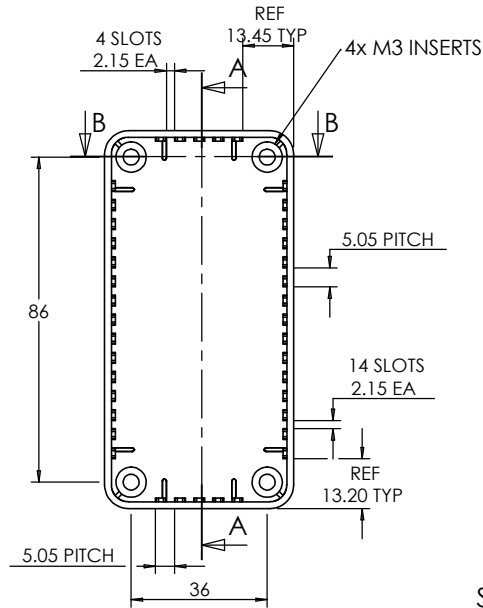
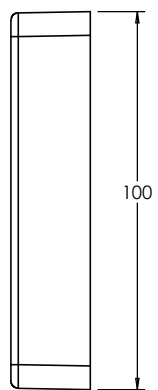
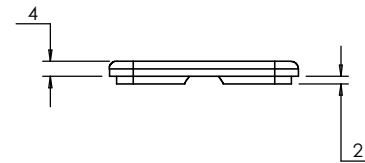
INTERNAL - 96.4 x 46.4 x 21.4



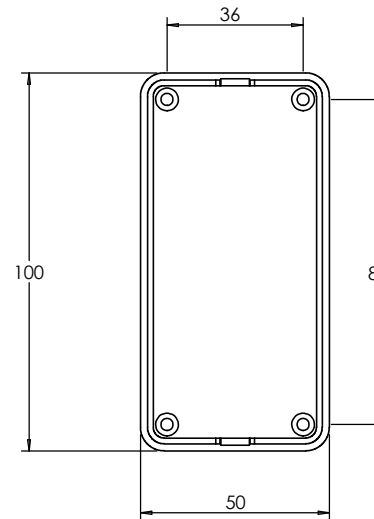
ISO VIEW



SECTION B-B

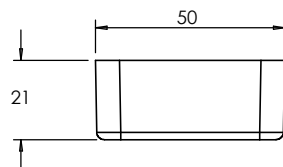


SECTION A-A



LID

BASE



JAMES CARTER RD, MILDENHALL, SUFFOLK. IP28 7DE
 TEL: 01638 716101 FAX: 01638 716554
 EMAIL: Sales@CamdenBoss.com
 WEB: www.CamdenBoss.com

UNLESS OTHERWISE SPECIFIED:
 DIMENSIONS ARE IN MILLIMETERS

DO NOT SCALE DRAWING

REVISION. 0

FINISH:
 SMOOTH

TITLE:

ASSEMBLY DRG FOR 2002/12

	NAME	SIGNED	DATE
DRAWN	S.HARDINGE	SJH	04/10/05
CHK'D	-	-	-

MATERIAL:
 ABS
 PROJECTION.

DWG NO.	2002,12	A4
SCALE: 1 : 2	SHEET 1 OF 1	