

BEF-KH(F)-Mxx

Clamping and Alignment Brackets

- High clamping force for durably fixed sensor
- Mechanical stop for defined mounting position
- Plastic housing, glass fiber reinforced
- Screws and nuts in V4A (1.4401)

BEF-KH(F)-M18

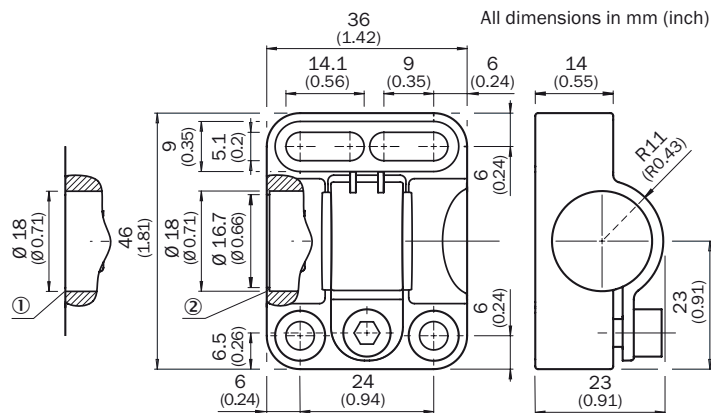
Clamping and Alignment Brackets

Mounting clamp for cylindrical sensors (without mechanical stop / with mechanical stop)

Dimensional drawing

Technical data

Material	Plastic (PA12), glass fiber reinf.
Delivery	incl. mounting material



Order information

Type	Order no.	Features
BEF-KH-M18	2051481	① without mechanical stop
BEF-KHF-M18	2051482	② with mechanical stop

MH15

V18

IM18

IME18



MM18

CM18

UM18

KT1M



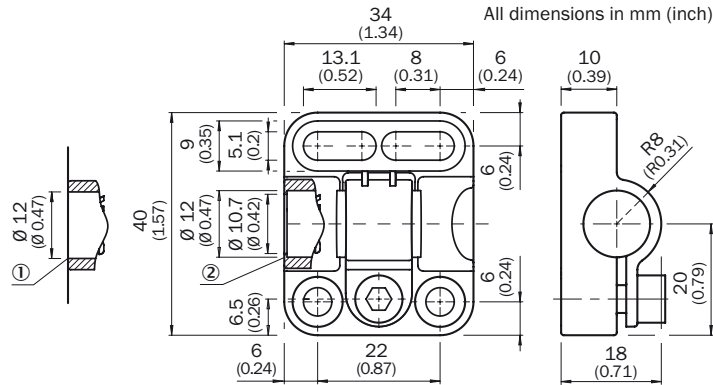
BEF-KH(F)-M12

Clamping and Alignment Brackets

Mounting clamp for cylindrical sensors (without mechanical stop/ with mechanical stop)

Dimensional drawing

Technical data



Material	Plastic (PA12), glass fiber reinf.
Delivery	incl. mounting material

Order information

Type	Order no.	Features
BEF-KH-M12	2051479	① without mechanical stop
BEF-KHF-M12	2051480	② with mechanical stop

V12

IM12

IME12

MM12



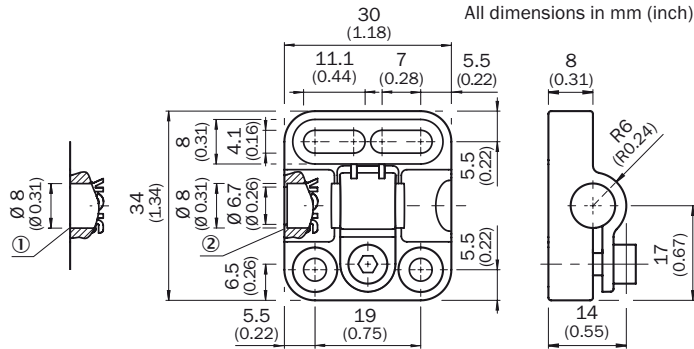
BEF-KH(F)-M08

Clamping and Alignment Brackets

Mounting clamp for cylindrical sensors (without mechanical stop/ with mechanical stop)

Dimensional drawing

Technical data



Material	Plastic (PA12), glass fiber reinf.
Delivery	incl. mounting material

Order information

Type	Order no.	Features
BEF-KH-M08	2051477	① without mechanical stop
BEF-KHF-M08	2051478	② with mechanical stop

IM08

IME08

MM08



Great Britain
Phone +44 (0)1727 83 11 21
E-Mail info@sick.co.uk

USA
Phone +1(952) 941-6780
tollfree+1-800-325-7425
E-Mail info@sickusa.com

Australia
Phone +61 3 9497 4100
tollfree+1800 33 48 02
E-Mail sales@sick.com.au

More representatives and agencies in all major industrial nations at www.sick.com

SICK
Sensor Intelligence.