



3-phase comm.link PKZM0..f.1 aux.cont.



Powering Business Worldwide™

Part no. B3.1/5-PKZ0
Article no. 044948

Program

Product range			Accessories
Accessories			Three-phase commoning link
			Protected against accidental contact, short-circuit proof, $U_e = 690\text{ V}$, $I_u = 63\text{ A}$ Can be extended by rotating by installation Attached on the right, for motor-protective circuit-breakers, with an auxiliary contact or trip-indicating auxiliary contact
Circuit-breaker		Number	5
Length		mm	261
Unit width		mm	45 + 9
Notes			
For parallel power feed to several motor-protective circuit-breakers on terminals 1, 3, 5			

Approbationen

UL approval	Yes
CSA approval	Yes
Product Standards	UL 508; CSA-C22.2 No. 14; IEC60947-4-1; CE marking
UL File No.	E36332
UL CCN	NLRV
CSA File No.	98494
CSA Class No.	3211-06
NA Certification	UL listed, CSA certified
Specially designed for NA	No

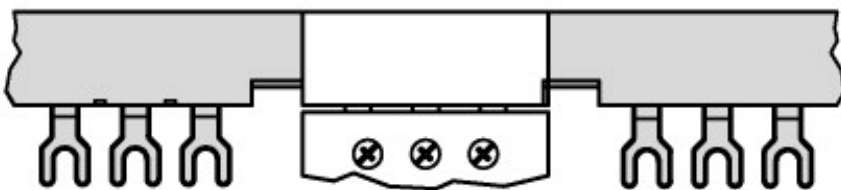
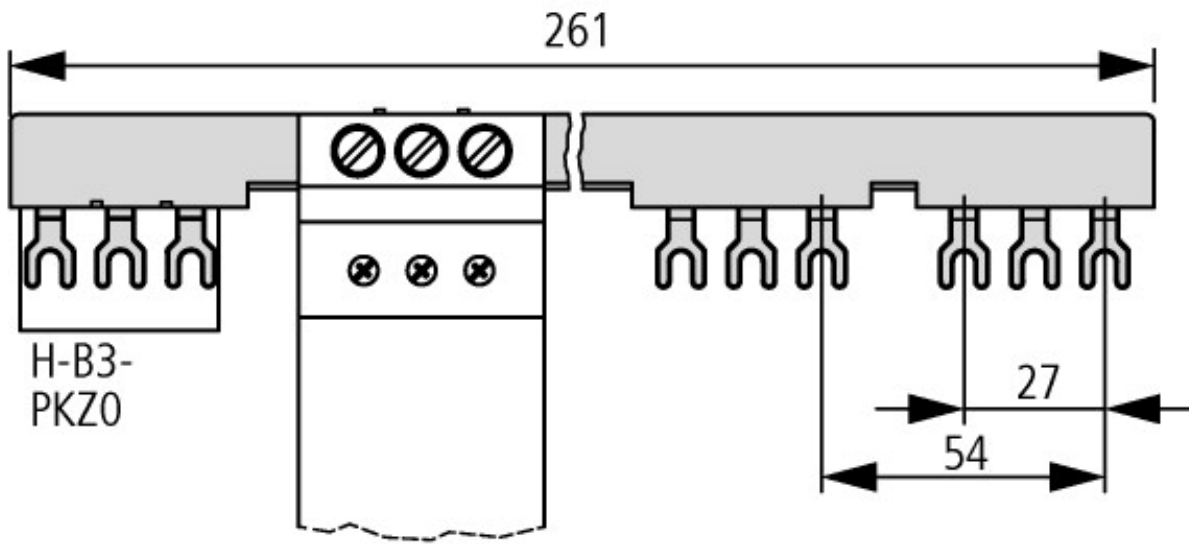
Main conducting paths

Rated impulse withstand voltage	U_{imp}	V AC	6000
Overvoltage category/pollution degree			III/3
Rated operational voltage	U_e	V AC	690
Rated uninterrupted current	I_u	A	63

Technical data according to ETIM 4.0

Insulated			YES
Number of phases			3
Cross-section		mm ²	0
Rated uninterrupted current I_u		A	63
Length		mm	261
Rated conditional short-circuit current I_q		kA	0
Rated impulse voltage		kV	6
Design of electrical connection			Fork connector
Rated short-time withstand current I_{cw}		kA	0
Suitable for devices with auxiliary contacts			No
Suitable for devices with neutral pole			No
Suitable for number of devices			2
Max. rated operating voltage U_e		V	690
Unit width		mm	54

Dimensions



Overlapping mounting to extend the three-phase commoning link

Three-phase commoning link

Additional product information (links)

AWA1210-2295 (IL03402013Z) Three-phase commoning link

ftp://ftp.moeller.net/DOCUMENTATION/AWA_INSTRUCTIONS/22950506.pdf

Motor starters and "Special Purpose Ratings" for the North American market

http://www.moeller.net/binary/ver_techpapers/ver953en.pdf

Busbar Component Adapters for modern Industrial control panels

http://www.moeller.net/binary/ver_techpapers/ver960en.pdf