



### 3-phase comm.link PKZM0..f.1 aux.cont.



Powering Business Worldwide™

**Part no.** B3.1/3-PKZ0  
**Article no.** 044946

#### Program

Product range			Accessories
Accessories			Three-phase commoning link
			Protected against accidental contact, short-circuit proof, $U_e = 690\text{ V}$ , $I_u = 63\text{ A}$ Can be extended by rotating by installation Attached on the right, for motor-protective circuit-breakers, with an auxiliary contact or trip-indicating auxiliary contact
Circuit-breaker		Number	3
Length		mm	153
Unit width		mm	45 + 9
<b>Notes</b>			
For parallel power feed to several motor-protective circuit-breakers on terminals 1, 3, 5			

#### Approbationen

UL approval	Yes
CSA approval	Yes
Product Standards	UL 508; CSA-C22.2 No. 14; IEC60947-4-1; CE marking
UL File No.	E36332
UL CCN	NLRV
CSA File No.	98494
CSA Class No.	3211-06
NA Certification	UL listed, CSA certified
Specially designed for NA	No

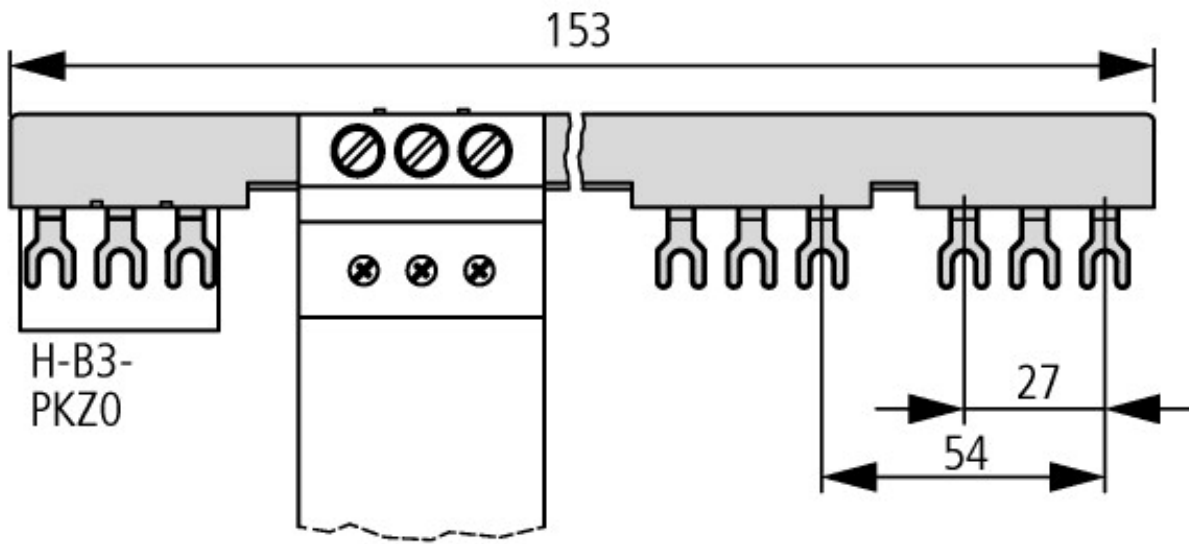
#### Main conducting paths

Rated impulse withstand voltage	$U_{imp}$	V AC	6000
Overvoltage category/pollution degree			III/3
Rated operational voltage	$U_e$	V AC	690
Rated uninterrupted current	$I_u$	A	63

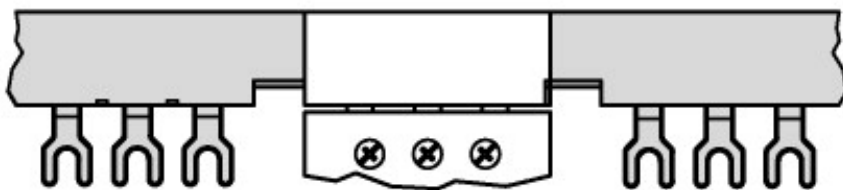
#### Technical data according to ETIM 4.0

Insulated			YES
Number of phases			3
Cross-section		mm <sup>2</sup>	0
Rated uninterrupted current $I_u$		A	63
Length		mm	153
Rated conditional short-circuit current $I_q$		kA	0
Rated impulse voltage		kV	6
Design of electrical connection			Fork connector
Rated short-time withstand current $I_{cw}$		kA	0
Suitable for devices with auxiliary contacts			No
Suitable for devices with neutral pole			No
Suitable for number of devices			2
Max. rated operating voltage $U_e$		V	690
Unit width		mm	54

#### Dimensions



H-B3-  
PKZ0



Overlapping mounting to extend the three-phase commoning link

Three-phase commoning link

#### Additional product information (links)

AWA1210-2295 (IL03402013Z) Three-phase commoning link

[ftp://ftp.moeller.net/DOCUMENTATION/AWA\\_INSTRUCTIONS/22950506.pdf](ftp://ftp.moeller.net/DOCUMENTATION/AWA_INSTRUCTIONS/22950506.pdf)

Motor starters and "Special Purpose Ratings" for the North American market

[http://www.moeller.net/binary/ver\\_techpapers/ver953en.pdf](http://www.moeller.net/binary/ver_techpapers/ver953en.pdf)

Busbar Component Adapters for modern Industrial control panels

[http://www.moeller.net/binary/ver\\_techpapers/ver960en.pdf](http://www.moeller.net/binary/ver_techpapers/ver960en.pdf)