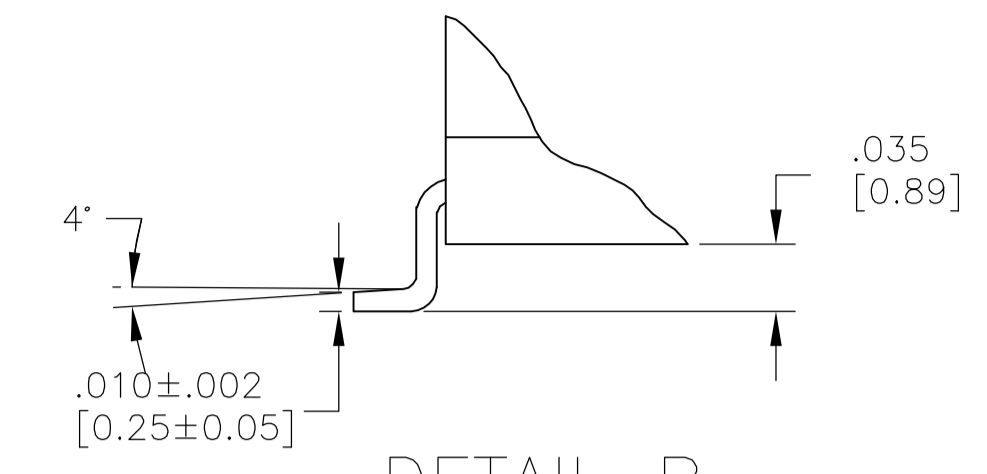
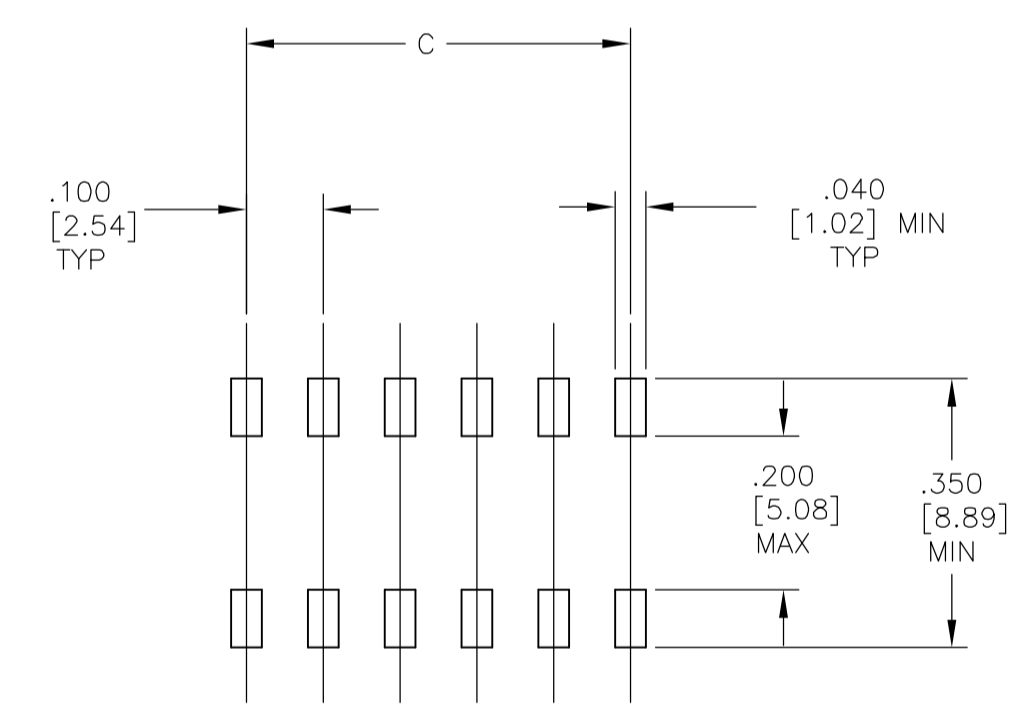
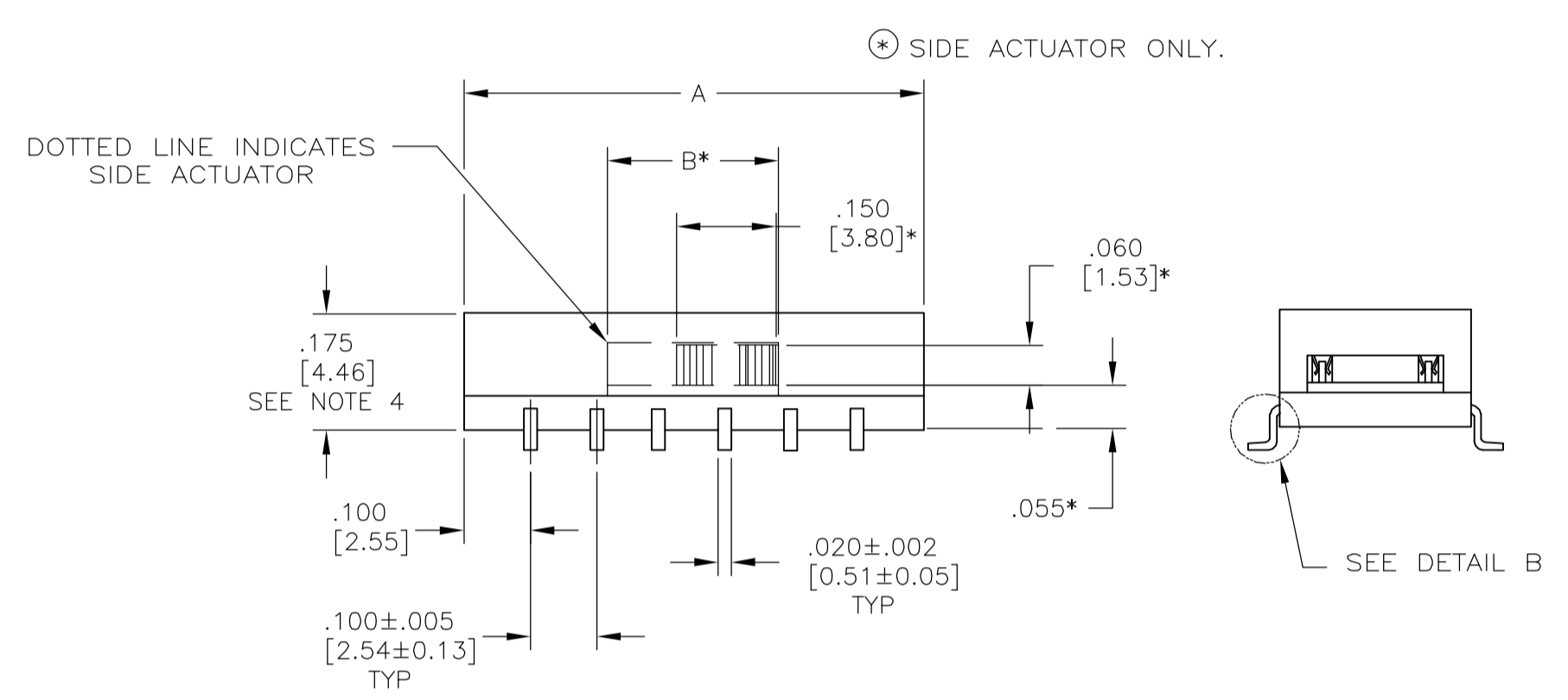
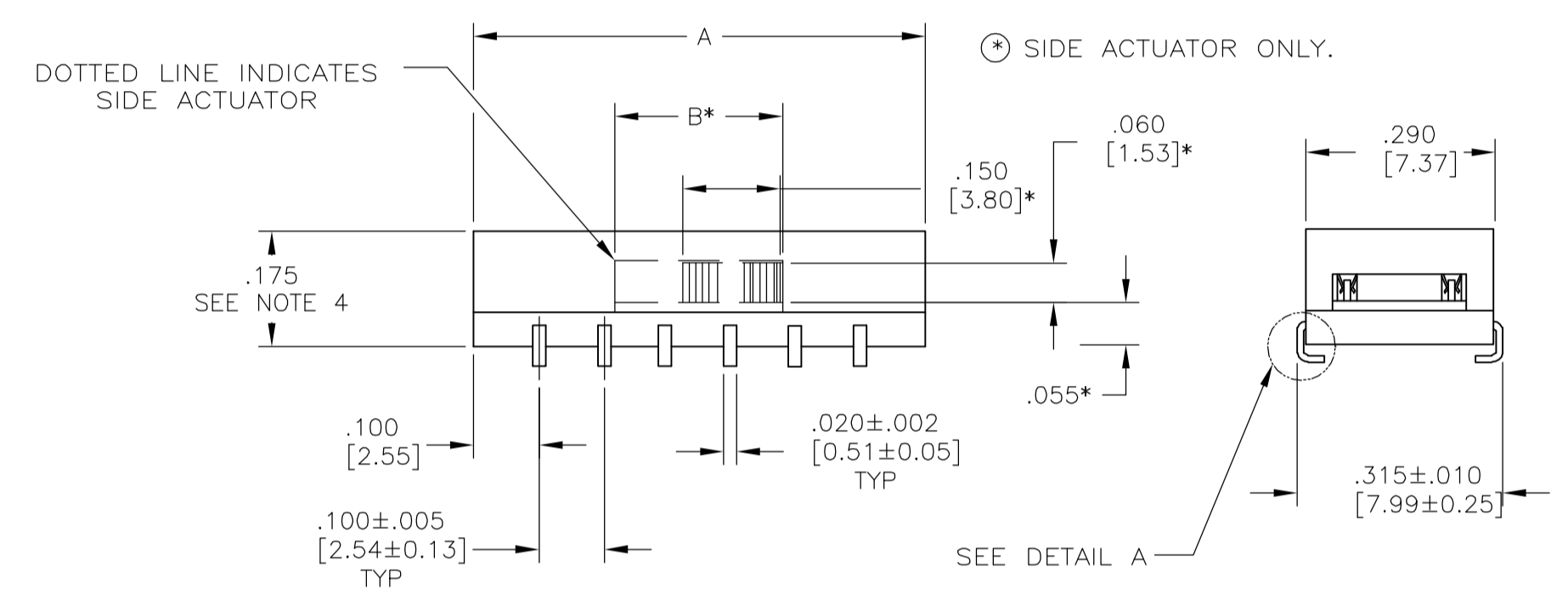


DETAIL A
SCALE 10:1

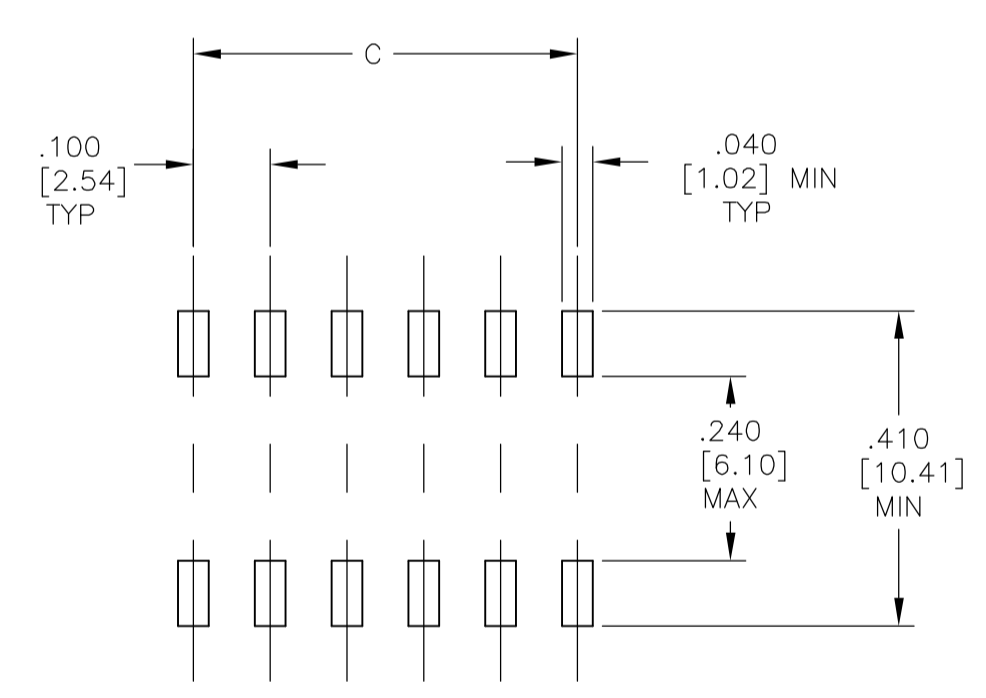


DETAIL B
SCALE 10:1



PRINTED CIRCUIT BOARD
PAD LAYOUT

"S" J-LEAD TYPE SURFACE MOUNT



PRINTED CIRCUIT BOARD
PAD LAYOUT

"L" GULL WING TYPE SURFACE MOUNT

THIS DRAWING IS A CONTROLLED DOCUMENT.		DIN B.S.VISWESWARA 20FEB05		Tyco Electronics Corporation Harrisburg, PA 17105-3608	
DIMENSIONS: INCHES [mm]		CHK M.S.SARVER 20FEB05		APVD M.S.SARVER 20FEB05	NAME SLIDE SWITCH ASF, AUTO-INSERTABLE, THRU-HOLE AND SURFACE MOUNT
TOLERANCES UNLESS OTHERWISE SPECIFIED:		PRODUCT SPEC		APPLICATION SPEC	
0 PLC ± - 1 PLC ± - 2 PLC ± - 3 PLC ± .01(0.25) 4 PLC ± ± 1° ANGLES ± ± 1°		SIZE A1		CAGE CODE 00779	
MATERIAL SEE SHEET 1		WEIGHT -		DRAWING NO 1825011	
CUSTOMER DRAWING		SCALE 4:1		SHEET 2 OF 2	