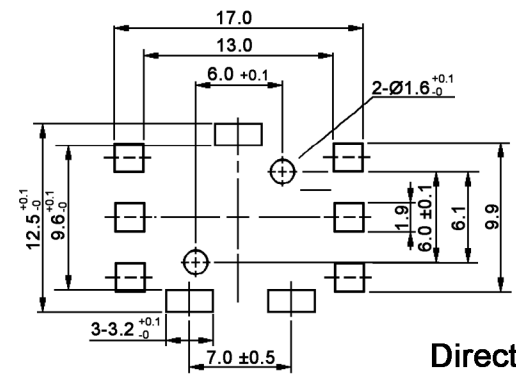
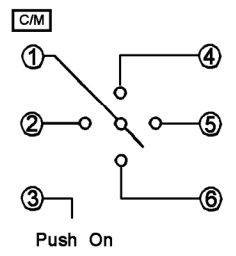


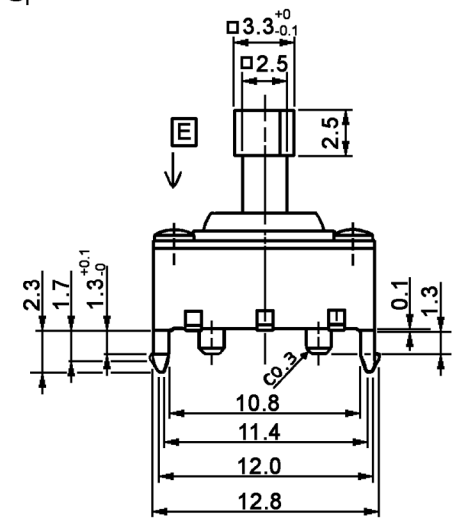
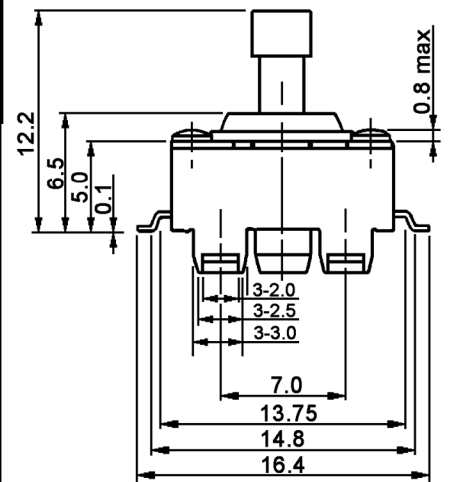
CIRCUIT DIAGRAM



Direction

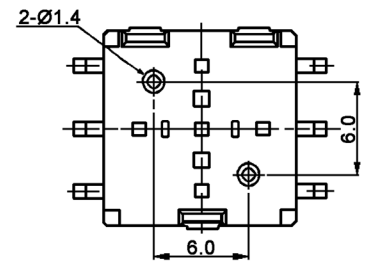
Connection

- A 1 = 4
- B 1 = 2
- C 1 = 6
- D 1 = 5
- E (push) 1 = 3



Specification:

- Contact rating: 15V DC, 20mA
- Contact resistance: 100mOhm max
- Insulation resistance: 100MOhm min
- Dielectric strength: 100V AC for the duration of 1 minute
- Operating temperature: -25°C to +70°C
- Operating force: center push: 500gf ±150gf
4-directional: 280gf ±100gf
- Operating travel: lever: 8° ±2°
push: 1.0 ±0.2 mm



Maßstab	Datum	Name
Oberfläche	Bearb. 06/04	US
	Gepr.	
	Norm	
Packaging	11/05	dr
Zust.	Änderung	Datum Name

TSSJ 30

30 04 61

Blatt
1/2 Bl.

knitter-switch

