



## THE PRODUCT

The fast and simple locking capability onto standardised rails complying with DIN EN 60 715 TH35 characterises the RAILTEC B family of cases.

Different top parts make the case into a versatile and rational connection system.

When using terminals, the individual conductors can be connected and disconnected while the case is closed.

The connector lead avoids wiring faults when devices are exchanged during regular servicing.

## YOUR ADVANTAGE

6 sizes following DIN 43 880, unit 1.

Different termination options each for commercial components like

- terminals
- PCB plug headers
- front connectors

Optionally 1 or 2 connection levels for case version VI; individual configuration with system components – according to need. Terminal guards in the higher versions give more room in the enclosures and a bigger surface to mill for bigger terminals.

Without/with ventilation slots for good heat removal.

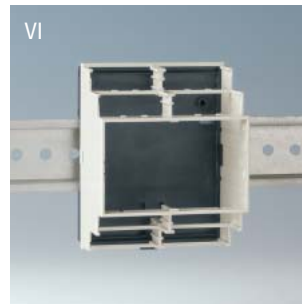
Flexible assembly. PCB positioning in all 3 directions: Base part with fixing pillars, top parts with guiding ridges.

Transparent lid protects display and operation elements.

Locking clip preassembled in base part.

## APPLICATIONS

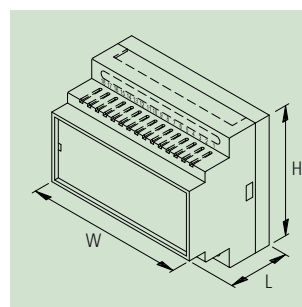
Universal use as installation case. Fully insulated and protected according to VBG4 as well as IEC 529/ DIN VDE 0470-1. Corresponding to the regulations of the machine-building and motorcar industry. Especially for the control techniques.



Two coloured

Top  
(terminal guards & partition  
plate of case version VI)  
Light grey, RAL 7035

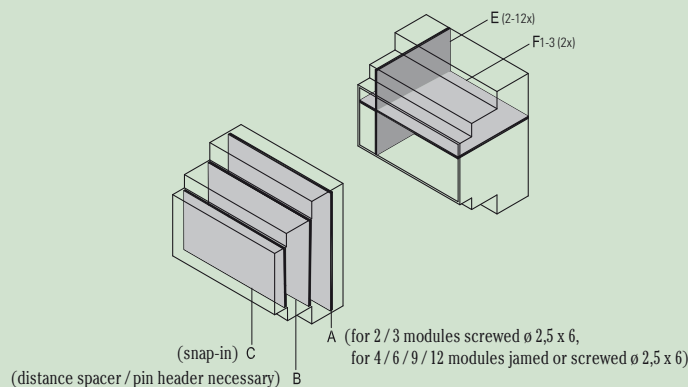
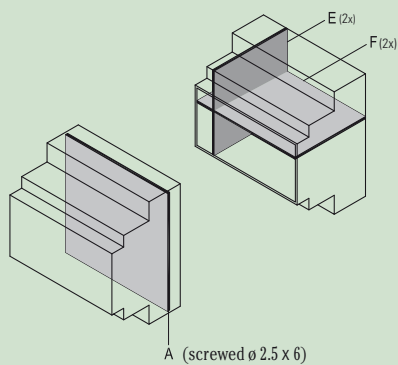
Base, clip  
Black, RAL 9005



## ENCLOSURES\*1

RAILTEC B	Outside dim. in mm			Version / Equipment		without ventilation slots	with ventilation slots
	W	H	L	termination options			
2 modules	35	86	58	I	terminal blocks 5.0/5.08 (10 terminals max.)	B 65 01 111	B 65 01 114
	35	86	58	II	plug header (2 x 5-poles) blocks 5.0/5.08	B 65 01 112	B 65 01 115
	35	86	58	III	closed case, e.g. for front connectors, SUB-D-connectors, etc.	B 65 01 113	B 65 01 116
	35	86	58	IV	terminal blocks 5.0/5.08 (5 terminals max., at the bottom only)	B 65 01 117	B 65 01 118
	35	86	58	V	perforation for max. 10 terminal blocks or 2 plug headers 5-poles*2	B 65 01 110	B 65 01 119
	35	90	58	VI	individual configuration see accessories (terminal guards / partition plate)	B 65 01 121	
3 modules	52	90	58	VI	individual configuration see accessories (terminal guards / partition plate)	B 65 02 121	
4 modules	70	86	58	I	terminal blocks 5.0/5.08 (24 terminals max.)	B 65 03 111	B 65 03 114
	70	86	58	II	plug header (2 x 12-poles) blocks 5.0/5.08	B 65 03 112	B 65 03 115
	70	86	58	III	closed case, e.g. for front connectors, SUB-D-connectors, etc.	B 65 03 113	B 65 03 116
	70	86	58	IV	terminal blocks 5.0/5.08 (12 terminals max., at the bottom only)	B 65 03 117	B 65 03 118
	70	86	58	V	perforation for max. 24 terminal blocks or 2 plug headers 12-poles*2	B 65 03 110	B 65 03 119
	70	90	58	VI	individual configuration see accessories (terminal guards / partition plate)	B 65 03 121	
6 modules	105	86	58.5	I	terminal blocks 5.0/5.08 (36 terminals max.)	B 65 04 111	B 65 04 114
	105	86	58.5	II	plug header (2 x 18-poles) blocks 5.0/5.08	B 65 04 112	B 65 04 115
	105	86	58.5	III	closed case, e.g. for front connectors, SUB-D-connectors, etc.	B 65 04 113	B 65 04 116
	105	86	58.5	IV	terminal blocks 5.0/5.08 (18 terminals max., at the bottom only)	B 65 04 117	B 65 04 118
	105	86	58.5	V	perforation for max. 36 terminal blocks or 2 plug headers 18-poles*2	B 65 04 110	B 65 04 119
	105	90	58	VI	individual configuration see accessories (terminal guards / partition plate)	B 65 04 121	
9 modules	157	86	58.5	I	terminal blocks 5.0/5.08 (52 terminals max.)	B 65 05 111	B 65 05 114
	157	86	58.5	II	plug header (4 x 13-poles) blocks 5.0/5.08	B 65 05 112	B 65 05 115
	157	86	58.5	III	closed case, e.g. for front connectors, SUB-D-connectors, etc.	B 65 05 113	B 65 05 116
	157	86	58.5	IV	terminal blocks 5.0/5.08 (26 terminals max., at the bottom only)	B 65 05 117	B 65 05 118
	157	86	58.5	V	perforation for max. 52 terminal blocks or 4 plug headers 13-poles*2	B 65 05 110	B 65 05 119
	157	90	58	VI	individual configuration see accessories (terminal guards / partition plate)	B 65 05 121	
12 modules	210	90	58	VI	individual configuration see accessories (terminal guards / partition plate)	B 65 06 121	

## MAX. SIZE OF PCB



For enclosure RAILTEC B	Versions I - V (each 1.6 mm thick)			Version VI (each 1.6 mm thick)						
	A	E*3	F	A*3	B*3	C	E*3	F1*4	F2*4	F3*4
2 modules	29.4 x 82	41.5 x 56.6	41.5 x 31	29.4 x 82	31.5 x 62.2	31.4 x 41.7	62.5 x 40.4	32.5 x 40.5	32.5 x 35.5	32.5 x 18
3 modules	—	—	—	46.7 x 82	49 x 62.2	48.8 x 41.7	62.5 x 40.4	50 x 40.5	50 x 35.5	50 x 18
4 modules	64 x 82	41.5 x 56.6	41.5 x 66.5	64 x 82	66.5 x 62.2	66.3 x 41.7	62.5 x 40.4	67.5 x 40.5	67.5 x 35.5	67.5 x 18
6 modules	99.2 x 82.4	41.5 x 56.6	41.5 x 101	99.2 x 82.4	101.5 x 62.2	101.3 x 41.7	62.5 x 40.4	102.5 x 40.5	102.5 x 35.5	102.5 x 18
9 modules	151.2 x 82.4	41.5 x 56.6	41.5 x 153	151.2 x 82.4	154 x 62.2	153.8 x 41.7	62.5 x 40.4	155 x 40.5	155 x 35.5	155 x 18
12 modules	—	—	—	204.2 x 82	206.5 x 62.2	206.3 x 41.7	62.5 x 40.4	207.5 x 40.5	207.5 x 35.5	207.5 x 18

\*1 material: base parts PPO (UL 94 V-0), top parts PC (UL 94 V-0)

\*2 block 5.0; the perforations can be separated quickly and easily

\*3 cutouts not taken into consideration

\*4 max. size of PCB

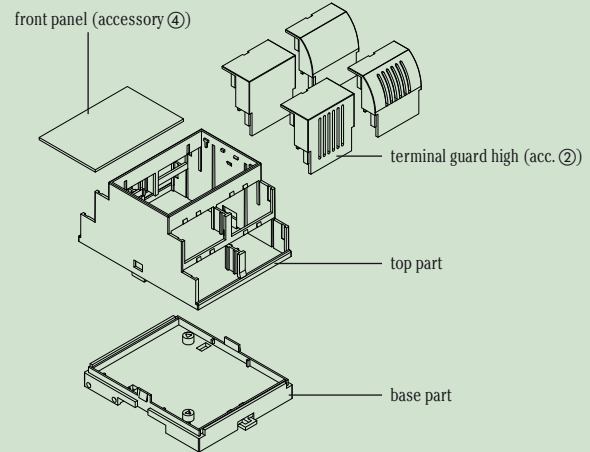
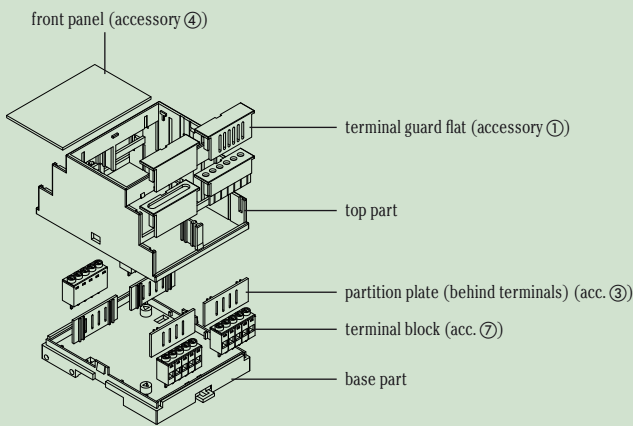
F1: without PCBs B and C

F2: without PCB B, with PCB C

F3: with PCBs B and C

NEW VERSIONS

## INDIVIDUAL CONFIGURATION VERSION VI



Make up your own individual RAILTEC B version VI **online** ([www.okw.com](http://www.okw.com)).  
Simply click on the desired case module and select the necessary articles using the configurator (eDrawing).

### ACCESSORIES

Part-No.	Article	Type	For enclosure RAILTEC B (version VI)	Version / Equipment	
B 66 07 140	① Terminal guards flat  max. number each case: 4 pcs – 2 / 3 modules 8 pcs – 4 / 6 modules 12 pcs – 9 modules 16 pcs – 12 modules	closed	2 / 4 modules (VI)	– PC (UL 94 V-0), light grey, 1 pc	
B 66 08 140			3 / 6 / 9 / 12 modules (VI)	– PC (UL 94 V-0), light grey, 1 pc	
B 66 07 141		with ventilation slots	2 / 4 modules (VI)	– PC (UL 94 V-0), light grey, 1 pc	
B 66 08 141			3 / 6 / 9 / 12 modules (VI)	– PC (UL 94 V-0), light grey, 1 pc	
B 66 07 142		for terminal blocks, block 5.0	2 / 4 modules (VI)	6 PC (UL 94 V-0), light grey, 1 pc	
B 66 08 142			3 / 6 / 9 / 12 modules (VI)	9 PC (UL 94 V-0), light grey, 1 pc	
B 66 07 143		perforated, block 5.0	2 / 4 modules (VI)	6 PC (UL 94 V-0), light grey, 1 pc	
B 66 08 143			3 / 6 / 9 / 12 modules (VI)	9 PC (UL 94 V-0), light grey, 1 pc	
B 66 07 160		② Terminal guards high  max. number each case: 2 pcs – 2 / 3 modules 4 pcs – 4 / 6 modules 6 pcs – 9 modules 8 pcs – 12 modules	closed	2 / 4 modules (VI)	– PC (UL 94 V-0), light grey, 1 pc
B 66 08 160				3 / 6 / 9 / 12 modules (VI)	– PC (UL 94 V-0), light grey, 1 pc
B 66 07 161			with ventilation slots	2 / 4 modules (VI)	– PC (UL 94 V-0), light grey, 1 pc
B 66 08 161				3 / 6 / 9 / 12 modules (VI)	– PC (UL 94 V-0), light grey, 1 pc
B 66 07 162			convex, closed	2 / 4 modules (VI)	– PC (UL 94 V-0), light grey, 1 pc
B 66 08 162	3 / 6 / 9 / 12 modules (VI)			– PC (UL 94 V-0), light grey, 1 pc	
B 66 07 163	convex, with ventilation slots		2 / 4 modules (VI)	– PC (UL 94 V-0), light grey, 1 pc	
B 66 08 163			3 / 6 / 9 / 12 modules (VI)	– PC (UL 94 V-0), light grey, 1 pc	
B 66 07 191	③ Partition plate max. number each case: 2 pcs – 2 / 3 modules; 4 pcs – 4 / 6 modules; 6 pcs – 9 mod.; 8 pcs – 12 mod.		with ventilation slots	2 / 4 modules (VI)	PC (UL 94 V-0), light grey, 1 pc separates the electronic and terminal area when used without terminal guard (undermost level), connections externally accessible
B 66 08 191				3 / 6 / 9 / 12 modules (VI)	

Version (PC UL 94 V-0)			Article	For enclosure RAILTEC B (version VI)	Dim. in mm
light grey	red transparent	smoked glass			
B 66 01 180	B 66 01 480	B 66 01 580	④ Front panel	2 modules (VI)	42 x 32
B 66 02 180	B 66 02 480	B 66 02 580		3 modules (VI)	42 x 49
B 66 03 180	B 66 03 480	B 66 03 580		4 modules (VI)	42 x 67
B 66 04 180	B 66 04 480	B 66 04 580		6 modules (VI)	42 x 102
B 66 05 180	B 66 05 480	B 66 05 580		9 modules (VI)	42 x 154
B 66 06 180	B 66 06 480	B 66 06 580		12 modules (VI)	42 x 206

Part-No.	Article	For enclosure RAILTEC B	Version
B 66 01 100	⑤ Lid	2 modules	PC (UL 94 V-0), transparent, 1 pc
B 66 02 100		3 modules	PC (UL 94 V-0), transparent, 1 pc
B 66 03 100		4 modules	PC (UL 94 V-0), transparent, 1 pc
B 66 04 100		6 modules	PC (UL 94 V-0), transparent, 1 pc
B 66 05 100		9 modules	PC (UL 94 V-0), transparent, 1 pc
B 66 06 100		12 modules	PC (UL 94 V-0), transparent, 1 pc
B 66 00 334		⑥ Wall suspension element	for all case sizes

## ACCESSORIES

Article	For enclosure RAILTEC B	Version / Application			Part-No.
		poles	max. cable ø	max. number each case	
⑦ Terminal block, block 5.0 PC (UL 94 V-0)	2 modules	5	2,5 mm <sup>2</sup>	2 pcs for versions I + V or 1 pc for version IV	B 66 01 111
	2 / 4 modules	6	2,5 mm <sup>2</sup>	4 / 8 pcs for version VI	B 66 07 111
	3 / 6 / 9 / 12 modules	9	2,5 mm <sup>2</sup>	4 / 8 / 12 / 16 pcs for version VI	B 66 08 111
	4 modules	12	2,5 mm <sup>2</sup>	2 pcs for versions I + V or 1 pc for version IV	B 66 03 111
	6 modules	18	2,5 mm <sup>2</sup>	2 pcs for versions I + V or 1 pc for version IV	B 66 04 111
	9 modules	13	2,5 mm <sup>2</sup>	4 pcs for versions I + V or 2 pcs for version IV	B 66 05 111
	for all width	36	2,5 mm <sup>2</sup>	for versions I, V, IV + VI, for cutting into sections	B 66 00 111
	⑧ Plug header "PCB", block 5.08 PA 68 (UL 94 V-0)	2 modules	5	2,5 mm <sup>2</sup>	2 pcs for versions II + V
	2 / 4 modules	6	2,5 mm <sup>2</sup>	4 / 8 pcs for version VI	B 66 08 222
	3 / 6 / 9 / 12 modules	9	2,5 mm <sup>2</sup>	4 / 8 / 12 / 16 pcs for version VI	B 66 02 222
	4 modules	12	2,5 mm <sup>2</sup>	2 pcs for versions II + V	B 66 03 222
	6 modules	18	2,5 mm <sup>2</sup>	2 pcs for versions II + V	B 66 04 222
	9 modules	13	2,5 mm <sup>2</sup>	4 pcs for versions II + V	B 66 05 222
	⑨ Plug header "plug", block 5.08 PA 68 (UL 94 V-0)	2 modules	5	2,5 mm <sup>2</sup>	2 pcs for versions II + V
	2 / 4 modules	6	2,5 mm <sup>2</sup>	4 / 8 pcs for version VI	B 66 08 223
	3 / 6 / 9 / 12 modules	9	2,5 mm <sup>2</sup>	4 / 8 / 12 / 16 pcs for version VI	B 66 02 223
	4 modules	12	2,5 mm <sup>2</sup>	2 pcs for versions II + V	B 66 03 223
	6 modules	18	2,5 mm <sup>2</sup>	2 pcs for versions II + V	B 66 04 223
	9 modules	13	2,5 mm <sup>2</sup>	4 pcs for versions II + V	B 66 05 223



NEW VERSIONS