

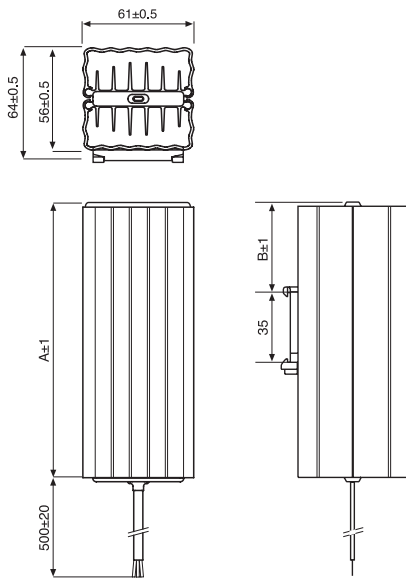
“RAC” HEATERS WITH CABLE

Description: 45/60/80/100/150 W

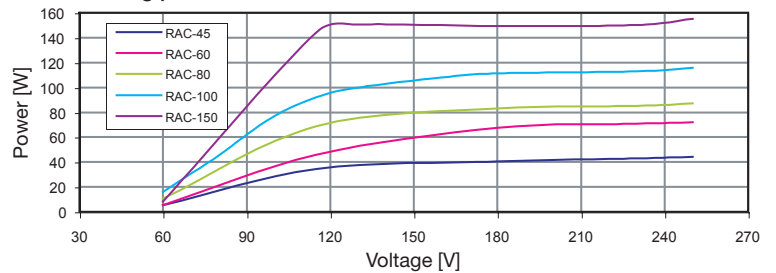


- Heating element:** PTC thermistor, self regulating
- Heat sink:** black anodised extruded aluminium profile
- Method of mounting:** snap-on fixing on RAIL 35 mm
DIN 46 277/3 EN 50 022
- Rated temp. range:** from -30°C to +40°C
- Storage temp. range:** from -40°C to +90°C
- Protection degree by heaters:** IP50
- Electrical connection:** by 3 poles cable L-N-PE
- External cable:** 3x20AWG cable with PFA sheath 500 mm length
- Appliance class:** class I
- Over voltage categories:** III as IEC 60664-1 standard
- Rated voltage:** 230 V a.c./d.c.
- Rated voltage range:** 110-250 V a.c./d.c.
- Rated frequency:** 50/60 Hz
- Max voltage:** 265 V a.c./d.c.
- Operating temperature:** from -10°C to +60°C
- Applicable standard:** EN 60335-1
- Approvals:** CE

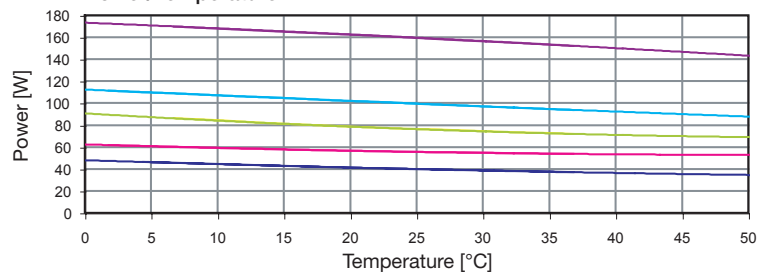
technical drawing



Heating performance



Power/Temperature



Model	Dimensions		Heating Power*	Absorbed Current*	External Surface**	Internal Heat Sink**	Weight
	A [mm]	B [mm]					
RAC-45	102	34	45	200	70	90	0.28
RAC-60	102	34	60	260	85	105	0.28
RAC-80	152	58	80	390	90	110	0.40
RAC-100	152	58	100	475	105	130	0.40
RAC-150	227	95	150	770	125	145	0.59

* The above values of heating power, absorbed power and temperature, were obtained at 230 Va.c. 50Hz and at ambient temperature condition of 15±5°C after a working of 10 minutes. These values have an uncertainty of 10%.

** Temperatures have been obtained after a working of 10 minutes at ambient temperature condition of 23.5°C.

All specifications, data and drawing are subject to change without notice and are approximate. Please refer to our terms of sales including our warranty and limited liabilities clauses.