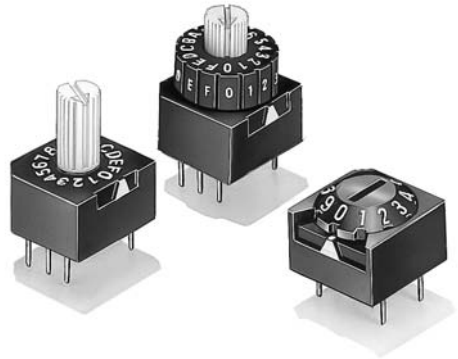


DIP Switch (Rotary Type) – A6A

Select the Right Rotary DIP Switch for the Type of Operation

- ROHS compliant.
- Series includes a standard type that can be operated from the top or side, an extended shaft type that can be operated while mounted on a panel, and a flat type.
- A slider lock and rotating PCB system ensure stable contact reliability.
- Completely sealed construction prevents flux entry during automatic flow soldering.



Ordering Information

No. of Switching positions	Type (rotor color)	Standard type (Black)	Flat type (White)	Extended shaft type (White)	Thumbwheel (Shaft = White Wheel = Black)
	Appearance				
	Output code				
10	BCD/hexadecimal 1-2-4-8 code	A6A-10R	A6A-10RF	A6A-10RS	A6A-10RW
	BCD/hexadecimal 1-2-4-8 complement code	A6A-10C	A6A-10CF	A6A-10CS	A6A-10CW
16	BCD/hexadecimal 1-2-4-8 code	A6A-16R	A6A-16RF	A6A-16RS	A6A-16RW
	BCD/hexadecimal 1-2-4-8 complement code	A6A-16C	A6A-16CF	A6A-16CS	A6A-16CW

Note 1: Contact your OMRON sales representatives to request special markings or designations.
Note 2: The standard packing configuration is units of 100 per box.

Specifications

■ Rating/Characteristics

Switching capacity	1 mA to 0.1 A at 5 to 28 VDC, at 60% maximum (switching current)
Ambient temperature	Operating: -10 to 70°C, at 60% maximum (no icing)
Ambient humidity	85% max. (for +5°C to 35°C)
Insulation resistance	10 MΩ min. (at 250 VDC)
Contact resistance	200 mΩ max. (initial value)
Dielectric strength	500 VAC at 50/60 Hz for 1min between ground and the charging plate 250 VAC at 50/60 Hz for 1min between terminals of the same polarity
Vibration resistance	Malfunction: 10 to 55 Hz, 1.5 mm double amplitude
Shock resistance	Malfunction: 300 m/s ² min.
Life expectancy	Mechanical: 10,000 steps min Electrical: 2,000 steps min.
Operating force	1.18 to 2.45 x 10 ⁻² N·m
Weight	Approx. 0.75g for the A6A-10R

■ 10-position Models

Position	Type Terminal No.	BCD/hexadecimal 1-2-4-8 code				BCD/hexadecimal 1-2-4-8 complement code			
		1	2	4	8	1	2	4	8
0						•	•	•	•
1		•					•	•	•
2			•			•		•	•
3		•	•					•	•
4				•		•	•		•
5		•		•			•		•
6			•	•		•			•
7		•	•	•					•
8					•	•	•	•	
9		•			•		•	•	

■ 16-position Models

Position	Type Terminal No.	BCD/hexadecimal 1-2-4-8 code				BCD/hexadecimal 1-2-4-8 complement code			
		1	2	4	8	1	2	4	8
0						•	•	•	•
1		•					•	•	•
2			•			•		•	•
3		•	•					•	•
4				•		•	•		•
5		•		•			•		•
6			•	•		•			•
7		•	•	•					•
8					•	•	•	•	
9		•			•		•	•	
A			•		•	•		•	
B		•	•		•			•	
C				•	•	•	•		
D		•		•	•		•		
E			•	•	•	•			
F		•	•	•	•				

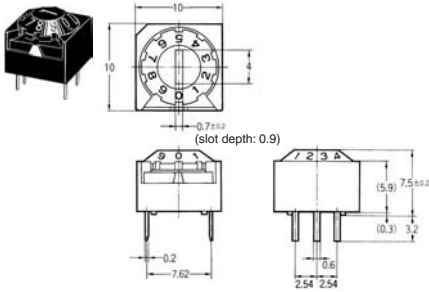
Note: '•' indicates that the internal switch is ON.

DIP Switch (Rotary Type) – A6A

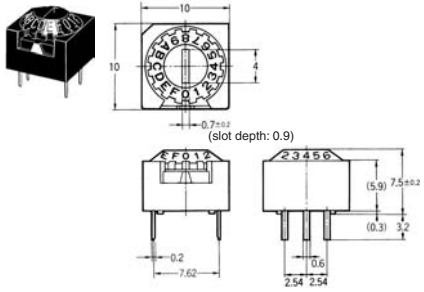
Dimensions

Note 1: All units are in millimetres unless otherwise indicated.

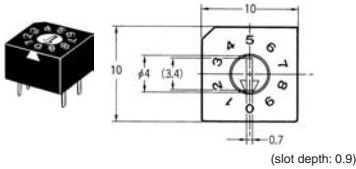
Standard Type, 10 Positions A6A-10R, A6A-10C



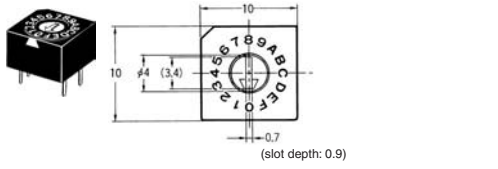
Standard Type, 16 Positions A6A-16R, A6A-16C



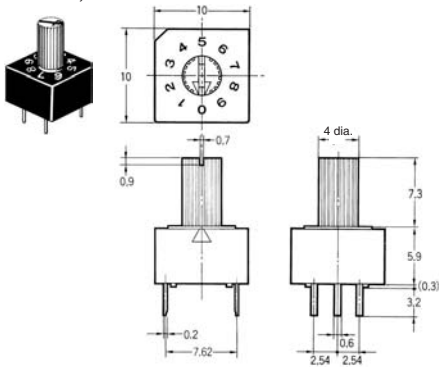
Flat Type, 10 Positions A6A-10RF, A6A-10CF



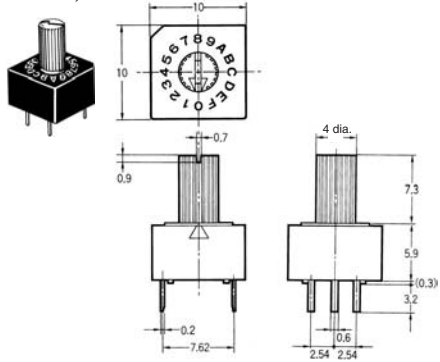
Flat Type, 16 Positions A6A-16RF, A6A-16CF



Extended Shaft Type, 10 Positions A6A-10RS, A6A-10CS

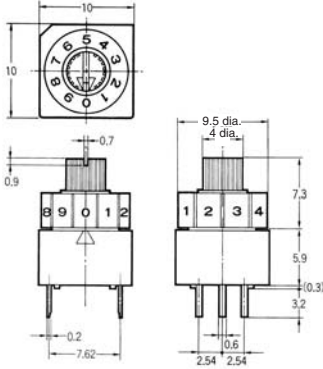


Extended Shaft Type, 16 Positions A6A-16RS, A6A-16CS

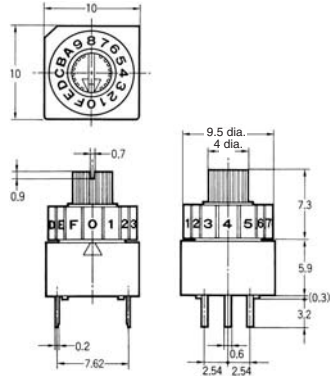
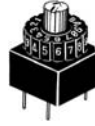


DIP Switch (Rotary Type) – A6A

Thumbwheel Type, 10 Positions A6A-10RW, A6A-10CW



Thumbwheel Type, 16 Positions A6A-16RW, A6A-16CW

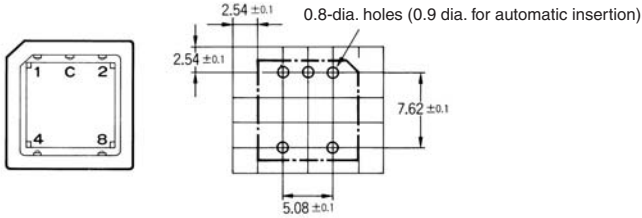


Installation

Internal Connections (Top View)

Terminal arrangement
(bottom view)

Mounting holes
(top view)



ALL DIMENSIONS SHOWN ARE IN MILLIMETRES.

To convert millimetres into inches, multiply by 0.03937. To convert grams into ounces, multiply by 0.03527.