

# Rocker Switch



## Single Pole

TR Series

### Features

- Lighted & non-lighted versions available
- Maintained and momentary action
- 16 A switching in 1 mm wide packaging
- RoHS compliant
- Minimum 10,000 operations mechanical life

### Standard Parts<sup>1</sup>

North America and Europe

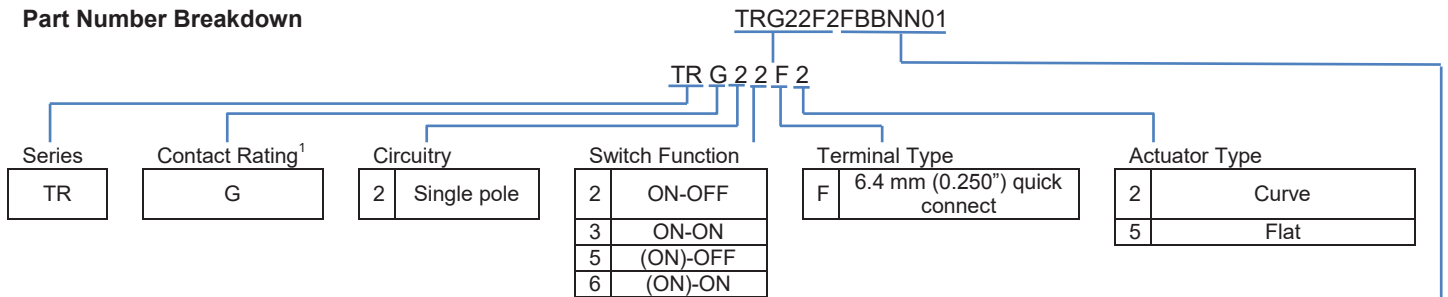
TRG22F2BBRLN TRG22F2FBBNN

Europe Only

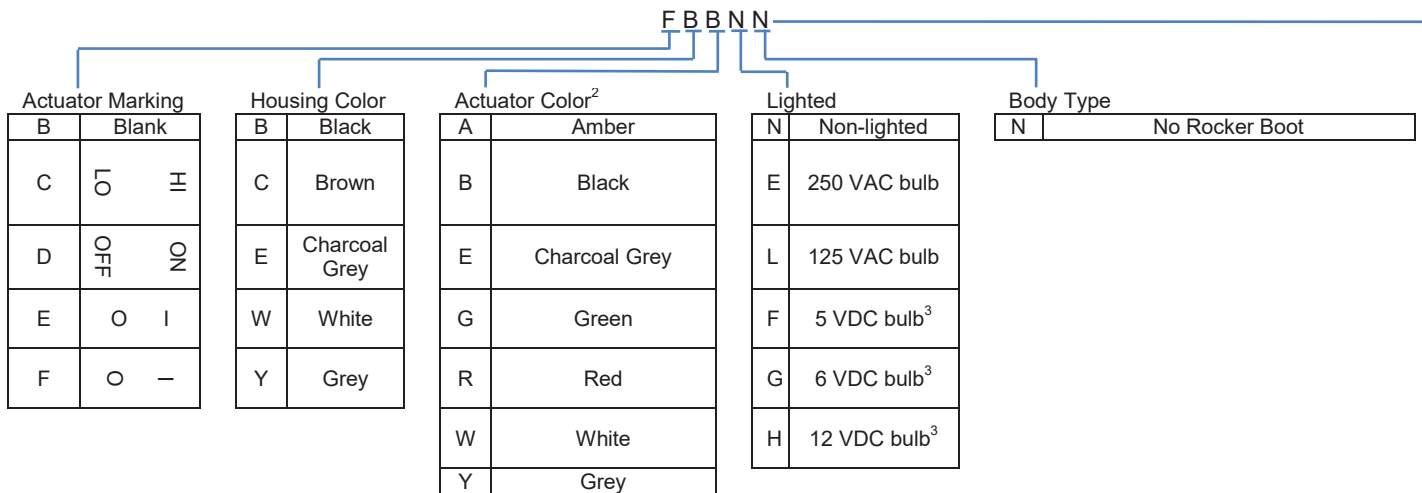
TRG22F2BBGEN TRG22F2BBGLN TRG22F2BBREN

<sup>1</sup>The part number configuration matrix below provides details to the part numbers above. For configurable part numbers that are not listed above, contact the factory or your distributor.

### Part Number Breakdown



<sup>1</sup>See Electrical Specifications section



<sup>2</sup>Charcoal Grey, White, Grey not available for illuminated actuator

<sup>3</sup>Switches have no agency DC ratings



## Electrical Specifications

Inrush Rating – 2 Position	48 A		
Inrush Rating – 3 Position	24 A		
Dielectric Strength	1000 VAC for 1 minute		
Insulation Resistance	100 MΩ min at 500 VDC		
Initial Contact Resistance	0.020 Ω max		
Switch Function:	EN61058-1 Rating:	UL General Purpose Rating:	UL HP Rating:
All	16 (4) A 250 VAC ~T85/55	16 A 125 VAC / 16 A 250 VAC	¼ HP 125 VAC / ¾ HP 250 VAC
Electrical Life at Rated Load:	VDE:	UL:	
Minimum Operations	10,000	6,000	
UL File No: E23301			

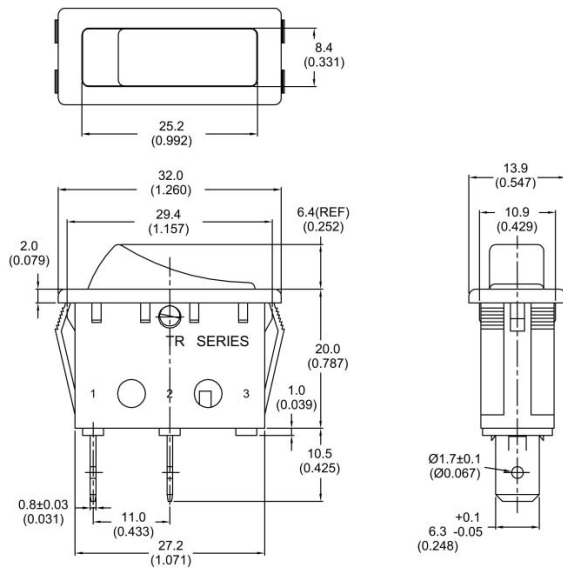
## Material and Environmental Specifications

Actuator, non-lighted	Nylon 66 94V-2
Actuator, lighted	Polycarbonate
Base	Nylon 66 94V-2
Spring	Steel Wire
Contacts	Silver Alloy
Movable Arm	Silver-Plated Copper Alloy
Terminals	Silver-Plated Copper Alloy
Operating Temperature Range	-20 °C to +85 °C (-4 °F to +185 °F)

## Circuitry and Switch Functions



## Dimensions mm (inches)



NOTE: TOLERANCES UNLESS OTHERWISE SPECIFIED: ± 0.3 (0.012)

Recommended Panel Cut-Out Dimensions

Panel thickness	X Dimension	Y Dimension
0.75 to 1.25 (0.030 to 0.049)	30.23 (1.19)	11.00 (0.433)
1.25 to 2.00 (0.049 to 0.079)	30.48 (1.20)	11.00 (0.433)
2.00 to 3.00 (0.079 to 0.118)	30.73 (1.21)	11.00 (0.433)

