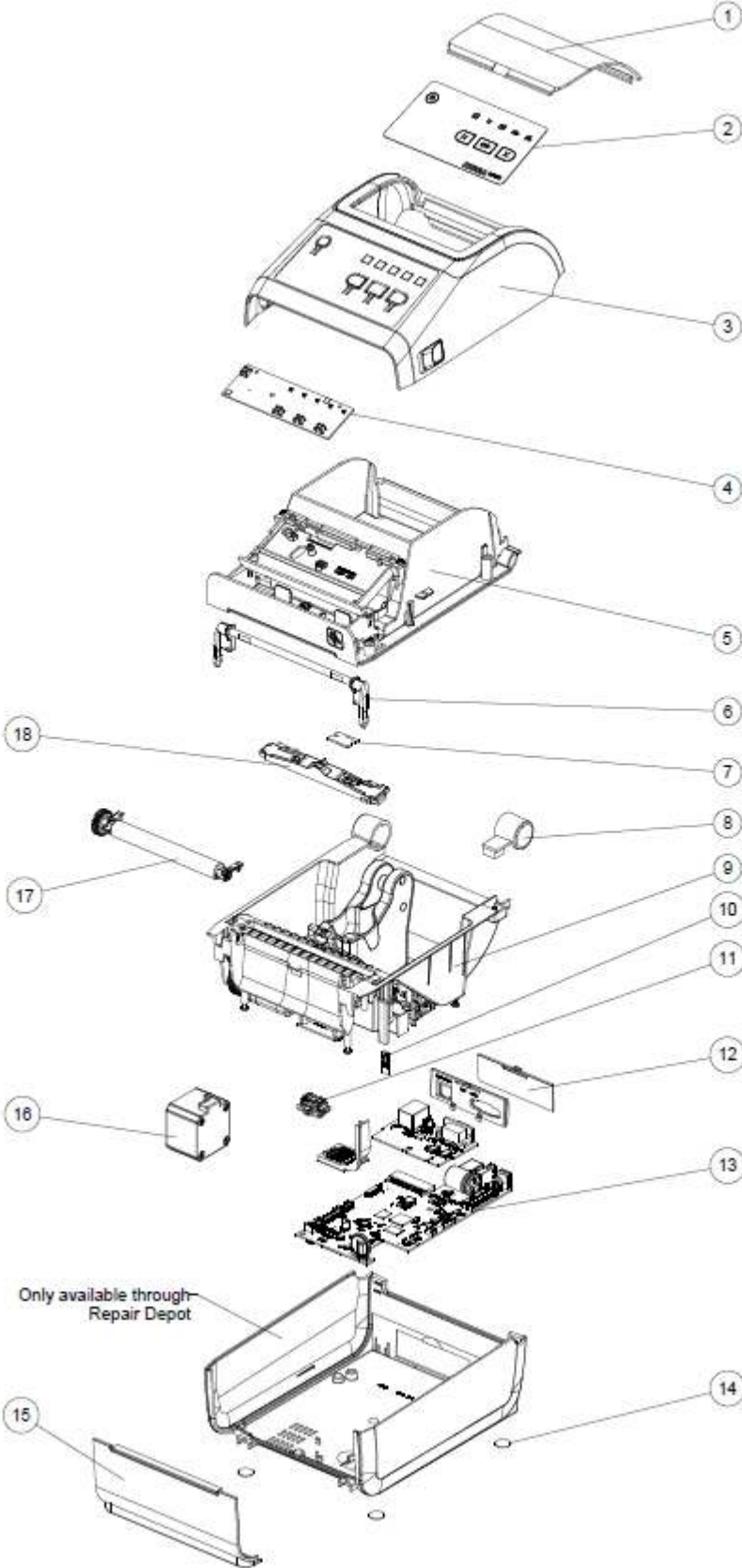


ZD621 Direct Thermal (203 & 300 DPI)



## Spare Parts List

### ZD621 Direct Thermal (203 & 300 DPI)

Item	Description	Part Number
1	Media Window	P1080383-400
2	Nameplate without LCD Nameplate with LCD	P1112640-034 P1112640-035
3	Cover Assembly for Gray Standard Models without LCD (includes Media Window) Cover Assembly for Gray Standard Models with LCD (includes Media Window) Cover Assembly for White Healthcare Models (includes Media Window)	P1112640-036 P1112640-037 P1112640-038
4	Control Panel PCBA without LCD Control Panel PCBA with LCD	P1112640-039 P1112640-040
5	Inner Lid for models without LCD (printhead not included) Inner Lid for models with LCD (printhead not included)	P1112640-041 P1112640-042
6	Latch Assembly	P1080383-407
7	Upper Media Sensor (Gap Sensor)	P1112640-009
8	Cover Hinge	P1079903-016
9	Print Mechanism 203dpi Print Mechanism 300dpi	P1112640-044 P1112640-045
10	Cover Open Sensor	P1112640-058
11	Lower Media Sensor (Blackline Sensor)	P1112640-012
12	Rear Bezels: Includes Bezels for Serial, Ethernet and WiFi (1 each)	P1112640-047
13	Main Logic Board, USB, USB Host, Bluetooth, Modular Connectivity Slot	P1112640-014
13A	Ethernet and Serial Combined Module	P1112640-048
	WiFi 802.11ac Wireless Module for USA and Canada	P1112640-017A
	WiFi 802.11ac Wireless Module for Japan	P1112640-017B
	WiFi 802.11ac Wireless Module for all countries except USA, Canada and Japan	P1112640-017C
14	Rubber Feet (set of 4)	P1080383-021
15	Front Bezel, Standard Front Bezel, Linerless (includes take label sensor)	P1112640-018 P1112640-032
16	Motor Assy 203dpi and 300dpi	P1080383-221
17	Platen Roller 203dpi (for media with a liner)	P1112640-061
	Platen Roller 300dpi (for media with a liner)	P1112640-062
	Linerless Media Platen Roller 203dpi	P1112640-063
	Linerless Media Platen Roller 300dpi	P1112640-064
	Bearings for the platen roller, Left & Right (10 each)	P1080383-224
18	203 dpi Printhead	P1112640-050
	300 dpi Printhead	P1112640-051
Not Shown	Cutter, 4", Full Cut for Lined Media	P1112640-030
	Cutter, 4", Full Cut for Linerless Media	P1112640-033
	Dispenser, Front Bezel	P1112640-031
	Media Core Adaptors, For 1.5", 2" & 3" diameter cores	P1079903-033
	Base Housing for Battery (When upgrading to battery power functionality, also order the P1080383-603 battery)	P1080383-601
	Battery for Desktop Printers (When upgrading to battery power functionality, also order the P1080383-601 battery housing)	P1080383-603
	Adapter bracket to enable mounting a ZD621D model in the same location as an existing GK420d model is currently mounted. Bracket allows usage of the GK420d mounting hole pattern to mount a ZD621D.	P1080383-423
	Packaging for shipping the printer	P1080383-424
	Replacement key for White Healthcare printers with a locking media cabinet (quantity of 5)	P1080383-406
	Replacement lock for White Healthcare printers with a locking media cabinet (includes 2 keys)	P1112640-023
	Power Supply Unattached, 75W, with US & Euro Cords for Gray Colored Standard Models	P1079903-026
	Power Supply Unattached, 75W, with US Cord, for White Colored Healthcare Models	P1079903-030
	Power Supply Attached, 75W (power cord not included)	P1080383-430

## Spare Parts List

### ZD621 Direct Thermal (203 & 300 DPI)

---

Item	Description	Part Number
Not Shown	Power Cord, U.S. 120V IEC320C13 (set of 5)	105950-014
	Power Cord, Euro 220V IEC320C13 (set of 5)	105950-015
	Power Cord, U.K. 240V IEC320C13 (set of 5)	105950-030
	Power Cord, Australia 240V IEC320C13 (set of 5)	105950-029
	Power Cord,China 220V C13 (set of 5)	105950-078
	Power Cord, Japan 125V JAPAN C13 (set of 5)	105950-079
	Power Cord, 220V Argentina C13 (set of 5)	105950-080
	Power Cord,10A NBR 14136, Brazil (set of 5)	P1033401
	Power Cord, C13, 10A, IEC Israel (set of 5)	P1061022-020
	Power Cord India, 10A, IS 1293, C13 (set of 5)	P1080829
	Power Cord, Taiwan, 125V, IEC320C13 (set of 5)	P1079903-035