

## XS112BLPBL2

inductive sensor XS1 M12 - L44mm - brass - Sn2mm  
- 12..24VDC - cable 2m



### Main

|                               |  |
|-------------------------------|--|
| Range of product              | OsiSense XS  |
| Series name                   | General purpose                                      |
| Sensor type                   | Inductive proximity sensor                           |
| Sensor name                   | XS1  |
| Sensor design                 | Cylindrical M12                                      |
| Size                          | 44 mm  |
| Body type                     | Fixed  |
| Enclosure material            | Nickel plated brass                                  |
| Type of output signal         | Discrete   |
| Wiring technique              | 3-wire   |
| [Sn] nominal sensing distance | 2 mm   |
| Discrete output function      | 1 NC   |
| Discrete output type          | PNP  |
| Electrical connection         | Cable  |
| Cable length                  | 2 m  |
| [Us] rated supply voltage     | 12...24 V DC with reverse polarity protection        |
| Switching capacity in mA      | <= 200 mA with overload and short-circuit protection |
| IP degree of protection       | IP67 conforming to IEC 60529                         |

### Complementary

|                                    |                               |
|------------------------------------|-------------------------------|
| ISO thread                         | M12 x 1                       |
| Detection face                     | Frontal                       |
| Detector flush mounting acceptance | Flush mountable               |
| Material                           | Metal                         |
| Front material                     | PBT                           |
| Operating zone                     | 0...1.6 mm                    |
| Differential travel                | 1...15% of Sr                 |
| Output circuit type                | DC                            |
| Cable composition                  | 3 x 0.14 mm <sup>2</sup>      |
| Wire insulation material           | PVC                           |
| Status LED                         | 1 LED yellow for output state |
| Supply voltage limits              | 10...36 V DC                  |
| Switching frequency                | <= 2500 Hz                    |
| Voltage drop                       | <= 2 V at closed state        |
| Current consumption                | <= 10 mA at no-load           |
| Delay first up                     | <= 15 ms                      |
| Delay response                     | <= 0.1 ms                     |
| Delay recovery                     | <= 0.15 ms                    |
| Marking                            | CE                            |
| Threaded length                    | 31 mm                         |
| Height                             | 12 mm                         |
| Length                             | 44 mm                         |
| Product weight                     | 0.07 kg                       |

### Environment

|                        |     |
|------------------------|-----|
| product certifications | CSA |
|------------------------|-----|

The information provided in this documentation contains general descriptions and/or technical characteristics of the products contained herein. This documentation is not intended as a substitute for and is not to be used for determining suitability or reliability of these products for specific user applications. It is the duty of any such user or integrator to perform the appropriate and complete risk analysis, evaluation and testing of the products with respect to the relevant specific application or use thereof. Neither Schneider Electric Industries SAS nor any of its affiliates or subsidiaries shall be responsible or liable for misuse of the information contained herein.

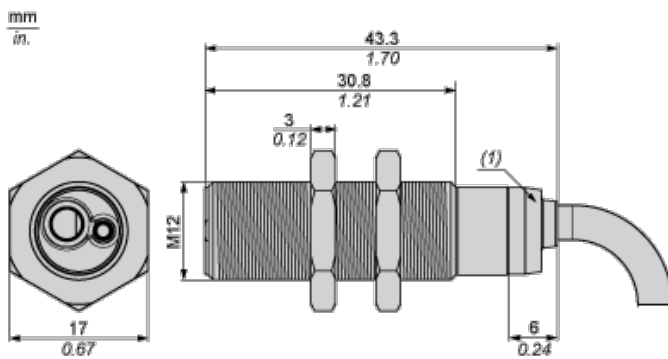
UL

|                                       |   |
|---------------------------------------|---|
| ambient air temperature for operation | -25...70 °C   |
| ambient air temperature for storage   | -40...85 °C   |
| vibration resistance                  | 25 gn amplitude = +/- 2 mm (f = 10...55 Hz) conforming to IEC 60068-2-6 |
| shock resistance                      | 50 gn for 11 ms conforming to IEC 60068-2-27                            |

### Offer Sustainability

|                                  |   |
|----------------------------------|---|
| Sustainable offer status         | Not Green Premium product   |
| RoHS (date code: YYWW)           | Compliant - since 0903 - Schneider Electric declaration of conformity |
| Product environmental profile    | Available   |
| Product end of life instructions | Available   |

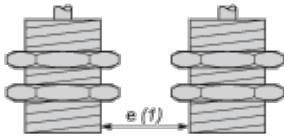
### Dimensions



(1) LED

### Minimum Mounting Distances

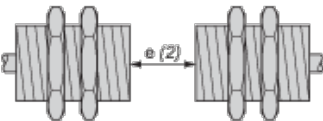
Side by side



e (1) 4 mm/0.16 in.

≥

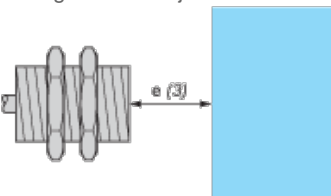
Face to face



e (2) 24 mm/0.94 in.

≥

Facing a metal object

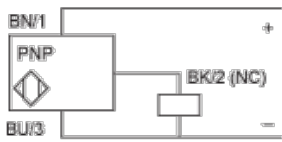


e (3) 6 mm/0.24 in.

≥

### Wiring Schemes

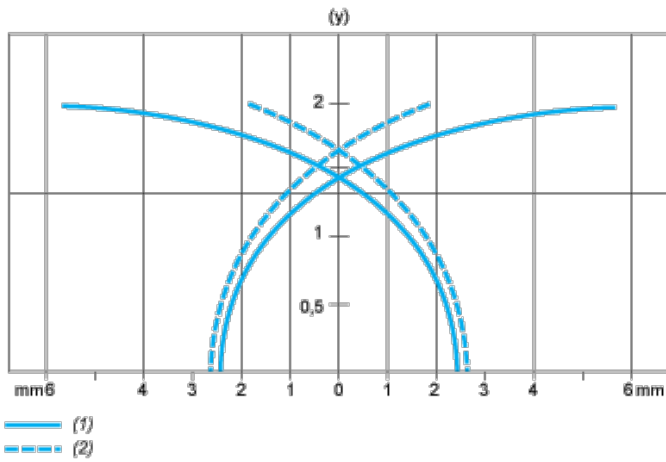
PNP



BU : Blue  
 BN : Brown  
 BK : Black

## Performance Curves

Standard Steel Target : 12x12x1 mm



- (1) Pick-up points
- (2) Drop-out points (object approaching from the side)
- (y) Sensing distance in mm