

KombiSIGN 70 / Accessories

Adapter for tube D25mm 1/2 Inch thread

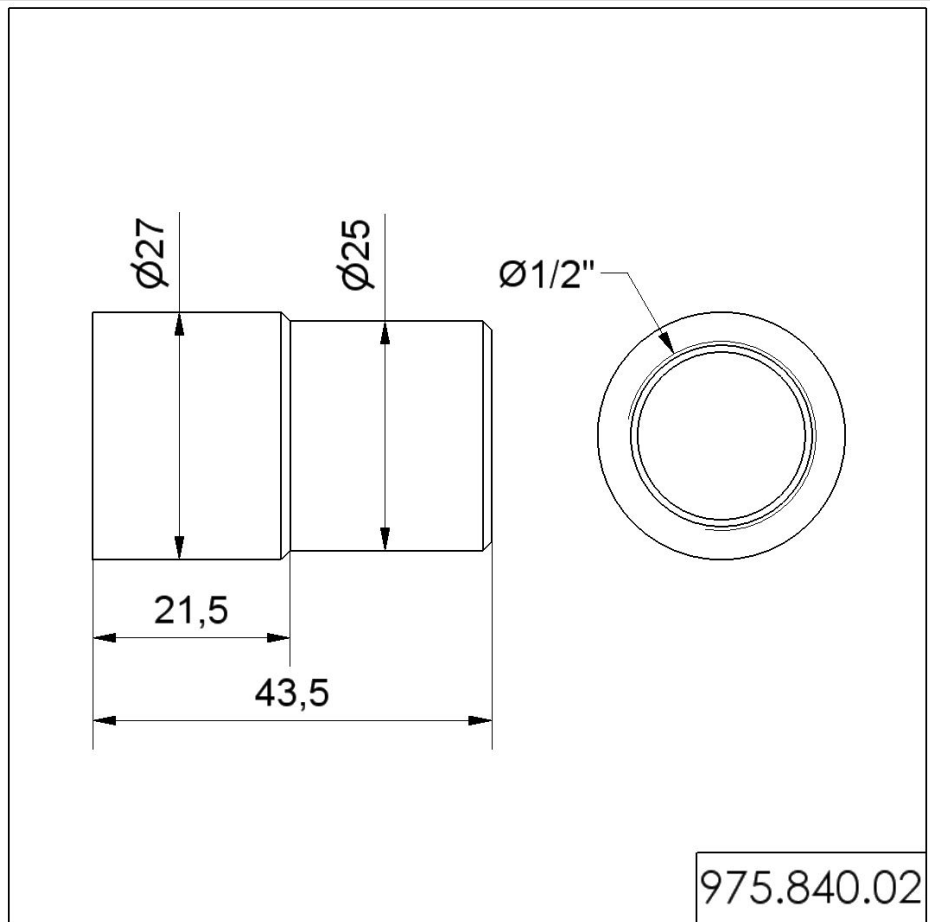


Part No.: 975.840.02

MECHANICAL DATA

Height	44 mm
Diameter	27 mm
Materials	Steel
Weight with packaging	81 g
Product weight	81 g

DRAWING



975.840.02

! For additional installation and mounting information, refer to the appropriate user guide at www.werma.com. This printed copy is for information only and is subject to alteration.