

Mini / EvoSIGNAL

## Mini TwinFLASH Combi 115-230VAC BU



Part No.:	460.520.60
Series:	EvoSIGNAL Mini

**MECHANICAL DATA**

Height	85 mm
Diameter	62 mm
Materials	PC PC/ABS
Dome colour	Blue
Housing colour	Grey
Protection category	IP66
Connection	Push-in terminal
cross-sectional area minimum	0,25mm <sup>2</sup> / 24AWG
cross-sectional area maximum	1,50mm <sup>2</sup> / 16AWG
Type of fixing	Wall mounting
Service life optical	50,000 h minimum
Acoustic service life	5,000 h minimum
Working temperature minimum	-30°C
Working temperature maximum	+60°C
UL Type Rating	Type 12
Weight with packaging	100 g
Product weight	78 g

**ELECTRICAL DATA**

Operating voltage	115-230V
Operating voltage type	AC
Operating voltage type	50Hz at 230V 60Hz at 115V
Operating voltage tolerance	+/- 10%
Rated operational voltage	230 VAC
Rated operational current	60 mA
Rated inrush current	2000 mA
Protection class	Protection class 2
Pollution degree	3
Overvoltage category	II
Isolation voltage	Ui = 250V; Uimp = 2.500V

**OPTICAL DATA**

Light source	LED
Light colour	Blue
Optical signal image	EVS TwinFlash
Flash frequency	1 Hz

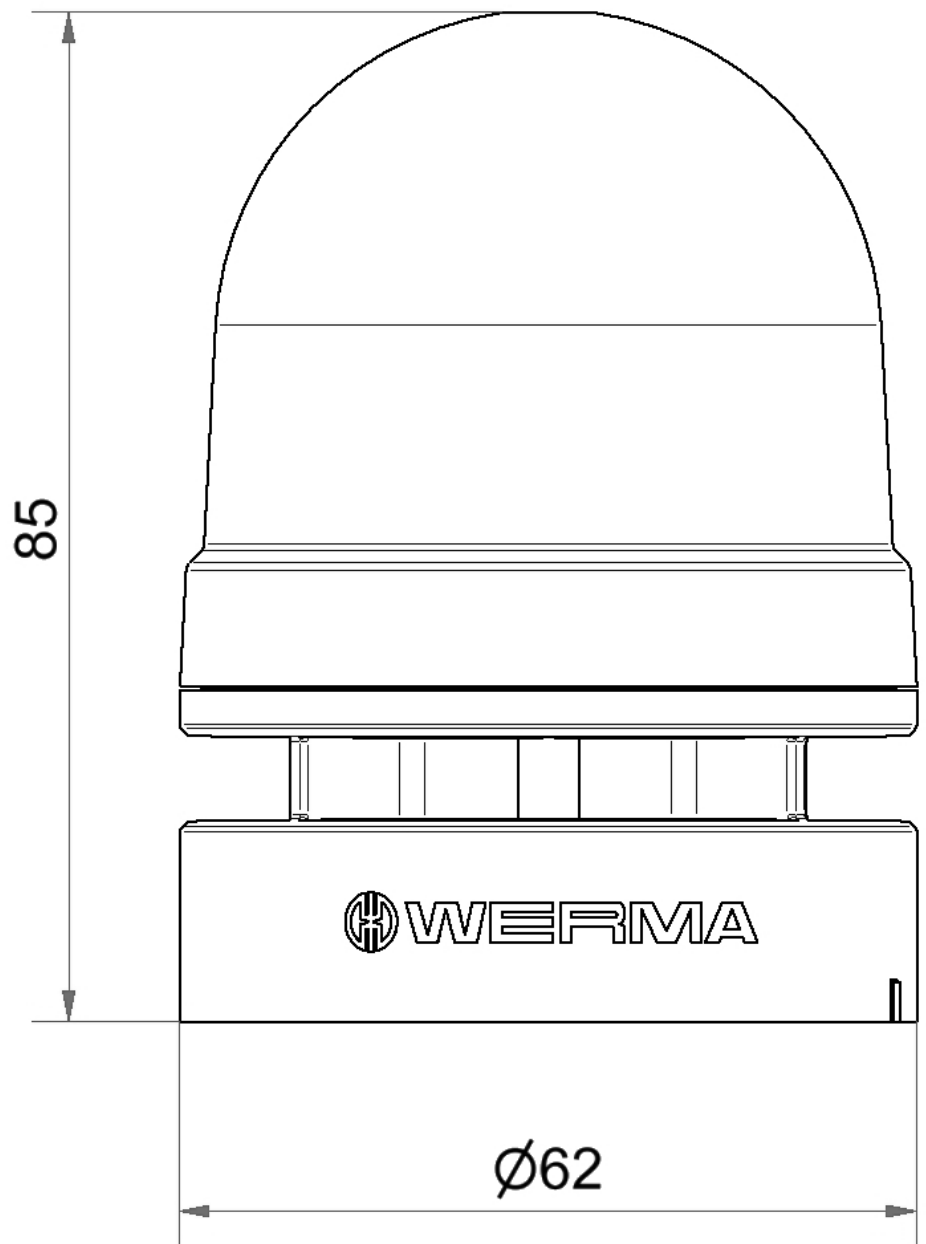


For additional installation and mounting information, refer to the appropriate user guide at [www.werma.com](http://www.werma.com). This printed copy is for information only and is subject to alteration.

Mini / EvoSIGNAL

**Mini TwinFLASH Combi 115-230VAC BU****ACUSTICAL DATA**

Volume/dB(max) at 1m distance	95,0 dB (A)
Acoustic signal image	Continuous tone Pulse tone
Number of tones	2 tone
Audio frequency	4000 Hz

**DRAWING**

For additional installation and mounting information, refer to the appropriate user guide at [www.werma.com](http://www.werma.com). This printed copy is for information only and is subject to alteration.