

EvoSIGNAL / EvoSIGNAL Accessories

Mini Tube Adaptor RM GY

Part No.: 260.700.05

**MECHANICAL DATA**

Height	60 mm
Diameter	62 mm
Materials	PC/ABS
Housing colour	Grey
Protection category	IP66
Cable entry	Through hole
Cable entry maximum	d = 9 mm
Type of fixing	Tube mounting
Working temperature minimum	-30°C
Working temperature maximum	+60°C
UL Type Rating	Type 12
Weight with packaging	44 g
Product weight	40 g

ELECTRICAL DATA

Pollution degree	3
------------------	---

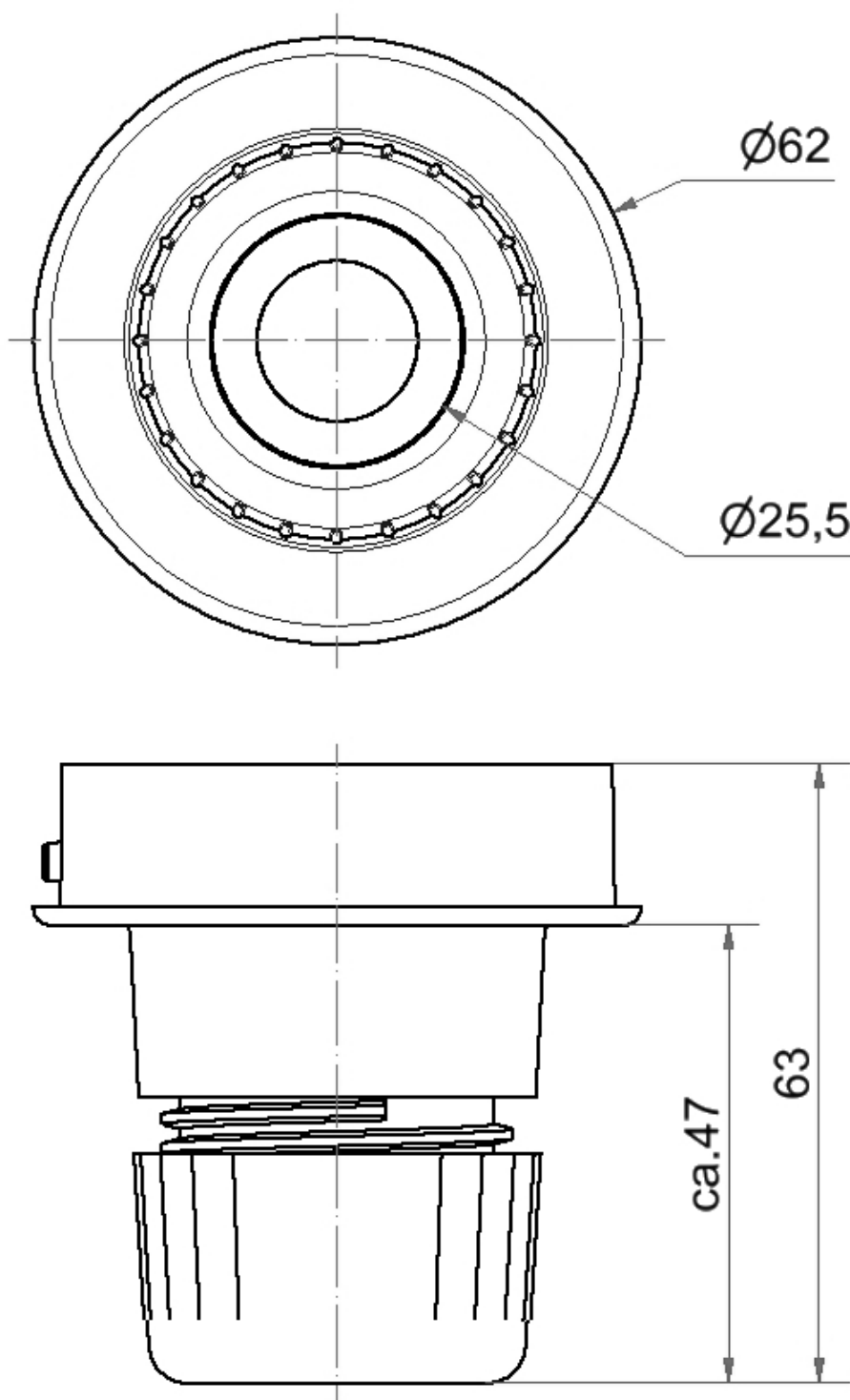


For additional installation and mounting information, refer to the appropriate user guide at www.werma.com. This printed copy is for information only and is subject to alteration.

EvoSIGNAL / EvoSIGNAL Accessories

Mini Tube Adaptor RM GY

DRAWING



For additional installation and mounting information, refer to the appropriate user guide at www.werma.com. This printed copy is for information only and is subject to alteration.