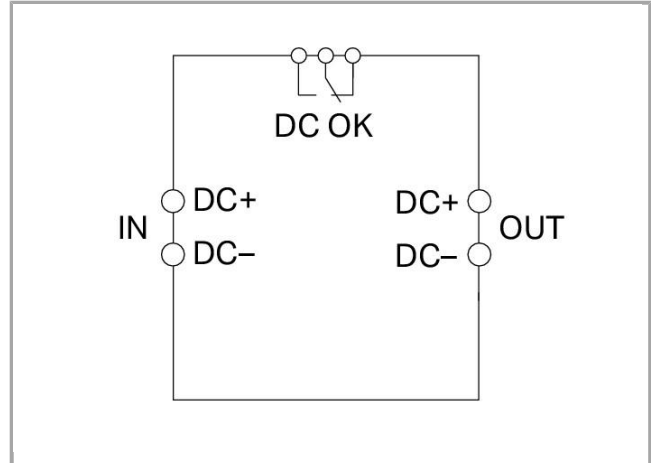


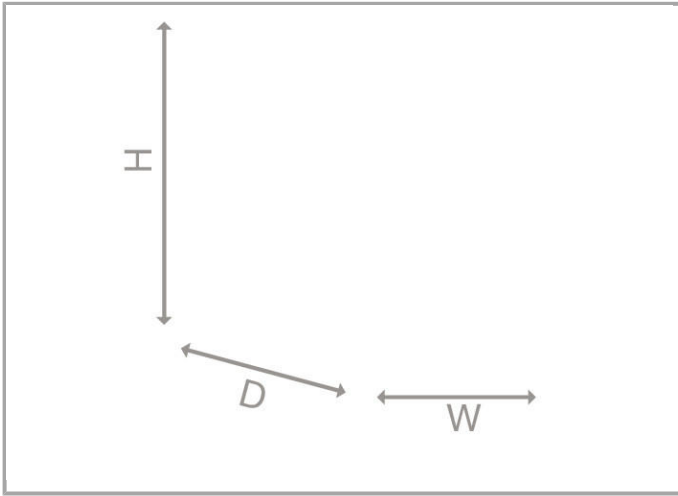
Data sheet | Item number: 787-916

capacitive buffer module; 24 VDC input voltage; 24 VDC output voltage; 40 A output current; Buffer time: 0.3 ... 6.6 s



www.wago.com/787-916





Item description

Features:

- Capacitive buffer module bridges short duration voltage drops or load fluctuations
- Internal diode between input and output enables operation with decoupled output
- Potential-free contact for charge condition monitoring

Data

Technical Data

Input

Nominal input voltage $U_{i\text{ nom}}$	DC 24 V
Input voltage range	DC 23 ... 30 V
Nominal mains frequency range	0 Hz
Input current I_i	≤ 0.06 A (no load); ≤ 0.8 A (charging); ≤ 40.8 A

Output

Nominal output voltage $U_{o\text{ nom}}$	DC 24 V
Output voltage range	$U_i - 0.5$ VDC (mains operation; $I_o = 20$ A); $U_i - 0.8$ VDC (mains operation; $I_o = 40$ A); 20 ... 29 VDC (buffer mode)
Nominal output current $I_{o\text{ nom}}$	40 A

Energy storage

Buffer time	0.3 ... 6.6 s (depends on load current and temperature)
Charging time typ.	2.5 min



Signaling and communication

Signaling	1 x LED DC OK (green) 1 x UPS LED (yellow) 1 x Warning LED (red) 1 x potential-free relay contact (max. 30 VDC, 1 A)
Operation status indicator	LED green (DC OK) LED yellow (buffer mode/charging) LED red (warning)

Efficiency/Power losses:

Power loss P_v	$\leq 1.9 \text{ W}; \leq 11.5 \text{ W}; \leq 33.5 \text{ W}$
Efficiency	96.5 %

Fuse protection:

Internal fuse	No
External fuse (recommended)	T 40 A

Safety and protection:

Insulation voltage (connectors-housing)	DC 0.5 kV
Protection class	III
Protection class	IP20 (per EN 60529)
Reverse voltage protection	yes
Parallel operation	No
Series connection	No
Service life	74,000 h (25 °C; $I_o = 40 \text{ A}$); 28,200 h (40 °C; $I_o = 40 \text{ A}$)

Connection data

Connection type (1)	Input/Output
Connection technology	Push-in CAGE CLAMP®
WAGO terminal	WAGO 2636 Series
Solid conductor	0.75 ... 16 mm ² / 18 ... 4 AWG
Fine-stranded conductor	0.75 ... 25 mm ² / 18 ... 4 AWG
Fine-stranded conductor with ferrule with plastic collar	0.75 ... 16 mm ²
Fine-stranded conductor with ferrule without plastic collar	0.75 ... 16 mm ²
Strip length	18 ... 20 mm / 0.71 ... 0.79 inch
Connection type (2)	Signaling
Connection technology 2	CAGE CLAMP®
WAGO terminal 2	WAGO 741 Series



Solid conductor (2)	0.08 ... 2.5 mm ² / 28 ... 12 AWG
Fine-stranded conductor with insulated ferrule (2)	0.25 ... 1.5 mm ² /
Fine-stranded conductor (2)	0.08 ... 2.5 mm ² / 28 ... 12 AWG
Fine-stranded conductor with uninsulated ferrule (2)	0.25 ... 1.5 mm ² /
Strip length (2)	5 ... 6 mm / 0.2 ... 0.24 inch

Geometrical Data

Width	68 mm / 2.677 inch
Height	181 mm / 7.126 inch
Length from upper-edge of DIN-35 rail	162 mm / 6.38 inch

Mechanical data

Type of mounting	DIN-35 rail (EN 60715)
------------------	------------------------

Material Data

Weight	900 kg
--------	--------

Environmental Requirements

Surrounding air (operating) temperature	-10 ... 50 °C
Surrounding air (storage) temperature	-10 ... 60 °C
Relative humidity	5 ... 95 % (no condensation permissible)
Pollution degree	2

Standards and specifications

Conformity marking	CE
Standards/specifications	EN 62368-1; EN 61000-6-2; EN 61000-6-3; CSA* (* in Vorbereitung)

Commercial data

Country of origin	DE
GTIN	4055143825603
Customs Tariff No.	85044082900

Downloads

Documentation

Instruction Leaflet

Capacitive Buffer module DC 24 V, 40 A	13.06.2019	pdf 2.2 MB	Download
---	------------	---------------	----------

Additional Information



Subject to changes.