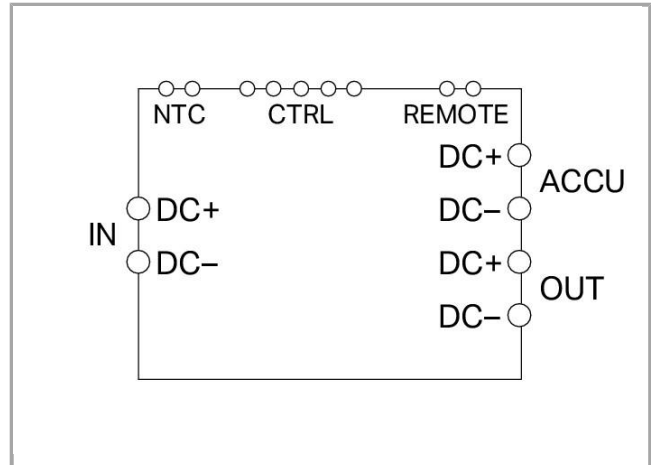


Data sheet | Item number: 787-915

UPS charger and controller; 24 VDC input voltage; 24 VDC output voltage;
40 A output current

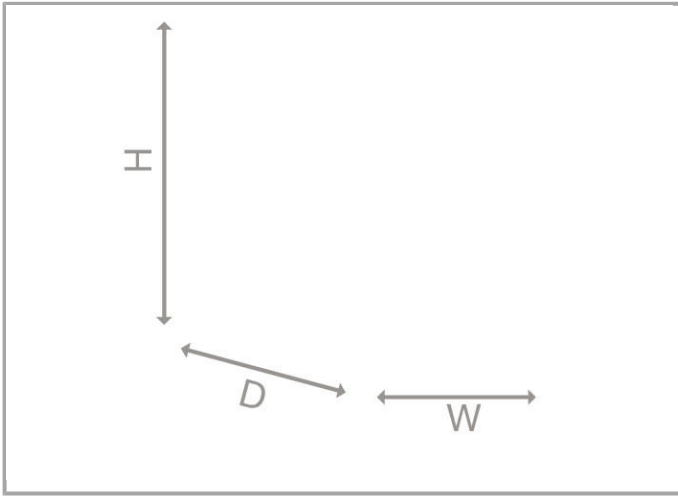


www.wago.com/787-915



RoHS Compliant

BOMcheck.net



Item description

Features:

- DC UPS module for uninterruptible power supply (UPS)
- Potential-free contacts provide function monitoring
- Remote input for buffered output deactivation
- Input for temperature control of connected battery
- Battery internal resistance measurement for diagnosing batteries, including connection cable and fuse

Note:

For North America: Use only batteries with appropriate safety approvals!

Data

Technical Data

Input

Nominal input voltage $U_{i\text{nom}}$	DC 24 V
Input voltage range	DC 22 ... 28 V
Nominal mains frequency range	0 Hz
Input current I_i	≤ 0.16 A (no load); ≤ 4 A (charging); ≤ 44 A

Output

Nominal output voltage $U_{o\text{nom}}$	DC 24 V
Output voltage range	U_i (rated operation); 19.5 ... 26.5 VDC (unregulated battery voltage in buffer mode)
Nominal output current $I_{o\text{nom}}$	40 A



Energy storage

Switch-on threshold (adjustable)	DC 21.5 ... 22.5 V
Charging current	1 ... 4 A (adjustable in 1 A steps via DIP switch; Default setting: 2 A)
End-of-charge voltage	DC 26.4 ... 29 V (temperature controlled with NTC; without temperature sensor: 27.2 VDC)
Recommended battery module	Type: VRLA 24 V; 7 ... 40 Ah

Signaling and communication

Signaling	1 x Power LED (green) 1 x UPS LED (yellow) 1 x Warning LED (red) 2 x isolated relay contact (max. 30 VDC; 1 A)
Operation status indicator	LED green (operation) LED yellow (buffer mode/charging) LED red (warning)
Remote input	to switch off buffer operation

Efficiency/Power losses:

Power loss P_v	≤ 4 W (no load); ≤ 22.5 W (nominal load)
Efficiency	97 % (rated operation); 85 % (charging)

Fuse protection:

Internal fuse	T 6.3 A (charging circuit)
External fuse (recommended)	T 50 A

Safety and protection:

Insulation voltage (connectors-housing)	DC 0.5 kV
Protection class	III
Protection class	IP20 (per EN 60529)
Reverse voltage protection	yes
Parallel operation	No
Series connection	No
MTBF	600,000 h (40 °C; per SN 29500)

Connection data

Connection type (1)	Input/Output
Connection technology	Push-in CAGE CLAMP®
WAGO terminal	WAGO 2636 Series
Solid conductor	0.75 ... 16 mm ² / 18 ... 4 AWG



Fine-stranded conductor	0.75 ... 25 mm ² / 18 ... 4 AWG
Fine-stranded conductor with ferrule with plastic collar	0.75 ... 16 mm ²
Fine-stranded conductor with ferrule without plastic collar	0.75 ... 16 mm ²
Strip length	18 ... 20 mm / 0.71 ... 0.79 inch
Connection type (2)	Signaling
Connection technology 2	CAGE CLAMP®
WAGO terminal 2	WAGO 741 Series
Solid conductor (2)	0.08 ... 2.5 mm ² / 28 ... 12 AWG
Fine-stranded conductor with insulated ferrule (2)	0.25 ... 1.5 mm ² /
Fine-stranded conductor (2)	0.08 ... 2.5 mm ² / 28 ... 12 AWG
Fine-stranded conductor with uninsulated ferrule (2)	0.25 ... 1.5 mm ² /
Strip length (2)	5 ... 6 mm / 0.2 ... 0.24 inch

Geometrical Data

Width	68 mm / 2.677 inch
Height	181 mm / 7.126 inch
Length from upper-edge of DIN-35 rail	162 mm / 6.38 inch

Mechanical data

Type of mounting	DIN-35 rail (EN 60715)
------------------	------------------------

Material Data

Weight	1100 kg
--------	---------

Environmental Requirements

Surrounding air (operating) temperature	0 ... 50 °C
Surrounding air (storage) temperature	-20 ... 55 °C
Relative humidity	5 ... 95 % (no condensation permissible)
Pollution degree	2

Standards and specifications

Conformity marking	CE
Standards/specifications	EN 62368-1; EN 61000-6-2; EN 61000-6-3; CSA* (*pending)

Commercial data

Country of origin	DE
GTIN	4055143825481
Customs Tariff No.	85044082900



Downloads

Documentation

Instruction Leaflet

UPS charger and control module DC 24 V, 40 A		pdf 281.8 kB	Download
-------------------------------------------------	--	-----------------	----------

Additional Information

Disposal; Electrical and electronic equipment, Packaging	V 1.0.0	pdf 265.8 kB	Download
----------------------------------------------------------	---------	-----------------	----------

Subject to changes.