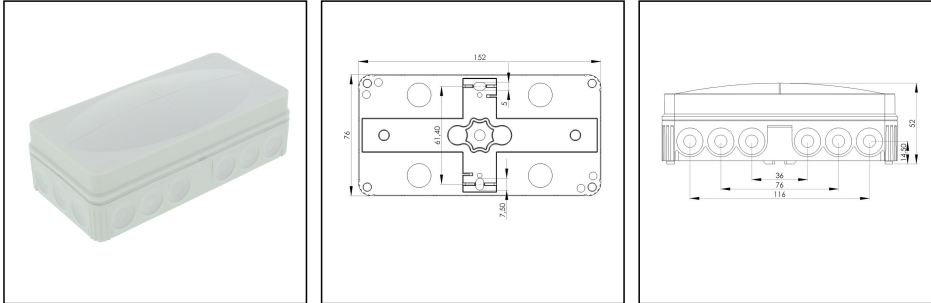


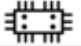
COMBI® 116 LG

Junction box 152x76x51mm, plastic, RAL 7035



Products may differ in size, colour and appearance to those shown. If you require further information or customisation, please contact us directly.



Material	Polypropylene
Material sealing gasket	TPE
Temp. range min	-30 °C
Temp. range max	100 °C
Temperatures during install.	-5 °C - 60 °C
Protection class	IP66
Glow wire test	750 °C
Voltage	400 V
Rated cross section	2,5 mm ²
Fixing	4 internal openings
Ø cable diameter min	3 mm
Ø cable diameter max	14 mm
External dimensions LxWxH	152 x 76 x 51mm
Using for cable gland	
Product Color	RAL 7035
Order no. RAL 7035	10109563
Type	COMBI® 116 LG
Packing unit	5
ETIM-Classification	EC002600

Remarks:

Fixing: By mounting clip or two internal openings outside of the sealing area

Equipment: 18 elastic self-sealing puncture-membranes for cable entry on the side and 4 in the bottom

Recommended accessories

Your Contact:

WISKA UK Ltd

Unit 7 Hurling Way, St Columb Major Business Park, St Columb Major, Cornwall, TR9 6SX

☎ +44 (0)1208 816062 📠 +44 (0)1208 816708

info@wiska.co.uk · www.wiska.co.uk


SMB 108/206/116	10060528
MP-S Mounting plate small	10105774
ZER 4-12	10109800
SP-HKT 11/5 Terminal block	22000406

16.09.2019

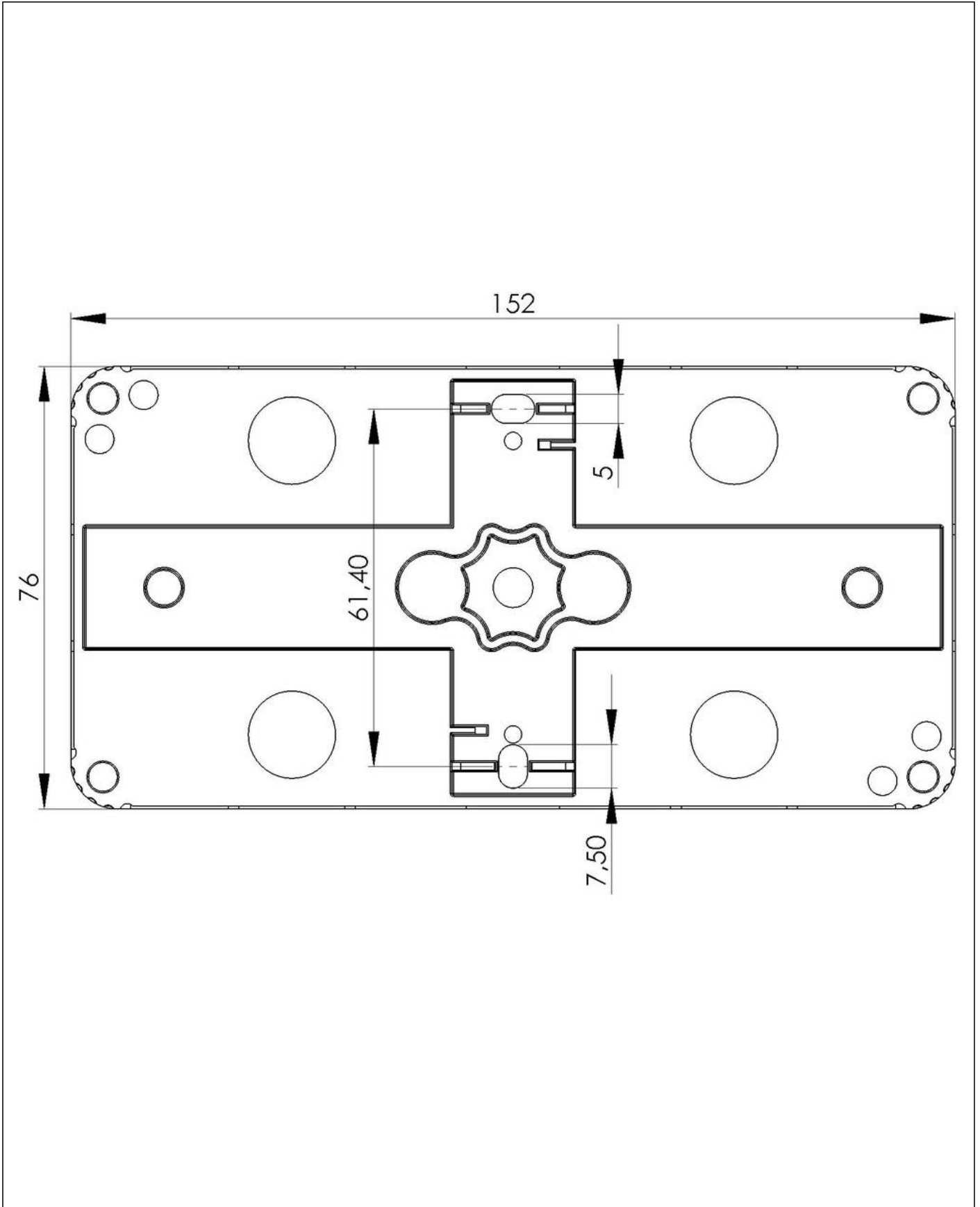
Your Contact:

WISKA UK Ltd

Unit 7 Hurling Way, St Columb Major Business Park, St Columb Major, Cornwall, TR9 6SX

 +44 (0)1208 816062  +44 (0)1208 816708

info@wiska.co.uk · www.wiska.co.uk



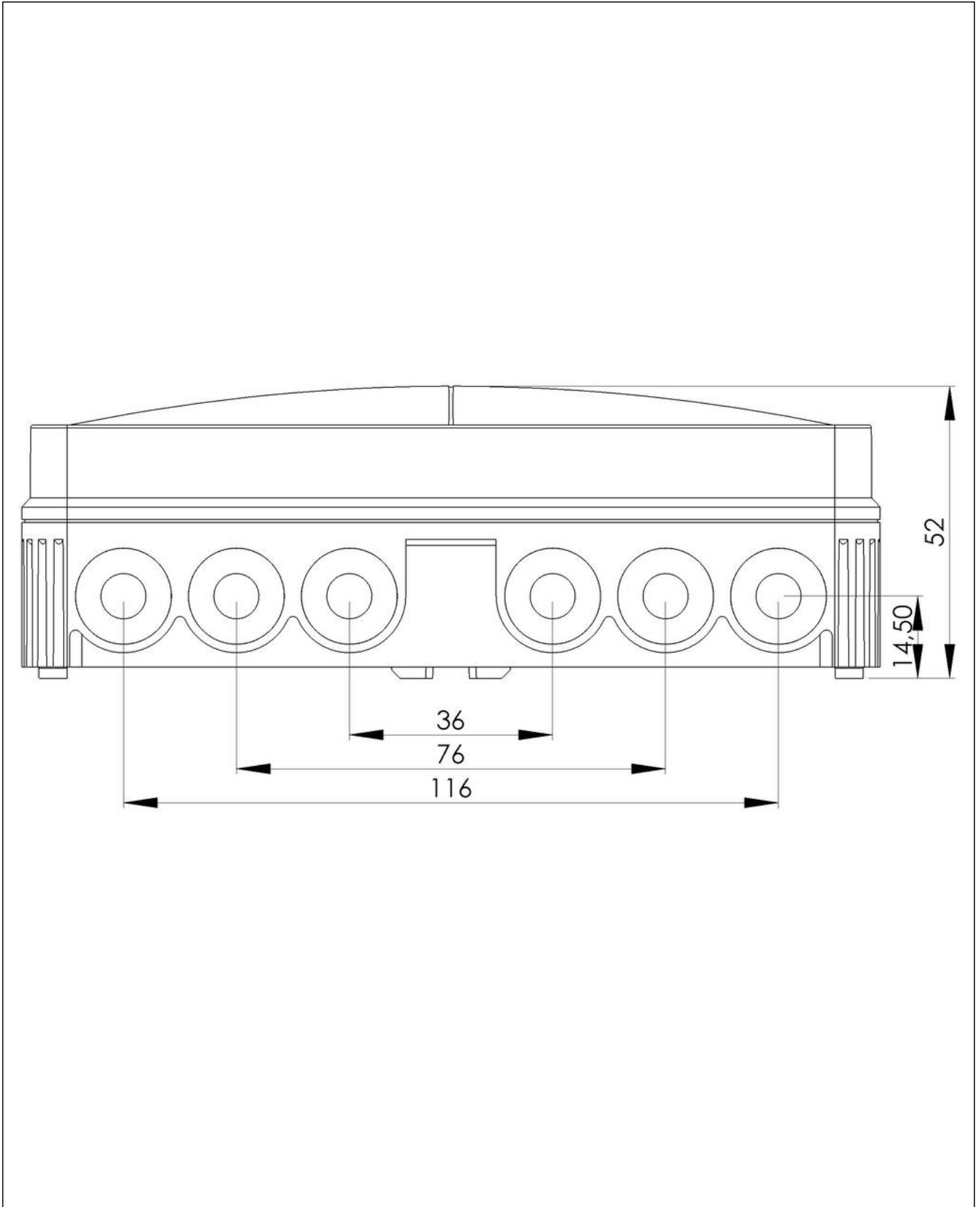
Your Contact:

WISKA UK Ltd

Unit 7 Hurling Way, St Columb Major Business Park, St Columb Major, Cornwall, TR9 6SX

☎ +44 (0)1208 816062 📠 +44 (0)1208 816708

info@wiska.co.uk · www.wiska.co.uk



Your Contact:

WISKA UK Ltd

Unit 7 Hurling Way, St Columb Major Business Park, St Columb Major, Cornwall, TR9 6SX

☎ +44 (0)1208 816062 📠 +44 (0)1208 816708

info@wiska.co.uk · www.wiska.co.uk