



# Online Data Sheet

## Encoder WDGA 58E SSI

[www.wachendorff-automation.com/wdga58essi](http://www.wachendorff-automation.com/wdga58essi)

### Wachendorff Automation

#### ... systems and encoders

- Complete systems
- Industrial rugged encoders to suit your application
- Standard range and customer versions
- Maximum permissible loads
- 48-hour express production
- Made in Germany
- Worldwide distributor network

# Encoder WDGA 58E absolute SSI magnetic, with EnDra®-Technology



**EnDra®**  
Technologie

**SSI**  
Synchronous Serial Interface

- EnDra® multiturn technology: maintenance-free and environmentally friendly
- SSI, gray or binary
- Single-turn/Multi-turn (max. 16 bit/43 bit)
- Forward-looking technology with 32 bit processor

[www.wachendorff-automation.com/wdga58essi](http://www.wachendorff-automation.com/wdga58essi)

## Mechanical Data

Housing	
Flange	hollow shaft (blind-bored)
Flange material	aluminum
Housing cap	Aluminum die cast, powder coated; Integrated magnetic shielding
Torque supports	incl. 1 torque support WDGDS10001
- 1. Spring plate compensation	axial: ±0.8 mm, radial: ±0.2 mm
- Max. operating speed	6000 rpm up to max. protection rating +60 °C
- 2. Cylinder pin 4 mm	needs accessories WDGDS10005
- Compensation	axial: ±0.5 mm, radial: ±1.5 mm, Max. operating speed: 3000 rpm
Housing	Ø 58 mm

Shaft(s)	
Shaft material	stainless steel
Starting torque	approx. 1.6 Ncm at ambient temperature
Fixing	permanently attached clamping ring

Shaft	Ø 12 mm
Shaft length	L: 12 mm
Insertion depth min.	11 mm
Insertion depth max.	15 mm
Max. Permissible shaft loading radial	80 N
Max. Permissible shaft loading axial	50 N

Bearings	
Bearings type	2 precision ball bearings
Nominal service life	1 x 10 <sup>9</sup> revs. at 100 % rated shaft load 1 x 10 <sup>10</sup> revs. at 40 % rated shaft load 1 x 10 <sup>11</sup> revs. at 20 % rated shaft load
Max. operating speed	6000 rpm

## Machinery Directive: basic data safety integrity level

MTTF <sub>d</sub>	1000 a
Mission time (TM)	20 a
Nominal service life (L10h)	1 x 10 <sup>11</sup> revs. at 20 % rated shaft load and 6000 rpm
Diagnostic coverage (DC)	0 %

## Electrical Data

Power supply/Current consumption	10 VDC up to 32 VDC: typ. 50 mA
Power consumption	max. 0.5 W
Power supply/Current consumption	4,75 VDC up to 5,5 VDC: typ. 80 mA
Power consumption	max. 0.44 W

## Sensor data

Single-turn technology	innovative hall sensor technology
Single-turn resolution	up to 65,536 steps/360° (16 bit)
Single-turn accuracy	< ±0.35°
Single-turn repeat accuracy	< ±0.20°
Internal cycle time	600 µs
Multi-turn technology	patented EnDra® technology no battery, no gear.
Multi-turn resolution	up to 43 bit.

## Environmental data

Environmental data:	
ESD (DIN EN 61000-4-2):	8 kV
Burst (DIN EN 61000-4-4):	2 kV
includes EMC:	DIN EN 61000-6-2 DIN EN 61000-6-3
Vibration: (DIN EN 60068-2-6)	50 m/s <sup>2</sup> (10 Hz up to 2000 Hz)
Shock: (DIN EN 60068-2-27)	1000 m/s <sup>2</sup> (6 ms)
Design:	according DIN VDE 0160
Turn on time:	<1,5 s

## Interface

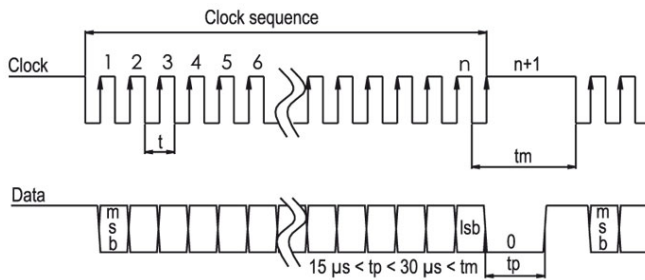
Interface:	
Interface:	<b>SSI</b>
Clock input:	via opto-coupler
Clock frequency:	100 kHz up to 500 kHz, up to 2 MHz on request
Data output:	RS485/RS422 compatible
Output code:	gray or binary
SSI output:	Angular-/position value
Parity bit:	optional (even/odd)
Error bit:	optional
Turn on time:	<1,5 s

<b>Configuration inputs</b>	DIR = GND -> cw
Positive direction of counting: (View on shaft)	DIR = +UB -> ccw
Set to zero:	Set: Preset = +UB for 2 s Deaktiviate: Preset = GND

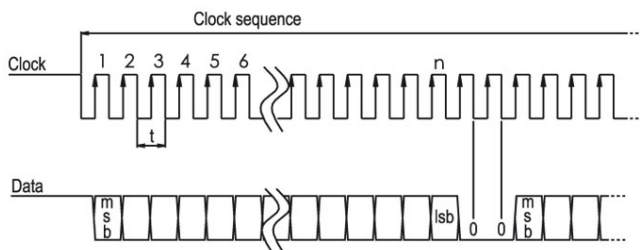
#### LED-behaviour:

At Start / while booting:	- red gleam (< 2.3 s)
Malfunction:	- constant red gleam (> 2.3 s)
Normal function:	- constant green gleam
No supply:	- no gleam

#### Transmission protocol SSI Single transmission:



#### Transmission protocol SSI Multipath transmission:



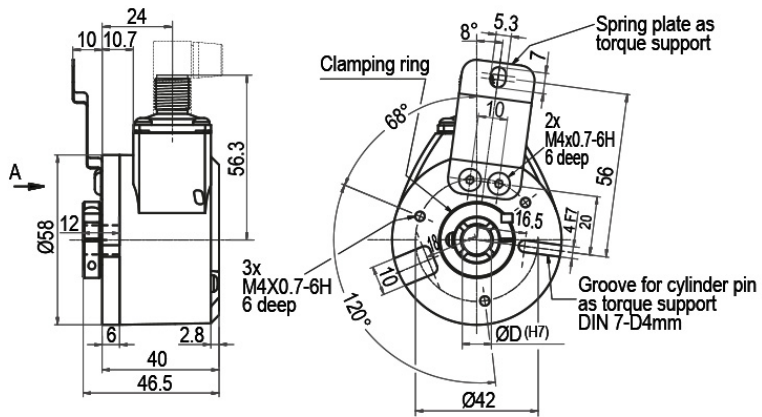
#### General Data

Weight	approx. 220 g
Connections	cable or connector, radial
Protection rating (EN 60529)	Housing: IP65, IP67; shaft sealed: IP65; cable outlet K1: IP40, K6: IP20
Operating temperature	-40 °C up to +85 °C
Storage temperature	-40 °C up to +100 °C

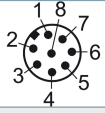
#### More Information

General technical data and safety instructions  
<http://www.wachendorff-automation.com/gtd>

Options  
<http://www.wachendorff-automation.com/acc>

**Connector, M12x1, CC8, radial, 8-pin**

**Description**

**CC8** radial, 8-pin, shield connected to encoder housing

Assignments	
	<b>CC8</b> 
<b>GND</b>	1
<b>(+) Vcc</b>	2
<b>SSI CLK+</b>	3
<b>SSI CLK-</b>	4
<b>SSI DATA+</b>	5
<b>SSI DATA-</b>	6
<b>PRESET</b>	7
<b>DIR</b>	8
<b>Shield</b>	housing

Example Order No.	Type	Your encoder	
WDGA 58E	WDGA 58E	WDGA 58E	
<b>Shaft</b>			
12	Ø 12 mm	12	12
<b>Single-turn Resolution</b>			
13	Single-turn resolution 1 bit up to 16 bit: (e. G. 12 bit)	13	13
<b>Multi-turn Resolution</b>			
12	Multi-turn up to 43 bit (e. G. 12 bit) No Multi-turn = 00	12	12
<b>Data protocol</b>			
SI	SSI	SI	SI
<b>Software</b>			
A	up to date release	A	A
<b>Code</b>			
B	binary	B	B
<b>Power supply</b>			
0	10 V up to 32 V (standard)	0	0
<b>Galvanic isolation</b>			
1	yes	1	1
<b>Electrical connections</b>			
CC8	<b>Connector:</b> sensor-connector, M12x1, 8-pin, radial, IP67, shield connected to encoder housing	CC8	CC8
	<b>Option:</b> Including 8 mm and 10 mm adapter sleeve	AHW	AHW

<b>Example Order No.</b>	WDGA 58E	12	13	12	SI	A	B	0	1	CC8	AHW
--------------------------	----------	----	----	----	----	---	---	---	---	-----	-----

WDGA 58E	12	13	12	SI	A	B	0	1	CC8	AHW	<b>Your encoder</b>
----------	----	----	----	----	---	---	---	---	-----	-----	---------------------



For further information please contact our local distributor.  
Here you find a list of our distributors worldwide.  
<https://www.wachendorff-automation.com/>



Wachendorff Automation GmbH & Co. KG  
Industriestrasse 7 • 65366 Geisenheim  
Germany

Phone: +49 67 22 / 99 65 25  
Fax: +49 67 22 / 99 65 70  
E-Mail: [wdg@wachendorff.de](mailto:wdg@wachendorff.de)  
[www.wachendorff-automation.de](http://www.wachendorff-automation.de)

