

LIEBERT® ITON WITH IEC SOCKETS

Miguel Rascon

Sr Product Manager EMEA – Single Phase UPS



TABLE OF CONTENTS

Features and Highlights

Electrical performance

Batteries and charger

Design, dimensions and front/rear panels

Communications and Monitoring

Specifications

TABLE OF CONTENTS

Features and Highlights

Electrical performance

Batteries and charger

Design, dimensions and front/rear panels

Communications and Monitoring

Specifications

LIEBERT® ITON WITH IEC SOCKETS: LINE INTERACTIVE UPS TECHNOLOGY



Liebert itON 400-800 VA IEC

Benefits of this technology:

- High Efficiency
- Voltage Regulation (AVR with boost and trim)
- Wide input voltage range
- Optimum protection to the load

Optimum Line interactive Technology for IT Equipment Protection

LIEBERT® ITON WITH IEC SOCKETS: FEATURES AND HIGHLIGHTS

Wide power range

From **400 to 2000 VA**, with 6 ratings available

Suitable for IT environments

Look and feel fit for office environments with its dark grey color RAL 7016

Small, light and manageable

USB communication port included in larger ratings

Frequency auto-detection (50 or 60 Hz)

Cold Start function

- By default, the unit starts working @ 50 Hz

Auto-restart

- When mains returns after batteries are discharged, the unit starts working immediately

Highly reliable electronics

Liebert itON 400-800 VA IEC



Liebert itON 1000-2000 VA IEC



LIEBERT® ITON WITH IEC SOCKETS: FEATURES AND HIGHLIGHTS

Complete portfolio suitable for each customer need and application:

Liebert itON 400 VA E 230 V IEC-IEC

400 VA / 240 W

Liebert itON 600 VA E 230 V IEC-IEC

600 VA / 360 W

Liebert itON 800 VA E 230 V IEC-IEC

800 VA / 480 W

Liebert itON 1000 VA E 230 V IEC-IEC

1000 VA / 600 W

Liebert itON 1500 VA E 230 V IEC-IEC

1500 VA / 900 W

Liebert itON 2000 VA E 230 V IEC-IEC

2000 VA / 1200 W



Liebert itON 400-800 VA IEC



Liebert itON 1000-2000 VA IEC

TABLE OF CONTENTS

Features and Highlights

Electrical performance

Batteries and charger

Design, dimensions and front/rear panels

Communications and Monitoring

Specifications

LIEBERT® ITON WITH IEC SOCKETS: ELECTRICAL PERFORMANCE

High technology featuring:

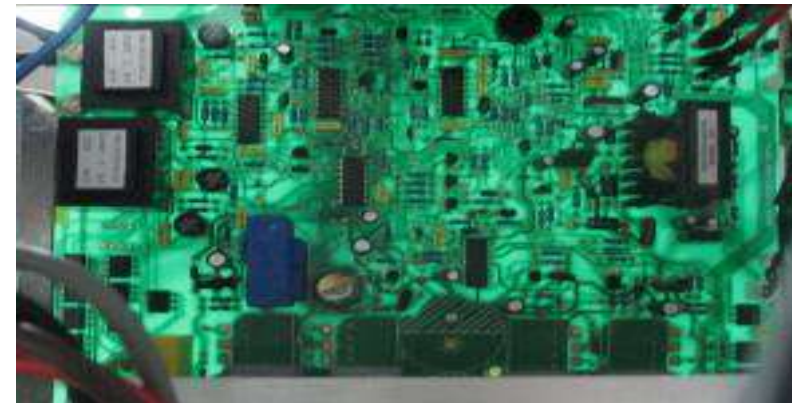
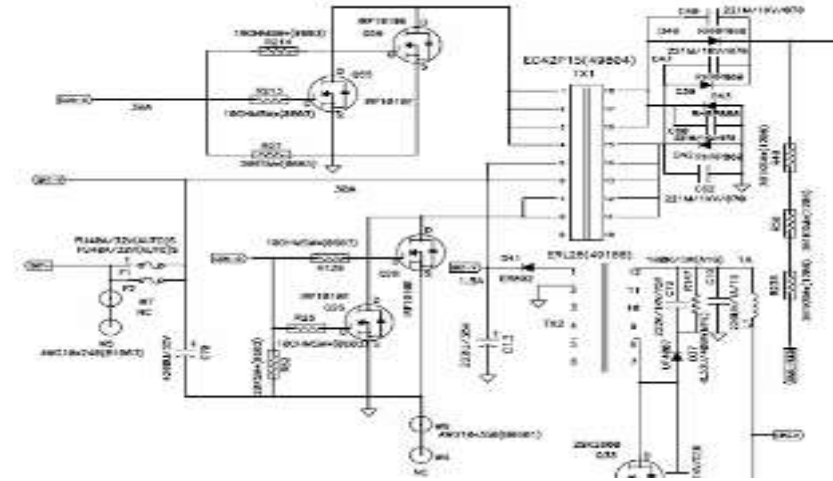
- Buck/Boost regulator
- Regulated output voltage
- Wide input voltage range
- Increased batteries lifetime

PWM technology

- Lighter components, minimum size

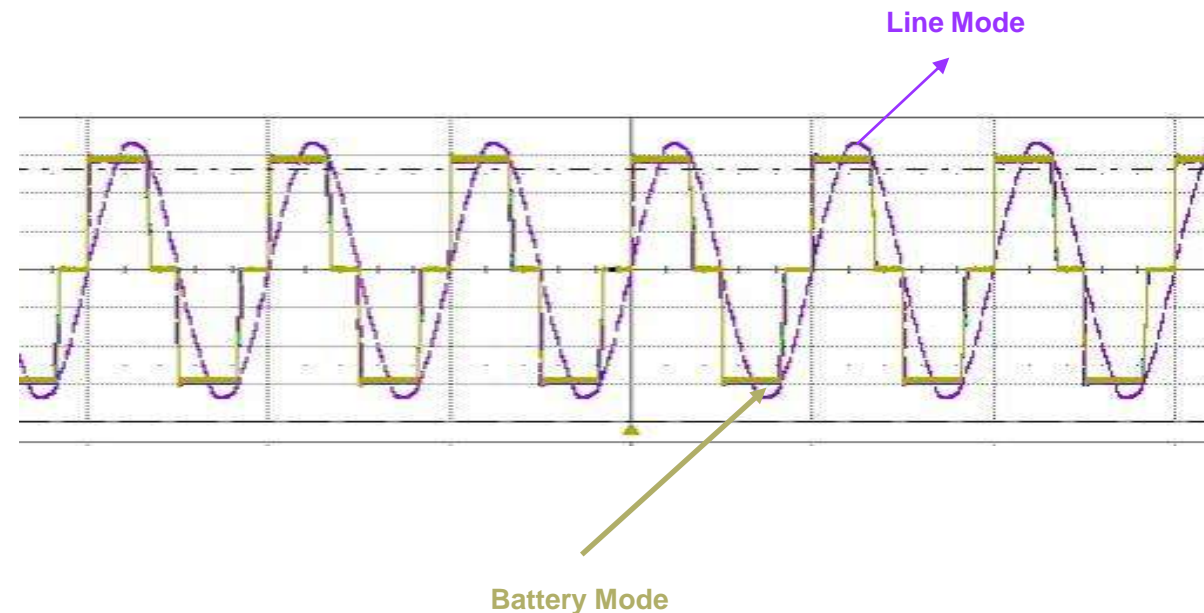
Minimum transfer time

- Avoid data losses (PC's, servers..)
- Load is constantly protected
- Very fast: 4-6 ms typical



LIEBERT® ITON WITH IEC SOCKETS: ELECTRICAL PERFORMANCE

- Single phase Input/Output
- Stepped wave in battery mode
- Nominal output voltage: 230 V
- Maximum input voltage range: 162-290 VAC
- Frequency: 50Hz /60Hz (autosensing)
- Output power factor: 0.6
- Output voltage regulation: $\pm 10\%$ (battery mode)
- Admitted overload (line mode):
 - 110% line mode: shutdown in 5 minutes
 - 120% line mode: shutdown immediately
- Protection against overload, battery deep discharge and overvoltage
- IEC320-C13 output sockets



LIEBERT® ITON WITH IEC SOCKETS: PART NUMBERS AND UPC CODES

Model	Part number	Rating	UPC
Liebert itON 400 VA E 230 V IEC-IEC	LI32101CT01	400 VA/240 W	767041021356
Liebert itON 600 VA E 230 V IEC-IEC	LI32111CT01	600 VA/360 W	767041021363
Liebert itON 800 VA E 230 V IEC-IEC	LI32121CT01	800 VA/480 W	767041021370
Liebert itON 1000 VA E 230 V IEC-IEC	LI32131CT21	1000 VA/600 W	767041021387
Liebert itON 1500 VA E 230 V IEC-IEC	LI32141CT21	1500 VA/900 W	767041021394
Liebert itON 2000 VA E 230 V IEC-IEC	LI32151CT21	2000 VA/1200 W	767041021400

TABLE OF CONTENTS

Features and Highlights

Electrical performance

Batteries and charger

Design, dimensions and front/rear panels

Communications and Monitoring

Specifications

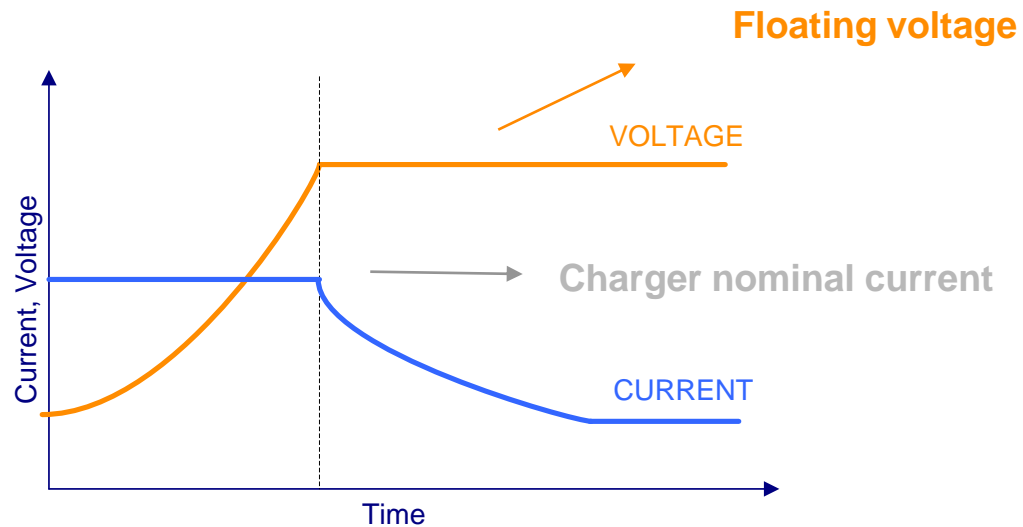
LIEBERT® ITON WITH IEC SOCKETS: BATTERIES AND RECHARGE TIME

Model	Part number	Rating	Internal batteries
Liebert itON 400 VA E 230 V IEC-IEC	LI32101CT01	400 VA/240 W	1 x 12 V x 4.5Ahr
Liebert itON 600 VA E 230 V IEC-IEC	LI32111CT01	600 VA/360 W	1 x 12 V x 7Ahr
Liebert itON 800 VA E 230 V IEC-IEC	LI32121CT01	800 VA/480 W	1 x 12 V x 9Ahr
Liebert itON 1000 VA E 230 V IEC-IEC	LI32131CT21	1000 VA/600 W	2 x 12 V x 7Ahr
Liebert itON 1500 VA E 230 V IEC-IEC	LI32141CT21	1500 VA/900 W	2 x 12 V x 9Ahr
Liebert itON 2000 VA E 230 V IEC-IEC	LI32151CT21	2000 VA/1200 W	2 x 12 V x 9Ahr

LIEBERT® ITON WITH IEC SOCKETS: BATTERIES AND CHARGER

Typical recharge time: 4-6 hours to recover 90% of capacity

Advanced Battery Care



The charging process has two stages:

- Constant current
- Constant voltage

Charging method allows maximum lifetime of the batteries.

TABLE OF CONTENTS

Features and Highlights

Electrical performance

Batteries and charger

Design, dimensions and front/rear panels

Communications and Monitoring

Specifications

LIEBERT® ITON WITH IEC SOCKETS: NEW DESIGN STYLE

New and more attractive design style

Dark grey color (RAL7016), similar to new PCs and desktops



Liebert itON 400-800 VA IEC



Liebert itON 1000-2000 VA IEC

LIEBERT® ITON WITH IEC SOCKETS: DIMENSIONS

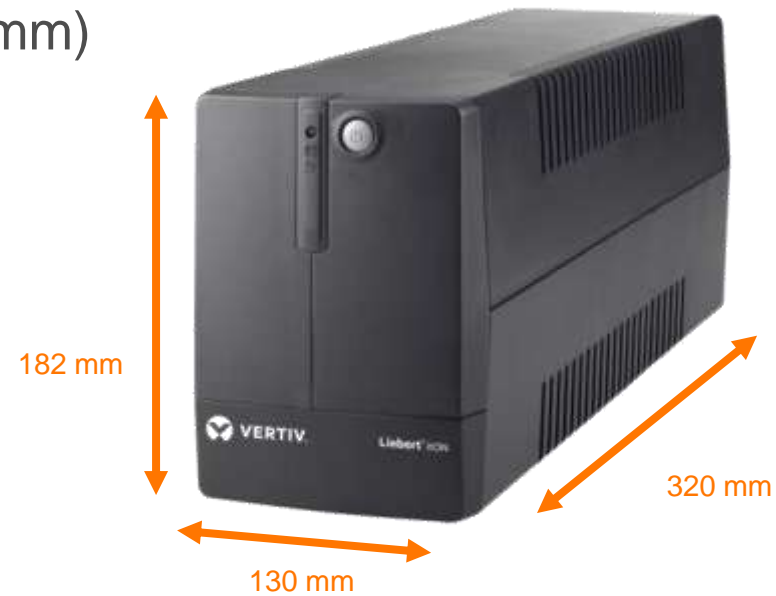
Reduced dimensions:

High Power Density

Minimum space required, maximum reliability

Two different sizes:

- **400/600/800 VA:** 101 x 142 x 279 (WxHxD, mm)
- **1000/1500/2000 VA:** 130 x 182 x 320 (WxHxD, mm)



LIEBERT® ITON WITH IEC SOCKETS: FRONT AND REAR DESIGN

Liebert itON 400 VA IEC
Liebert itON 600 VA IEC
Liebert itON 800 VA IEC



Liebert itON 1000 VA IEC



Liebert itON 1500 VA IEC
Liebert itON 2000 VA IEC



TABLE OF CONTENTS

Features and Highlights

Electrical performance

Batteries and charger

Design, dimensions and front/rear panels

Communications and Monitoring

Specifications

LIEBERT® ITON WITH IEC SOCKETS: COMMUNICATIONS



	400 VA	600VA	800VA	1000VA	1500VA	2000VA
USB	✘	✘	✘	+	+	+
Monitoring software	✘	✘	✘	+	+	+

ENVIRONMENTAL COMMITMENT

Vertiv takes several initiatives:

Adopts a proactive approach to helping the environment

Commits to helping the environment and to promoting energy efficiency

Saves materials, energy and environmental resources

Complies with environmental regulations and even exceeds them



TABLE OF CONTENTS

Features and Highlights

Electrical performance

Batteries and charger

Design, dimensions and front/rear panels

Communications and Monitoring

Specifications

LIEBERT® ITON WITH IEC SOCKETS: TECHNICAL SPECIFICATION

SPECIFICATIONS

Model	Liebert itON 400 IEC-IEC	Liebert itON 600 IEC-IEC	Liebert itON 800 IEC-IEC
Capacity (VA/W)	400/240	600/360	800/480
Net Weight kg	3.6	4.2	4.9
Dimensions – W x D x H, mm	101 x 279 x 142		
Line Input Nominal Voltage	220 - 240VAC		
Maximum Line Input Voltage Range **	170 - 280VAC		
Line Frequency	50Hz / 60Hz (auto sensing)		
Output Voltage (Utility Power)	230VAC		
Output Voltage (Battery Operation)	±10%		
On-Battery Wave Form	Stepped sinewave		
Battery Type – VDC x Ah x Quantity	12V x 4.5 Ah x 1	12V x 7 Ah x 1	12V x 9 Ah x 1
Typical Recharge Time	4 - 6 hours to 90%		
Battery Run Time* – Half Load	8 minutes	6 minutes	3 minutes
Input sockets	IEC320 C13		
Output sockets	IEC320 C14 (x4)		
Operating Temperature, °F (°C)	32 to 104 (0 to 40)		
Storage Temperature, °F (°C)	-4 to 122 (-20 to 50)		
Operating /Storage Relative Humidity	0 – 90%, non-condensing		
Items included in the box	Quick start guide (EN) / Safety notes / CD-ROM with manual / (x2) IEC320 C13-14 cables		

*Battery run time may vary depending on load.

** Depending of output load.

LIEBERT® ITON WITH IEC SOCKETS: TECHNICAL SPECIFICATION

SPECIFICATIONS

Model	Liebert itON 1000 IEC-IEC	Liebert itON 1500 IEC-IEC	Liebert itON 2000 IEC-IEC
Capacity (VA/W)	1000/600	1500/900	2000/1200
Net Weight kg	8.2	10.4	11
Dimensions – W x D x H, mm	130 x 320 x 182		
Line Input Nominal Voltage	220 - 240VAC		
Maximum Line Input Voltage Range **	162 - 290VAC		
Line Frequency	50Hz / 60Hz (auto sensing)		
Output Voltage (Utility Power)	230VAC		
Output Voltage (Battery Operation)	±10%		
On-Battery Wave Form	Stepped sinewave		
Battery Type – VDC x Ah x Quantity	12V x 7 Ah x 2	12V x 9 Ah x 2	12V x 9 Ah x 2
Typical Recharge Time	4 - 6 hours to 90%		
Battery Run Time* – Half Load	8 minutes	6 minutes	3 minutes
Input socket	IEC320 C14		
Output sockets	IEC320 C13 (x4)	IEC320 C13 (x6)	
Operating Temperature, °F (°C)	32 to 104 (0 to 40)		
Storage Temperature, °F (°C)	-4 to 122 (-20 to 50)		
Operating /Storage Relative Humidity	0 – 90%, non-condensing		
Items included in the box	Quick start guide (EN) / Safety notes / CD-ROM with manual / (x3) IEC320 C13-14 cables / (x1) USB cable		

*Battery run time may vary depending on load.

** Depending of output load.

