



Vert-X 22E - 5V / 10...90% Ub

Applications

- Wind vanes
- Valve control
- Level sensor
- Special purpose vehicles

Features general

- High protection class IP68
- Flat design
- Non-contacting measuring method
- Very long life
- High accuracy of measurement
- Use in cramped installation conditions
- Full resolution and accuracy at programmed electrical angle

Features MH-C

- Resolution of 12bit
- Full redundancy possible
- Lower price than MH-C2

Features MH-C2

- Resolution of 14bit
- Index point(s), sense of rotation and angle settable resp. programmable by customer (optional)

Errors and omissions excepted. Subject to change without notice. / State: 01.10.10

Contelec AG
 Portstrasse 38
 CH-2503 Biel/Bienne
 Phone +41 (0)32 3665600
 Telefax +41 (0)32 3665604
 sales@contelec.ch

CONTELEC
 A company of the Siedle-Group

Sensor principle		MH-C	MH-C2
Electrical data			
Measuring range	°	0 ... 360	0 ... 360
Indep. linearity (without misalignment)	% of meas. range	±0.3	±0.3
Indep. linearity (with allowed misalignment @ 360°)	% of meas. range	±0.5	±0.5
Max. hysteresis	°	0.1	0.1
Resolution	bit	12	14
Max. repeatability	°	0.1	0.1
Sample rate fast mode	kHz	(5)	(2)
Sample rate slow mode	kHz	1.66	0.5
System propagation delay fast mode	µs	(800)	(800)
System propagation delay slow mode	µs	4600	2500
Max. temperature coefficient of the output signal	ppm/°K	50	50
MTTFd / MTBF	years	668 / 668	308 / 308
Power supply voltage	VDC	5 (±10%)	5 (±10%)
Current consumption without load (typ.) fast mode	mA	(14)	(15)
Current consumption without load (typ.) slow mode	mA	9	10
Min. ohmic load at output	kOhm	10	10
Max. capacitive load at output	nF	100	100
Reverse polarity protection of power supply		yes	no
Electrical connection axial		Wires (3x)	Wires (3x)
Cross section of single wires	mm ²	0.25 (AWG24)	0.25 (AWG24)
Electrical connection radial		Cable 3pole	Cable 3pole
Cross section of single wires	mm ²	0.25 (AWG24)	0.25 (AWG24)
Redundancy feasible		yes	no
Electrical connection redundant axial		Ribbon cable 6pole	-
Cross section of single wires redundant	mm ²	0.09 (AWG28)	-
Electrical connection redundant radial		Cable 6pole	-
Cross section of single wires redundant	mm ²	0.25 (AWG24)	-
Mechanical data			
Mechanical range	°	360 (continuous)	360 (continuous)
Protection class		IP68	IP68
Min. life	movements	no limitation	no limitation
Operating & storage temperature (with wires)	°C	-40 ... +125	-40 ... +85
Operating & storage temperature (with ribbon cable)	°C	-40 ... +105	-40 ... +85
Operating & storage temperature (with round cable)	°C	-40 ... +85	-40 ... +85
IEC 68-2-6 Vibration (Amax = 0.75mm, f = 5 ... 2000 Hz)	g	50	50
IEC 68-2-27 Shock	g	200	200
Standards			
EN 55022 class B, Emission radiated (30... 230 MHz)	dB(µV/m)	max. 30	max. 30
EN 55022 class B, Emission radiated (230...1000MHz)	dB(µV/m)	max. 37	max. 37
EN 61000-4-2, ESD (contact discharge / air discharge)	kV	±4 / ±8	±4 / ±8
EN 61000-4-3, Immission HF radiated (80... 1000 MHz)	V/m	30	30
EN 61000-4-4, Burst (on all lines)	kV	±1	±1
EN 61000-4-5, Surge (lines to ground)	kV	±1	±1
EN 61000-4-6, Immission HF conducted (0.15...80MHz)	Vemk	10	10
EN 61000-4-8, Immission magnetic field (50Hz)	A/m	30	30
IEC 60393-1 Insulation resistance (500VDC, 1bar, 2s)	GOhm	20	20
IEC 60393-1 Dielectric strength (VAC, 50Hz, 1min, 1bar)	kV	1	1



Vert-X 22E - 5V / 10...90% Ub Ordering code

*** Switch outputs**
Please define number
(max. 127), position and width
of the pulses.

Output characteristics		Electrical connection / axial	
Positive gradient CW	Standard 1	3 Optional	Wires 4pole
Positive gradient CCW	Optional 2	5 Standard	Wires 3pole
Redundant, positive gradient CW	Optional 3	7 Optional	Ribbon cable 6pole
Redundant, positive gradient CCW	Optional 4	9 Optional	Special cable ; special wires
Redundant, crossed signal curves	Optional 5	Electrical connection / radial	
Positive gradient CW with 1 switch output*	Optional A	4 Standard	Round cable 3pole
Positive gradient CCW with 1 switch output*	Optional B	6 Optional	Round cable 6pole
Positive gradient CW with 2 switch outputs*	Optional C	9 Optional	Special cable ; special wires
Positive gradient CCW with 2 switch outputs*	Optional D	Length of wires / ribbon cable	
Sense of rotation settable	Optional E	01 Optional	10cm
Zero point & sense of rotation settable	Optional F	03 Optional	30cm
Middle point & sense of rotation settable	Optional G	05 Standard	50cm
Start + end point & sense of rotation settable	Optional H	99 Optional	Special length
Programmable with Vert-X EasyAdapt	Optional P	Length of cable	
		02 Standard	1.0m
		06 Optional	3.0m
		10 Optional	5.0m
		99 Optional	Special length
		Output signal	
10% ... 90% Ub	Standard 2		
x% ... y% Ub (within 5 ... 95%)	Optional 3		
		Power supply voltage	
5VDC	Standard 2		
Vert-X	2 2 E 2	7 3 6	2 2 1
		5 0 5	
		Electrical angle	
		36 Standard	Electrical angle 360°
		xx Optional	03 to 35; Declaration in 10° steps
		99 Optional	Special angle
		Sensor principle	
		7 MH-C	
		8 MH-C2	
		Mechanical version	
22E1	Optional	Servo mount size 9 ; magnetic actuator type 1	
22E2	Standard	Servo mount size 9 ; magnetic actuator type 2	
22E9	Optional	Special housing ; special magnetic actuator	

	MH-C	MH-C2
Custom magnetic actuator	X	X
Custom modification of the housing	X	X
Custom cable / wires	X	X
Interface x% ... y% Ub (within 5% ... 95% Ub)	X	X
Sample rate in fast mode	X	X
Switch functions TTL (max. 2)	X	X
Special characteristic curve	-	X
Special electrical angle within 30° to 360° (ex factory)	X	X
Electrical angle programmable (Software)	-	X
Start & end point settable (Additional wires)	-	X
Sense of rotation CW/CCW settable / programmable (Additional wires or Software)	-	X
Index point settable / programmable (Additional wires or Software)	-	X

Options (on request)

Errors and omissions excepted. Subject to change without notice. / State: 01.10.10

Contelec AG
Portstrasse 38
CH-2503 Biel/Bienne
Phone +41 (0)32 3665600
Telefax +41 (0)32 3665604
sales@contelec.ch

CONTELEC
A company of the Siedle-Group



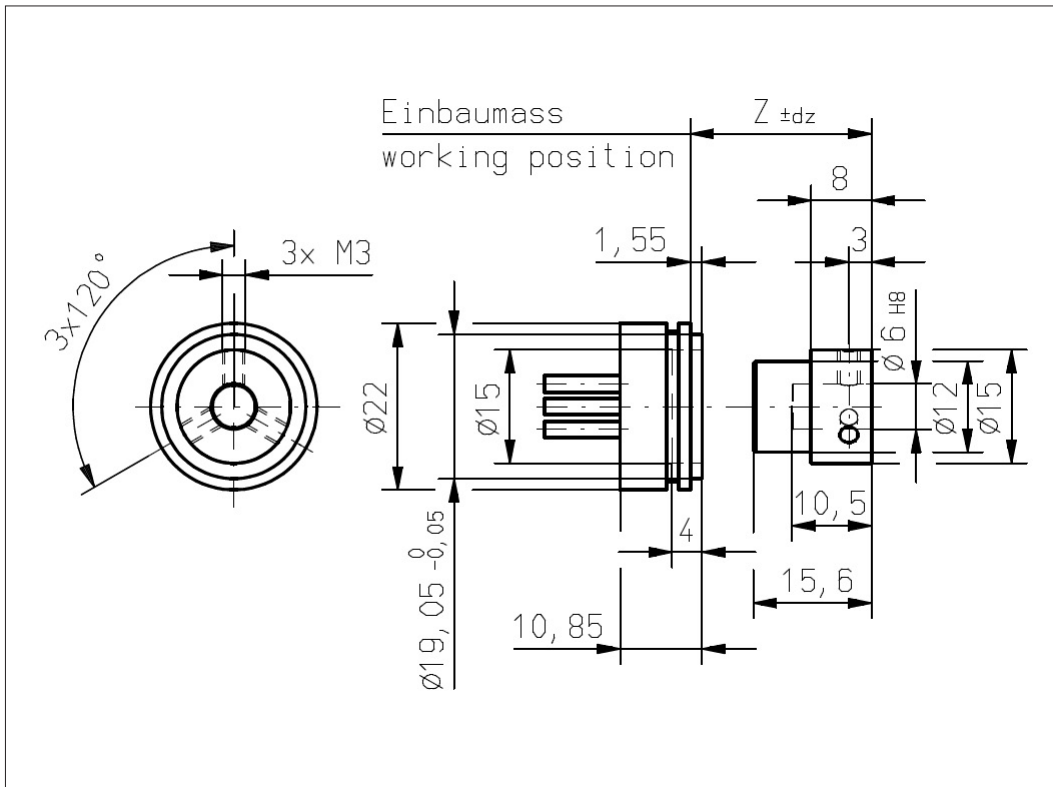
Vert-X 22E2 xxx xxx 5xx
Vert-X 22E2 xxx xxx 7xx

Accessoires (incl.)

- 1x Fixation clip
- 2x Slotted cylinder head screw M3x8

Working position (Z) and max. permitted misalignment of the magnetic actuator

see mounting information



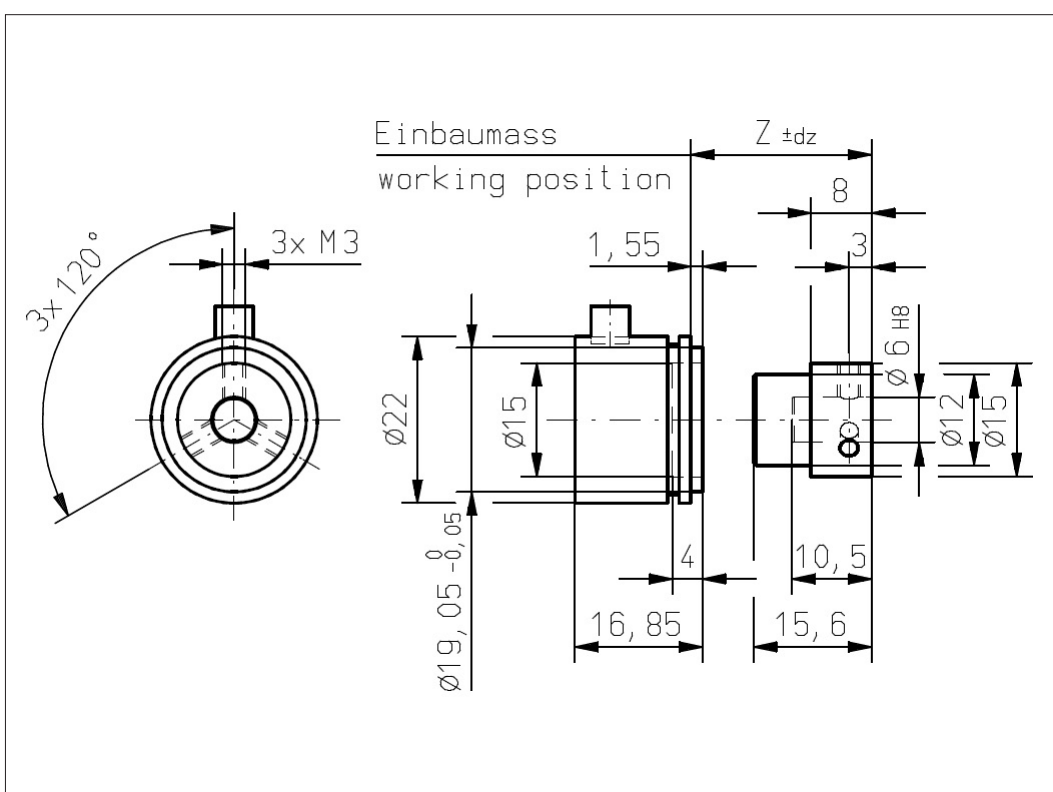
Vert-X 22E2 xxx xxx 4xx
Vert-X 22E2 xxx xxx 6xx

Accessoires (incl.)

- 1x Fixation clip
- 2x Slotted cylinder head screw M3x8

Working position (Z) and max. permitted misalignment of the magnetic actuator

see mounting information



Errors and omissions excepted. Subject to change without notice. / State: 01.10.10

Contelec AG
 Portstrasse 38
 CH-2503 Biel/Bienne
 Phone +41 (0)32 3665600
 Telefax +41 (0)32 3665604
 sales@contelec.ch



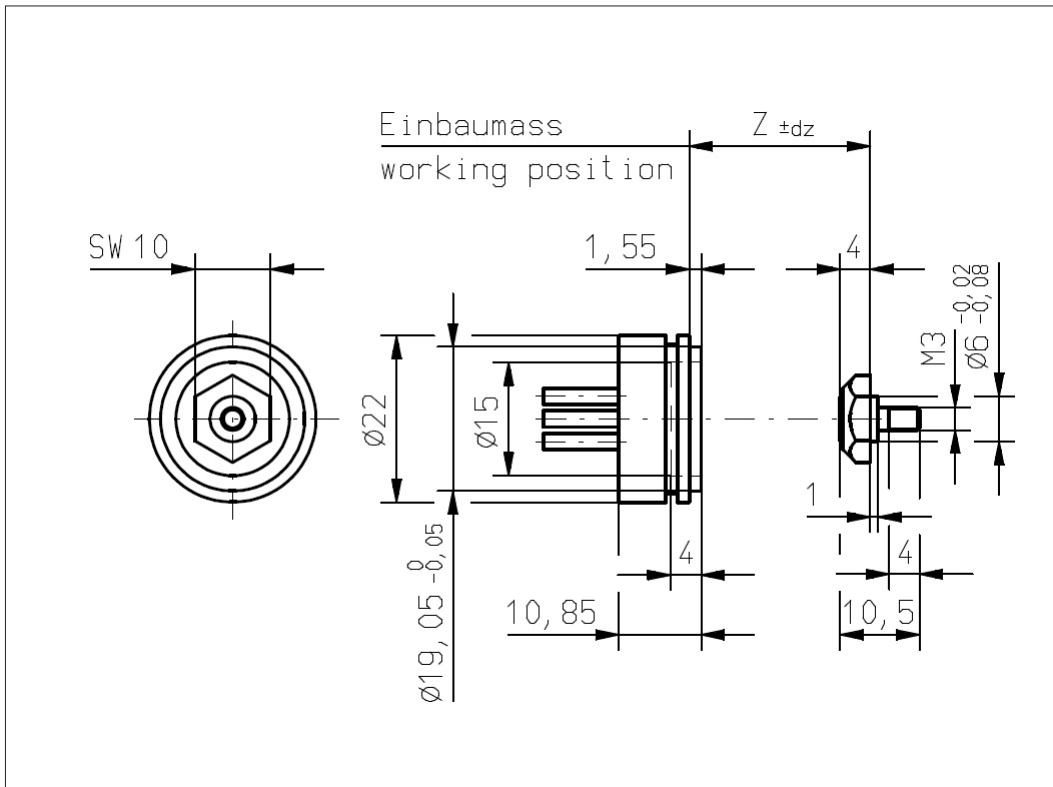
Vert-X 22E1 xxx xxx 5xx
Vert-X 22E1 xxx xxx 7xx

Accessoires (incl.)

- 1x Fixation clip
- 2x Slotted cylinder head screw M3x8

Working position (Z) and max. permitted misalignment of the magnetic actuator

see mounting information



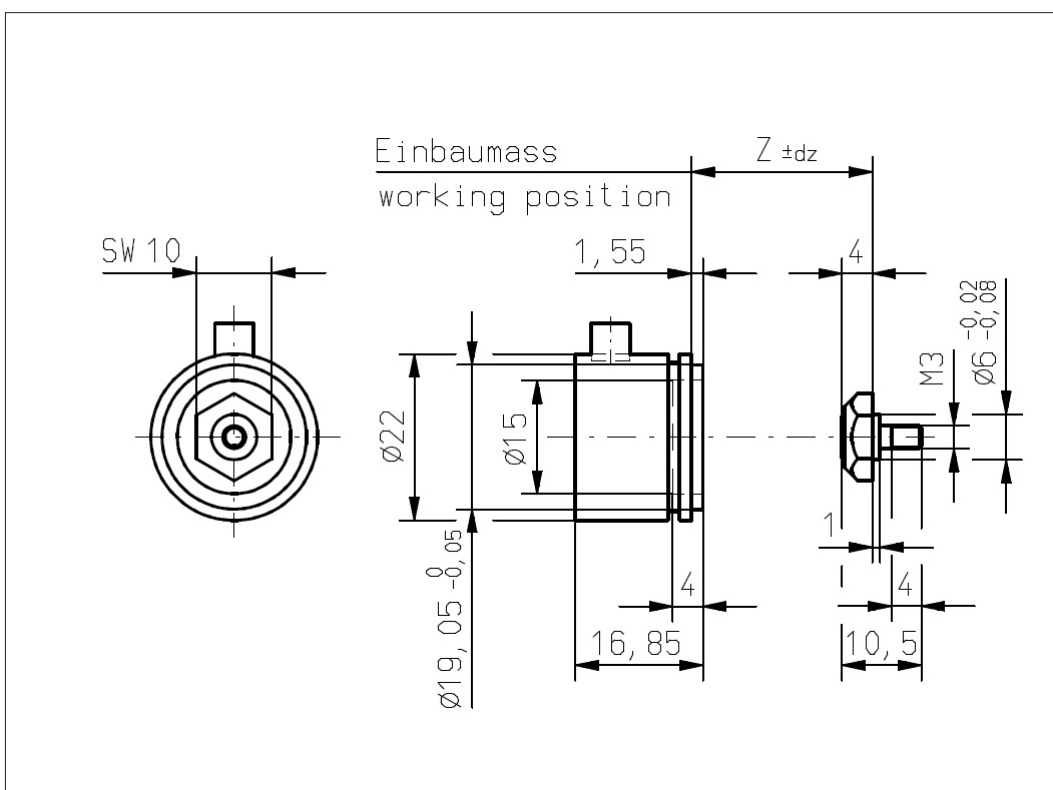
Vert-X 22E1 xxx xxx 4xx
Vert-X 22E1 xxx xxx 6xx

Accessoires (incl.)

- 1x Fixation clip
- 2x Slotted cylinder head screw M3x8

Working position (Z) and max. permitted misalignment of the magnetic actuator

see mounting information



Errors and omissions excepted. Subject to change without notice. / State: 01.10.10

Contelec AG
 Portstrasse 38
 CH-2503 Biel/Bienne
 Phone +41 (0)32 3665600
 Telefax +41 (0)32 3665604
 sales@contelec.ch



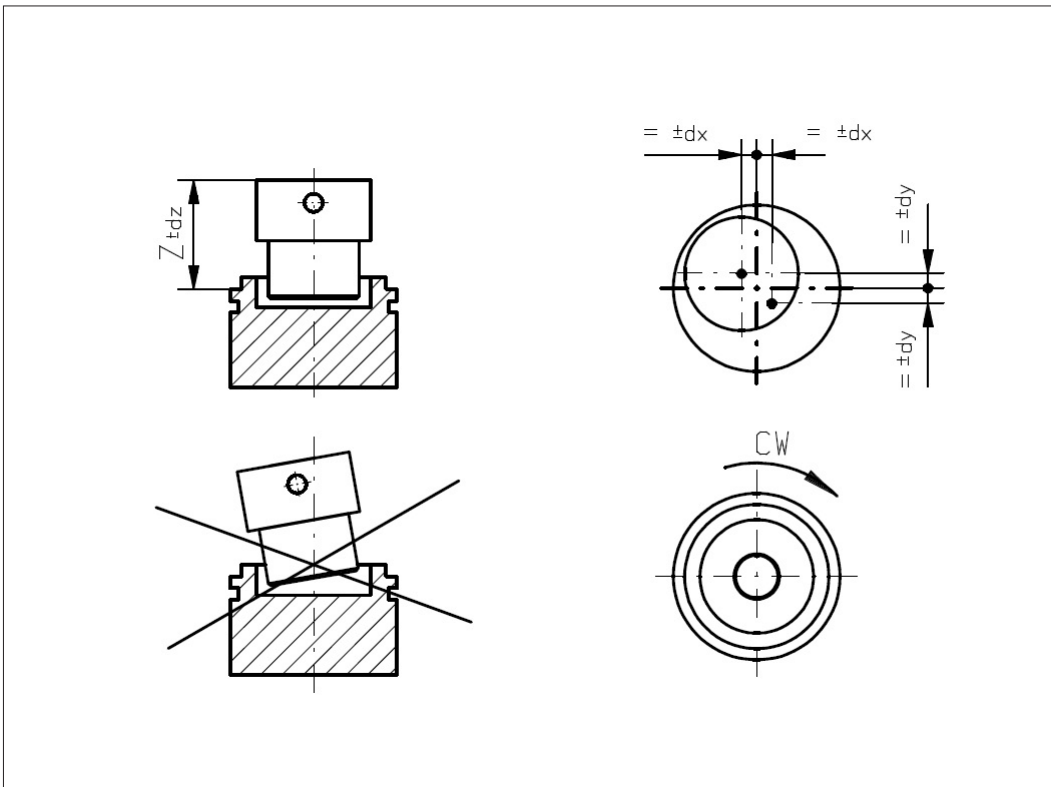
Vert-X 22E2
Mounting information

Working position (Z)

MH-C	14.40mm
MH-C redundant	13.90mm
MH-C2	14.40mm

Max. permitted misalignment of the magnetic actuator

dx	±0.25mm
dy	±0.25mm
dz	±0.5mm



Vert-X 22E1
Mounting information

Working position (Z)

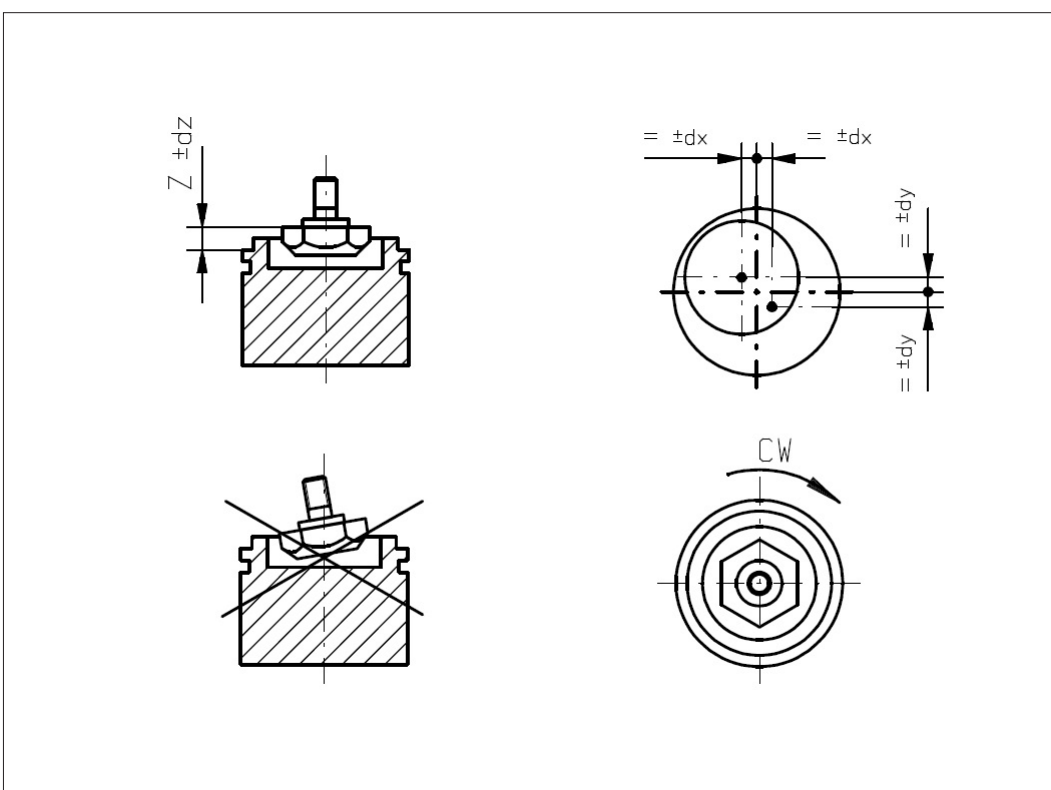
MH-C	3.00mm
MH-C redundant	2.50mm
MH-C2	3.00mm

Max. permitted misalignment of the magnetic actuator

dx	±0.25mm
dy	±0.25mm
dz	±0.5mm

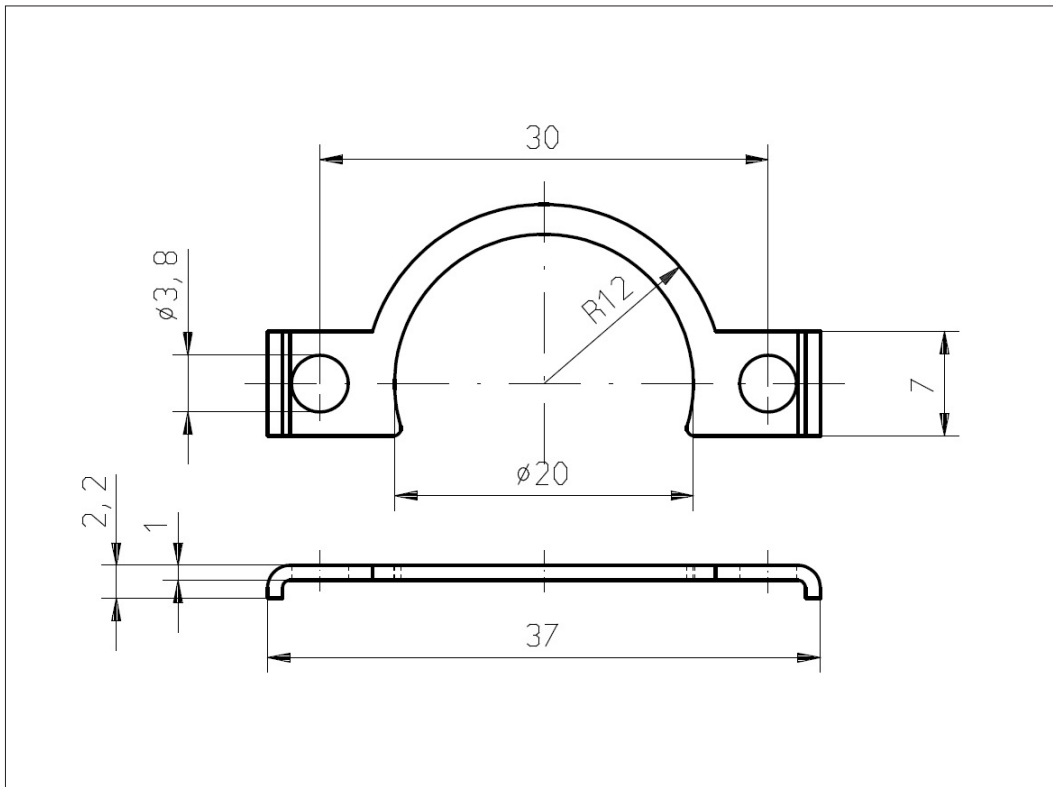
Errors and omissions excepted. Subject to change without notice. / State: 01.10.10

Contelec AG
Portstrasse 38
CH-2503 Biel/Bienne
Phone +41 (0)32 3665600
Telefax +41 (0)32 3665604
sales@contelec.ch





Vert-X 22E
Accessoires
Fixation clip



Errors and omissions excepted. Subject to change without notice. / State: 01.10.10

Contelec AG
Portstrasse 38
CH-2503 Biel/Bienne
Phone +41 (0)32 3665600
Telefax +41 (0)32 3665604
sales@contelec.ch

CONTELEC
A company of the Siedle-Group