

VPS410-x 10:1 Voltage Probe Set, 300 MHz VPS410-II-x 10:1 Voltage Probe Set, 500 MHz

Double insulated voltage probe sets for ScopeMeter 190-Series II test tools, targeting industrial applications.

For electronics applications, the more compact VPS510 series is recommended.

Models and Colors available:

VPS410-R	Red, 10:1, 300 MHz
VPS410-B	Blue, 10:1, 300 MHz
VPS410-G	Grey, 10:1, 300 MHz
VPS410-V	Green, 10:1, 300 MHz
VPS410-II-R	Red, 10:1, 500 MHz
VPS410-II-B	Blue, 10:1, 500 MHz
VPS410-II-G	Grey, 10:1, 500 MHz
VPS410-II-V	Green, 10:1, 500 MHz

The most visible difference between the VPS410 and VPS410-II is in the use of a black ring on the BNC-connector for the VPS410 (as seen on the photograph, left, top section), versus a colored ring on the VPS410-II (see photo, lower section).

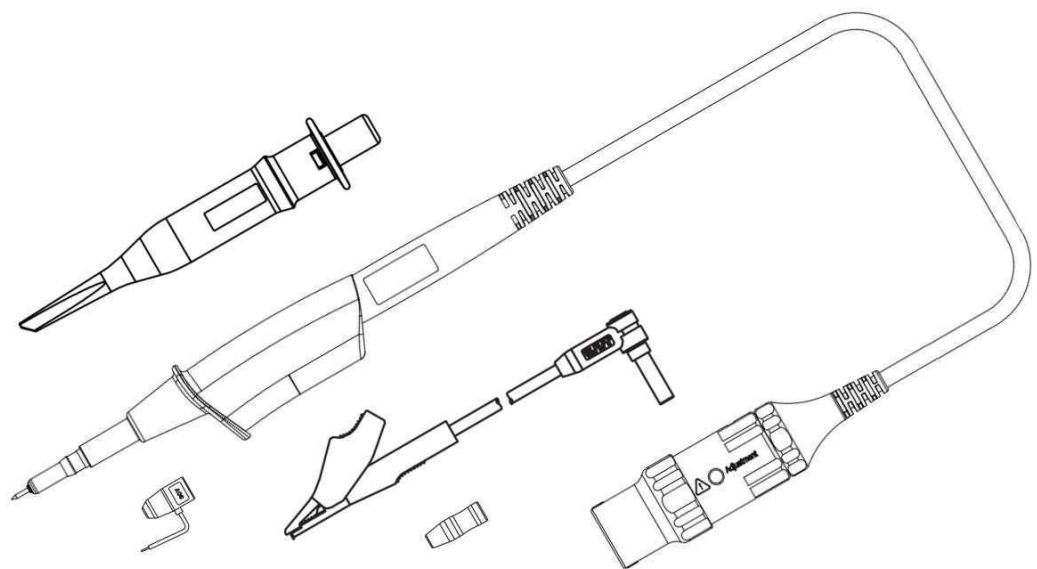
Typenumber is included on the side of the probe body.



VPS410



VPS410-II



	VPS410-x	VPS410-II-x
Specification valid when probe is used with model:	190-series-II	190-50x
Voltage attenuation:	10:1	10:1
Bandwidth:	300 MHz	500 MHz
Maximum input voltage:	CAT III 1000V / CAT IV 600V	
Maximum Voltage to ground:	CAT III 1000V / CAT IV 600V	
Input Resistance:	10 MOhm	
Input Capacitance:	12 pF nom.	11.5 pF nom.
Compensation Range:	10 ~ 22 pF	
Cable length:	1.2m (3.9 ft)	
Safety:	IEC/EN 61010-031:2008 UL 61010B-031 CSA C22.2 No. 1010.2.031	
Working Voltage:	1000V CAT III / 600V CAT IV	
Each probe set includes:	<ul style="list-style-type: none"> * Probe assembly (main item), * Hook clip for probe tip (black), * Insulation sleeve for probe tip (black), * Reference lead with mini alligator clip (black), * Ground spring (black). 	
NOTE: Always apply either the insulation sleeve or the hook clip over the probe tip, when using the ground lead!		
Specification valid when used with Fluke 190-Series II ScopeMeter test tool (see note)		
<p>Note: the specification and the voltage rating of these probes are optimized for use with the 190-series-II instruments. These probes may also be used with the Fluke 190C-series and with earlier ScopeMeter models, however special care should be taken when it comes to the overall specification of such combination. The overall rating is determined by the part that has the lowest rating ('the weakest link').</p>		

Models and Colors available

VPS410-R	Red	Fluke item# 3894707
VPS410-B	Blue	Fluke item# 3894718
VPS410-G	Grey	Fluke item# 3894729
VPS410-V	Green	Fluke item# 3894734
VPS410-II-R	Red	Fluke item# 4276928
VPS410-II-B	Blue	Fluke item# 4276937
VPS410-II-G	Grey	Fluke item# 4276943
VPS410-II-V	Green	Fluke item# 4276955