

# FELLER GMBH

A-2525 GUENSELSDORF, AUSTRIA - TEL.: .. 43(2256) 62 32 50 - FAX: .. 43 (2256) 62 32 57  
e-mail: sales@feller-at.com http://www.feller-at.com

## Description: VIIG-H05VVF3G100-C13/2,50m,black

(L64)

Rating of cord set: 10A/250Vac

### 1. PLUG: Type VIIG

Molded plug according to : CEE (7) VII, IEC60884  
Rated current and voltage : 16A, 250 V AC  
Plugbase : thermoplastic Polyester(PBTP) GFR  
Construction : double insulated  
Pins : brass, nickel-plated, crimped  
Pins outer diameter : 4,8 mm  
Outer mold : PVC compound, hardness Shore A75-77  
Approvals : VDE, ÖVE, CEBEC, KEMA, S, D, N, FI, LCIE, IMQ, UCIEE

### 2. CORD: Type H05VVF3G100mm<sup>2</sup>

Flexible cord according to : HD 21.S2; AS 3191  
Marked : \*JF\* <ÖVE> <HAR> H05VVF3G1,0mm<sup>2</sup> \*N1095\*CE  
\*CCC 227 IEC 53(RVV) 300/500 3x1,0\*VCTF3CX1,0mm<sup>2</sup>  
Number of cores : 3  
Conductor construction : 31x0,195 mm O.D. 1,25mm  
Conductor insulation : Extruded PVC O.D. 2,40mm  
Jacket : Extruded PVC O.D. 6,80mm +/- 0,20mm  
Resistance of conductors : max. 19,5 Ω/km  
Dielectric strength : 2kVac, 1min.  
Insulation resistance : >0,010 MOhm/km  
Color of conductors : yellow/green,brown,blue  
Approvals : HARMONIZED, VDE, ÖVE, CEBEC, KEMA, S, D, N, FI, SEV, LCIE, IMQ, BSI, SAA, UCIEE, CCC, KTL

### 3. CONNECTOR: Type C13

Molded connector according to : EN/IEC 60320/C13, UL 817,C22.2 No. 21, GB17465.1  
Rated current and voltage : 10 A, 250 V AC  
Construction : double insulation  
Contacts of the connection : self-adjusting phosphor bronze CuSn6  
Inner insulation : PPO GFR  
Outer mold : PVC compound, hardness Shore A 75-77  
Approvals : ENEC, SAA, UCIEE, UL, CSA, PSE(JET), CCC

### Environmental conformity

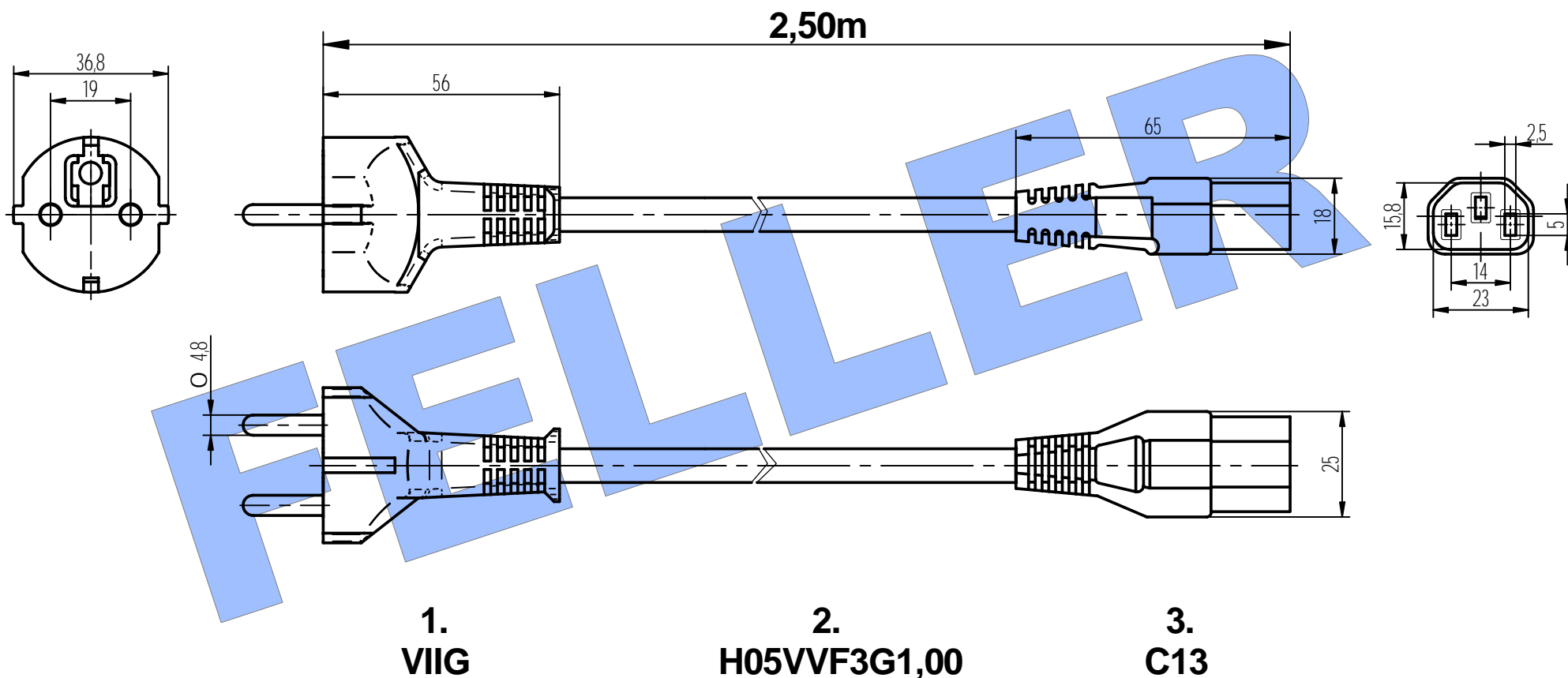
: EU-Directive 2002/96/EC (WEEE)  
EU-Directive 2003/11/EC (Council Directive 76/769/EEC)  
EU-Directive 2002/95/EC (RoHS-compliant)

### TESTING

Electrical testing : 100%  
Visual inspection : 100%  
High pot test wire to wire : 3.000Vac for 2 sec.  
Continuity test : 25Aac to grounding / 20Aac to line and neutral  
Polarity test : yes  
Skin high pot test : 6.000Vac line to skin

Tolerances not indicated in the drawing: +/- 2 %  
design subject to change without prior notice

DATE of ISSUE:	July, 2005		
REV: 1	1	ORIG:	mk



**Feller Type: VIIG-H05VVF3G1,00-C13 / 2,50m, black (L64)**

**RoHS compliant**

21.06.05

**All dimensions in mm**

**FELLER** 

A-2525 Günselsdorf, Austria  
 Telefon 0043-2256-62325-0  
 Fax:0043-2256-62325-7  
 email: sales@feller-at.com  
 http://www.feller-at.com