

DVI/Audio Cat 5 Extender with MK Wall Plate

VE607

- The VE607 DVI/Audio Cat 5 Extender with MK Wall Plate is designed to be conveniently mounted in a one-gang junction box for UK, Singapore, Hong Kong and other markets that apply MK type junction boxes. It extends DVI and audio signals up to 60 m over Cat 5 cable and supports wide screen formats while ensuring excellent video quality.

The VE607 can be easily powered at either the transmitter or receiver side using a second Cat 5e cable. The VE607's compact wall plate design does away with bulky cables allowing a neat and convenient installation. Therefore, it is a perfect solution for function rooms, museums and any setting that requires equipment or cabling to be kept from the public's view.

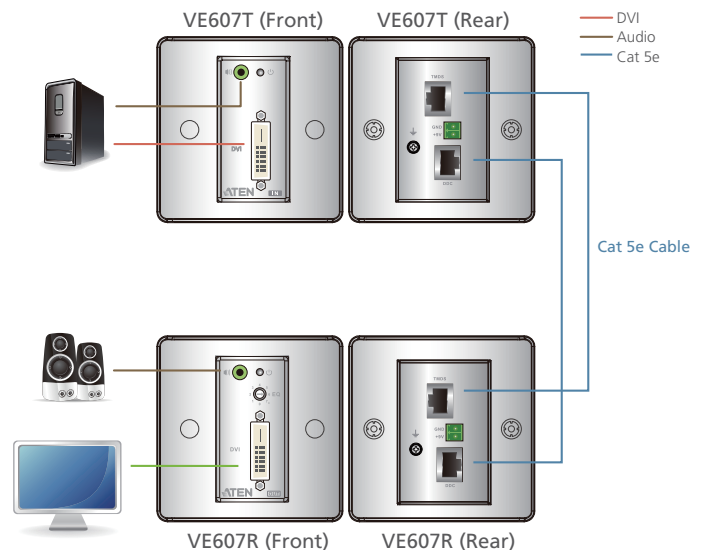


Features

- Uses two Cat 5e cables to connect the local and remote units- one to transmit video, and another for power*
- Remotely powered from either the transmitter or receiver side**
- Extends the distance between DVI source and DVI display
- Supports superior video quality up to 1080p @ 60 Hz at a distance of 40 m; 1080i @ 60 Hz at a distance of 60 m
- Designed to mount in one-gang junction box for UK, Singapore, Hong Kong and other markets that apply MK type junction boxes.
- Supports 8 segment equalization adjustment via switch
- Supports wide screen formats
- Supports hot-plugging
- Supports stereo audio
- Built-in 8KV/ 15 KV ESD protection
- Plug-and-play with no software installation required
- LED indication of power sources / connection status

* A second Cat 5e cable connection is required to remotely power on either the transmitter or receiver

** A power adapter is provided with this package and can be used at either the transmitter or receiver side, which in turn remotely powers the other unit



Specifications

Function	VE607R	VE607T
Video Input		
Interfaces	N/A	1 x DVI-D Female (White)
Impedance	N/A	100 Ω
Video Output		
Interfaces	1 x DVI-D Female (White)	N/A
Impedance	100 Ω	N/A
Video		
Max. Data Rate	6.75 Gbps (2.25 Gbps Per Lane)	
Max. Pixel Clock	225 MHz	
Compliance	HDCP Compatible	
Max. Resolutions / Distance	Up to 1920 x 1200 @ 40 m; 1280 x 1024 @ 60 m	
Audio		
Input	N/A	1 x Mini Stereo Jack Female (Green)
Output	1 x Mini Stereo Jack Female (Green)	N/A
Power		
Connectors	1 x Terminal Block (Green)	
Consumption	9 VDC, 2.9 W	
Environmental		
Operating Temperature	0° to 50° C	
Storage Temperature	-20° to 60° C	
Humidity	0 - 80% RH, Non-Condensing	
Physical Properties		
Housing	Metal	Metal
Weight	0.16 kg	0.16 kg
Dimensions (L x W x H)	6.86 x 4.44 x 4.34 cm	6.86 x 4.44 x 4.34 cm

