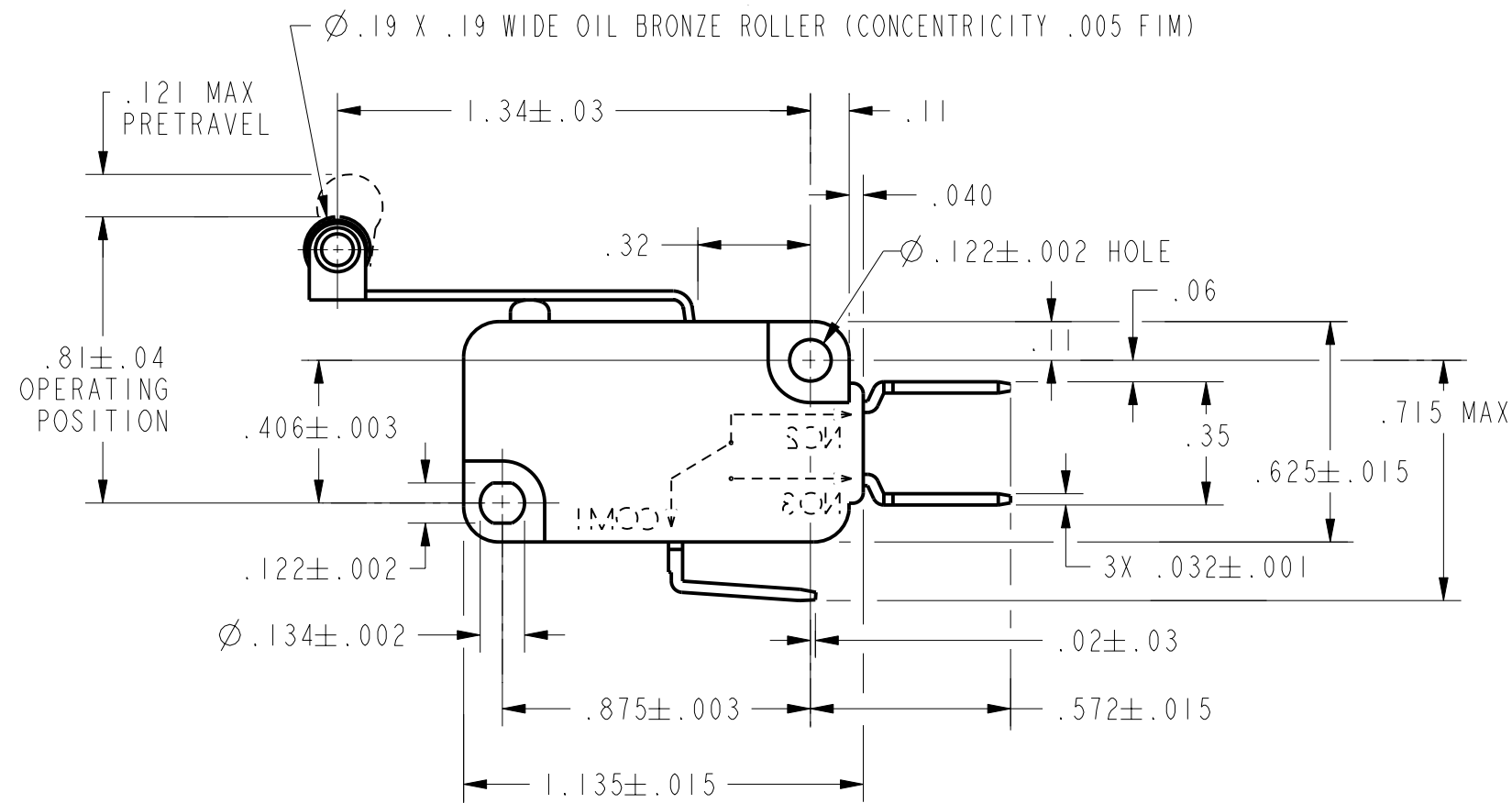
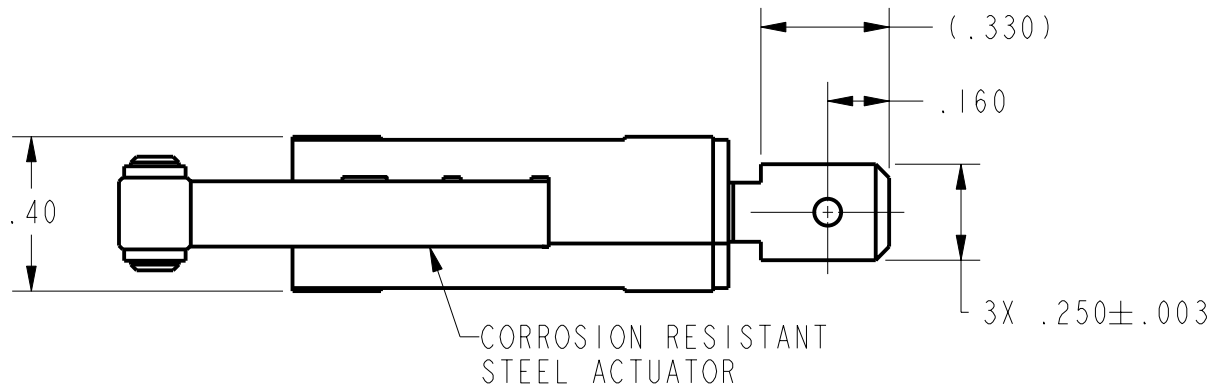


CW-B4143

REV	DOCUMENT	CHANGED BY	CHECK
4	202161	DCS 17JAN01	SAV
5	207382	TSM 12FEB03	SAV



CHARACTERISTICS	
OPERATING FORCE-----	86 GRAMS MAX
RELEASE FORCE -----	9 GRAMS MIN
DIFFERENTIAL TRAVEL-----	.027 MAX
OVERTRAVEL-----	.068 MIN
RELEASE TRAVEL-----	.016 MIN

ELECTRICAL DATA	
CONTACT ARRANGEMENT S P D T	
L156 11A 1/3HP 125, 250 OR 277 VAC 1/2A 125 VDC, 1/4A 250 VDC 4A 125 VAC "L"	

UNLESS OTHERWISE SPECIFIED TOLERANCES ARE:			
	<input checked="" type="checkbox"/> US (inch) CUSTOMARY	<input type="checkbox"/> SI (mm) METRIC	
NO PLACE	X	±.040	±1
ONE PLACE	.X	±.030	±0,4
TWO PLACE	.XX	±.015	±0,15
THREE PLACE	.XXX	±.005	±
ANGLES		±	±
RAW MATERIAL-COMMERCIAL STANDARD			
THIRD ANGLE PROJECTION			

DRAWN	DCS	17JAN01
CHECK	SAV	17JAN01
THIS DRAWING COVERS A PROPRIETARY ITEM AND IS THE PROPERTY OF HONEYWELL. THIS DRAWING IS NOT TO BE COPIED OR USED WITHOUT THE PERMISSION OF HONEYWELL.		
PTC 2D	ASME Y14.5M-1994	

Honeywell			
TITLE SWITCH BASIC			
SIZE	DWG TYPE	DRAWING NAME	REV
B	I	V7-1B10E9-207	5
SCALE	2:1	WEIGHT	SHEET 1 OF 1