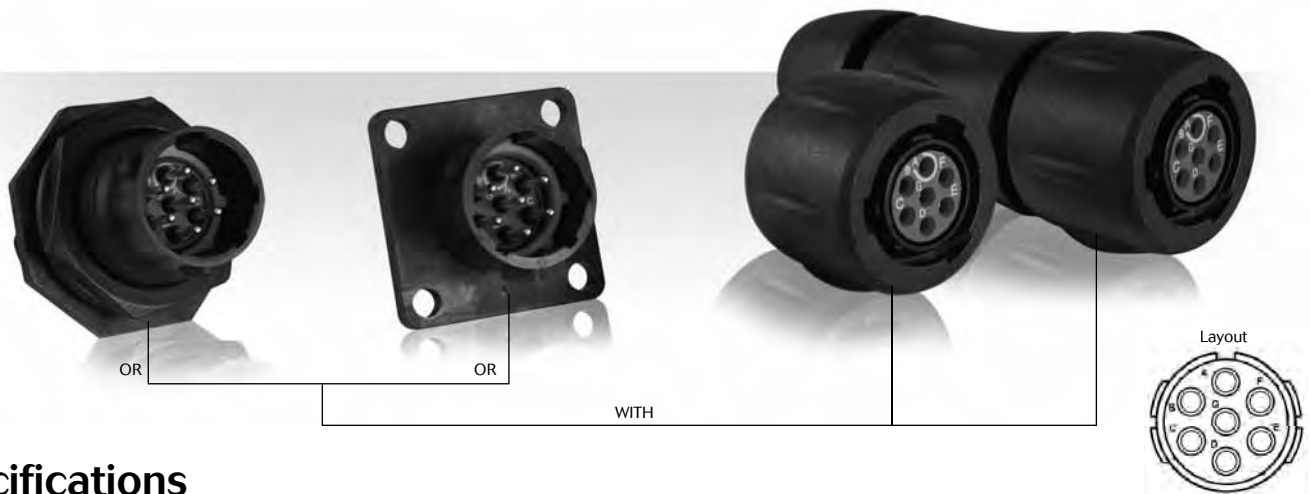


# UTS Series

## 10E7/10D7



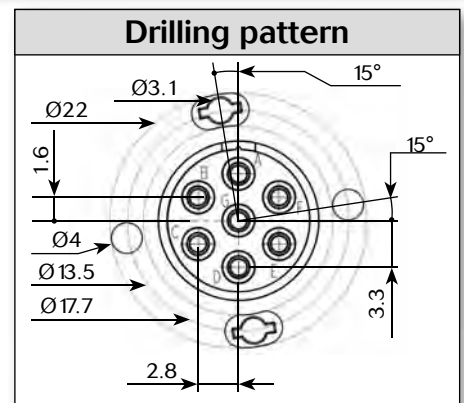
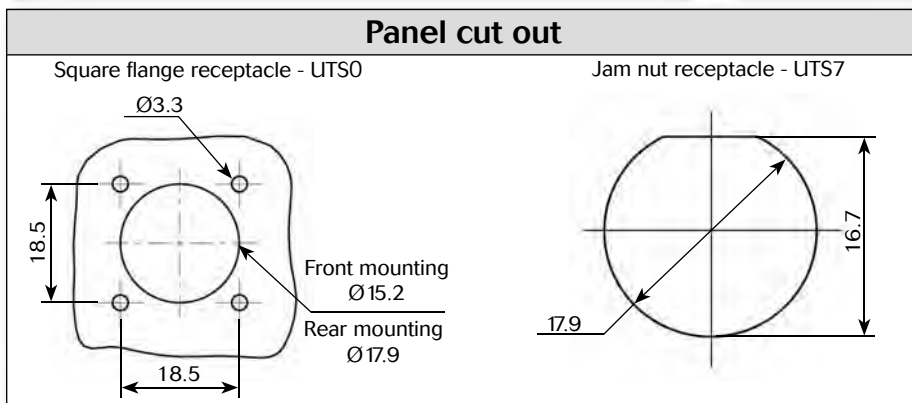
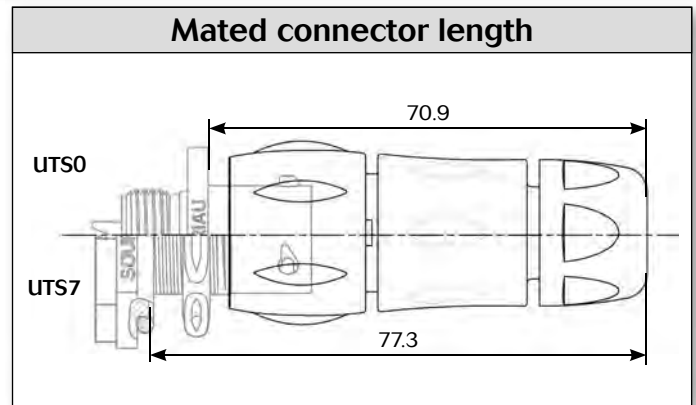
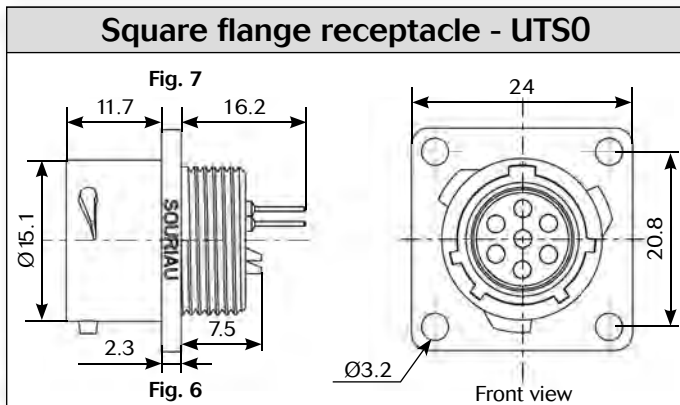
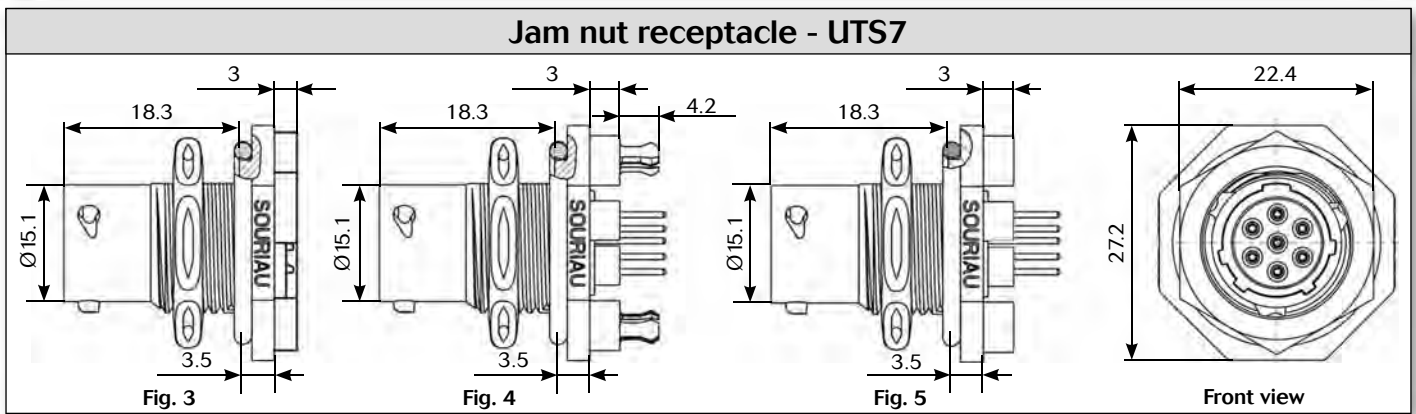
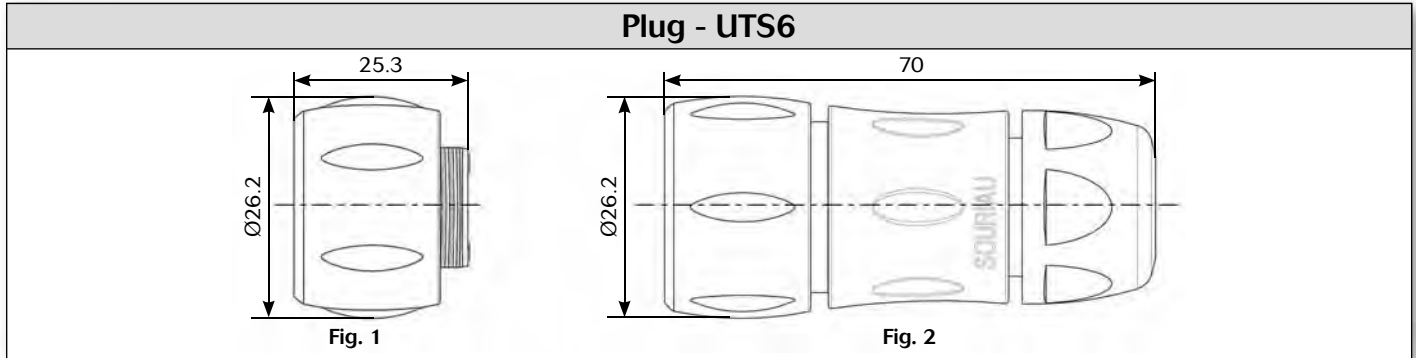
## Specifications

| Contact type                           | Connector type   | Backshell           | Part number |               |
|--|--|---------------------|-------------|---------------|
|  |  |                     | Male insert | Female insert |
| Hand solder electrical contacts loaded | Square flange receptacle                                     | Without (Fig.6)     | UTS010E7P   | UTS010E7S     |
|  | Plug   | Without (Fig.1)     | UTS610E7P   | UTS610E7S     |
|  |  | Cable gland (Fig.2) | UTS6JC10E7P | UTS6JC10E7S   |
|  | Jam nut receptacle   | Without (Fig.3)     | UTS710E7P   | UTS710E7S     |
| PCB contacts loaded                    | Square flange receptacle                                     | Without (Fig.7)     | UTS010D7P   | UTS010D7S     |
|  | Jam nut receptacle with stand off and with hold down clips   | Without (Fig.4)     | UTS710D7P32 | UTS710D7S32   |
|  | Jam nut receptacle with stand off and without hold down clip | Without (Fig.5)     | UTS710D7P   | UTS710D7S     |

Sealed unmated



### Dimensions



Note: all dimensions are in mm



### Accessories

#### Jam nut sealing caps

|             |             |
|-------------|-------------|
| Part number | Part number |
| UTS10DCG    | UTS10DCGR   |

Metal terminal

#### Plug sealing cap

|             |
|-------------|
| Part number |
| UTS610DCG   |

#### Square flange sealing cap

|             |
|-------------|
| Part number |
| UTS10DCGE   |

Metal terminal

#### Plastic protective cap

| Part numbers   |          |
|----------------|----------|
| Receptacle cap | Plug cap |
| 85005586A      | 85005595 |

#### Gasket

| Part numbers / neoprene |
|-------------------------|
| UTFD12B                 |

#### Color coding rings

G for Green  
Y for Yellow  
R for Red

| Part numbers |            |
|--------------|------------|
| Receptacles  | Plugs      |
| UTS710CCR    | UTS610CCR  |
| UTS710CCRY   | UTS610CCRY |
| UTS710CCRG   | UTS610CCRG |

\* Add G for Green, Y for Yellow, R for Red

#### Electrical characteristics

**UL**  
6A 250V UL94 HB

**CSA**  
6A 250V UL94 HB

**IEC**  
7A 50V 1.5kV 3

