

Overview

- Enables fast and easy connection of IO-Link devices to the PC and the Baumer Sensor Suite.
- Compact IO-Link Master perfectly suited for testing and selection of IO-Link devices.
- Future-oriented data interface and power supply via USB-C.



Technical data

General data

Communication Interfaces	IO-Link USB-C
Software	Baumer Sensor Suite

Communication interface IO-Link

IO-Link port type	Class A
Number of connections	1
Number of input and outputs	Digital Output (DO) Digital Input (DI) 1 x IO-Link
Output current L+/L-	200 mA
Output current C/Q	200 mA
Short-circuit-proof	Yes
Reverse polarity protected	Yes

Mechanical data

Model	Cubic
Enclosure	Polyamide 66
Width	27 mm
Height	12 mm
Depth	59 mm

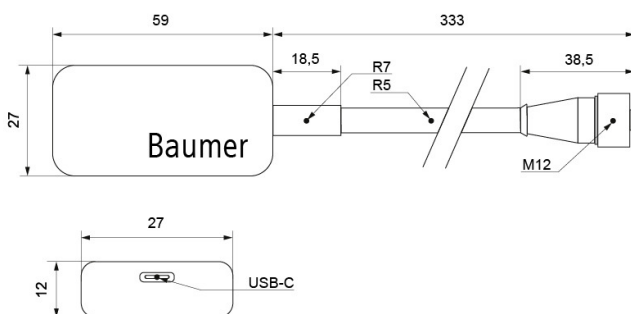
Environmental conditions

Operating temperature	0 °C ... + 70 °C
Storage temperature	- 40 °C ... + 70 °C

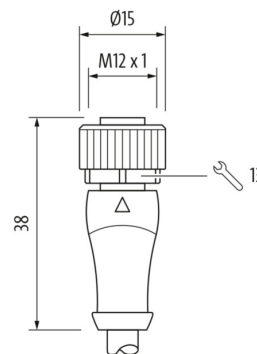
Electrical data

Power supply	20 V
Connector	USB-C

Dimensional drawings (mm)



Technical drawing



Technical drawing

