

## Remote-I/O - u-remote UR20-4AI-UI-16

**Weidmüller Interface GmbH & Co. KG**  
 Klingenbergstraße 16  
 D-32758 Detmold  
 Germany  
 Fon: +49 5231 14-0  
 Fax: +49 5231 14-292083  
 www.weidmueller.com



### Inputs can be parameterised; up to 3-wire + FE; accuracy 0.1% FSR

Analogue input modules of the u-remote system are available in many variants with different resolutions and wiring solutions.

Variants are available with 12- and 16-bit resolution, which record up to 4 analogue sensors with +/-10 V, +/-5 V, 0...10 V, 0...5 V, 2...10 V, 1...5 V, 0...20 mA or 4...20 mA with maximum accuracy. Each plug-in connector can optionally connect sensors with 2- or 3-wire technology. The parameters for the measurement range can be individually set for each channel. In addition, each channel has its own status LED. A special variant for Weidmüller interface units enables current measurements with 16-bit resolution and maximum accuracy for 8 sensors at a time (0...20 mA or 4...20 mA).

The module electronics supply the connected sensors with power from the input current path ( $U_{IN}$ ).

### General ordering data

Type	UR20-4AI-UI-16
Order No.	<a href="#">1315620000</a>
Version	Remote I/O module, IP 20, Analog signals, Input, 4-channel, 16 Bit
GTIN (EAN)	4050118118551

**Remote-I/O - u-remote  
UR20-4AI-UI-16**

**Weidmüller Interface GmbH & Co. KG**  
Klingenbergstraße 16  
D-32758 Detmold  
Germany  
Fon: +49 5231 14-0  
Fax: +49 5231 14-292083  
www.weidmueller.com

**Technical data**
**Dimensions and weights**

Width	11.5 mm	Width (inches)	0.453 inch
Height	120 mm	Height (inches)	4.724 inch
Depth	76 mm	Depth (inches)	2.992 inch
Mounting dimension - height	128 mm	Weight	103 g
Net weight	89 g		

**Temperatures**

Operating temperature	-20 °C ... +60 °C	Storage temperature	-40 °C ... +85 °C
-----------------------	-------------------	---------------------	-------------------

**analogue inputs**

Accuracy	0.1% FSR	Conversion time	1 ms
Individual channel diagnosis	No	Internal resistance I	41.2 Ω
Internal resistance U	100 kΩ	Module diagnosis	Yes
Number	4	Resolution	16 Bit
Reverse polarity protection	Yes	Sensor connection	Dual conductor, Triple conductor, Triple conductor + FE
Type	1. U (0...5 V, 0...10 V, 1...5 V, 2...10 V, ±10 V), 2. I (0-20 mA or 4-20 mA), Adjustable input for current or voltage		

**Connection data**

Type of connection	PUSH IN	Wire connection cross section, finely stranded, max.	1.5 mm <sup>2</sup>
Wire connection cross-section, finely stranded, min.	0.14 mm <sup>2</sup>	Wire cross-section, finely stranded, max. (AWG)	AWG 16
Wire cross-section, finely stranded, min. (AWG)	AWG 26	Wire cross-section, solid, max.	1.5 mm <sup>2</sup>
Wire cross-section, solid, max. (AWG)	AWG 16	Wire cross-section, solid, min.	0.14 mm <sup>2</sup>
Wire cross-section, solid, min. (AWG)	AWG 26		

**General data**

Air humidity (operation)	10% to 95%, non-condensing as per DIN EN 61131-2	Air humidity (storage)	10% to 95%, non-condensing as per DIN EN 61131-2
Air humidity (transport)	10% to 95%, non-condensing as per DIN EN 61131-2	Air pressure (operation)	≥ 795 hPa (height ≤ 2000 m) as per DIN EN 61131-2
Air pressure (storage)	1013 hPa (height 0 m) to 700 hPa (height 3000 m) as per DIN EN 61131-2	Air pressure (transport)	1013 hPa (height 0 m) to 700 hPa (height 3000 m) as per DIN EN 61131-2
Pollution severity	2	Shock	25 g over 6 ms, half sine wave, 1000 shocks per axis and direction as per IEC 60068-2-27
Surge voltage category	II	Test voltage	500 V
UL 94 flammability rating	V-0	Vibration-proof	5 Hz ≤ f ≤ 8.4 Hz: 3.5 mm amplitude as per IEC 60068-2-6, 8.4 Hz ≤ f ≤ 150 Hz: 1 g acceleration as per IEC 60068-2-6

Creation date November 5, 2015 9:39:12 AM CET

**Data sheet**

**Remote-I/O - u-remote  
UR20-4AI-UI-16**

**Weidmüller Interface GmbH & Co. KG**  
 Klingenbergstraße 16  
 D-32758 Detmold  
 Germany  
 Fon: +49 5231 14-0  
 Fax: +49 5231 14-292083  
 www.weidmueller.com

**Technical data**

**Power supply**

Current consumption from I <sub>IN</sub> (power segment of the field bus coupler), typ. [mA]	8 mA	Current consumption from I <sub>IN</sub> (the respective power segment) [mA]	25 mA + sensor feed
Supply voltage	24 V DC +20%/-15%, via the system bus		

**System data**

Diagnostic data	1 Bit	Galvanic isolation	DC 500 V between current paths
Interface	u-remote system bus	Module type	Analogue input module
Parameter data	14 Byte	Process data	8 Byte
Transmission speed of system bus, max. 48 Mbit			

**Classifications**

ETIM 4.0	EC001596	ETIM 5.0	EC001596
ETIM 6.0	EC001596	eClass 6.2	27-24-26-01
eClass 7.1	27-24-26-01	eClass 8.1	27-24-26-01
eClass 9.0	27-24-26-01		

**Approvals**

Approvals



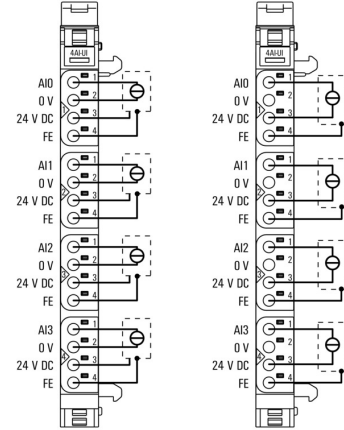
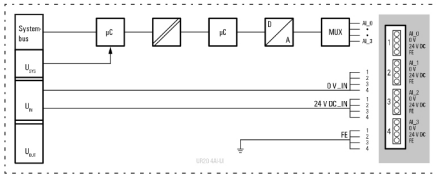
ROHS Conform

**Data sheet**

**Remote-I/O - u-remote  
UR20-4AI-UI-16**

**Weidmüller Interface GmbH & Co. KG**  
 Klingenbergstraße 16  
 D-32758 Detmold  
 Germany  
 Fon: +49 5231 14-0  
 Fax: +49 5231 14-292083  
 www.weidmueller.com

**Drawings**



**Data sheet**

**Remote-I/O - u-remote  
UR20-4AI-UI-16**

**Weidmüller Interface GmbH & Co. KG**  
 Klingenbergstraße 16  
 D-32758 Detmold  
 Germany  
 Fon: +49 5231 14-0  
 Fax: +49 5231 14-292083  
 www.weidmueller.com

**Accessories**

**Custom printing**



Weidmüller has established new market standards with its MultiCard product line. This system is being continually extended with over 200 variants and by consistently extending the portfolio.

**General ordering data**

Available until	Type	Order No.	Version	GTIN (EAN)	Qty.
2014-12-31	Terminal 2.7x2.6 mm SDR	<a href="#">1323700000</a>	PM, Pusher markers, 2.7 x 2.6 mm, Pitch in mm (P): 3.50 Weidmueller, To customer specification	4050118126761	192 pc(s).

**Neutral**



Weidmüller has established new market standards with its MultiCard product line. This system is being continually extended with over 200 variants and by consistently extending the portfolio.

**General ordering data**

Type	Order No.	Version	GTIN (EAN)	Qty.
PM 2.7/2.6 MC NE WS	<a href="#">1323710000</a>	PM, Pusher markers, 2.7 x 2.6 mm, Pitch in mm (P): 3.50 Weidmueller, White	4050118126778	960 pc(s).

## Remote-I/O - u-remote UR20-4AI-UI-16

**Weidmüller Interface GmbH & Co. KG**  
 Klingenbergstraße 16  
 D-32758 Detmold  
 Germany  
 Fon: +49 5231 14-0  
 Fax: +49 5231 14-292083  
 www.weidmueller.com

# Accessories

## TS 35



The active and passive components as well as the intelligent modules are mounted on terminal rails. Terminal rails are made from stainless steel, steel, aluminium, copper or plastic and are available in diverse types to suit different applications.

### General ordering data

Type	Order No.	Version	GTIN (EAN)	Qty.
TS 35X7.5 2M/CRN	<a href="#">1747350000</a>	Mounting rail, TS 35, TS 35 x 7.5, without slot, Stainless steel, untreated, 2000 mm	4032248003372	2 m
TS 35X7.5 2M/AL/BK	<a href="#">0330800000</a>	Mounting rail, TS 35, TS 35 x 7.5, without slot, Aluminium, untreated, 2000 mm	4008190100650	2 m
TS 35X7.5/LL 2M/ST/ZN	<a href="#">0514500000</a>	Mounting rail, TS 35, TS 35 x 7.5, with slot, Steel, galvanized, 2000 mm	4008190046019	2 m
TS 35X7.5 2M/ST/ZN	<a href="#">0383400000</a>	Mounting rail, TS 35, TS 35 x 7.5, without slot, Steel, galvanized, 2000 mm	4008190088026	2 m
TS 35X7.5/LL 1M/ST/ZN	<a href="#">0514510000</a>	Mounting rail, TS 35, TS 35 x 7.5, with slot, Steel, galvanized, 1000 mm	4008190116620	1 m
TS 35X7.5/LL 2M/ST/SZ	<a href="#">7915060000</a>	Mounting rail, TS 35, TS 35 x 7.5, with slot, Steel, galvanized, 2000 mm	4032248296279	2 m

### Custom printing



The Dekafix (DEK) marker is the universal marker for all conductor and plug-in connectors as well as for electronic sub-assemblies. The system is ideal for short number sequences and covers a wide range of ready-printed markers.

Strips for fast installation in only one work step. The printing is easy to read, rich in contrast and available in various widths.

- Large range of ready-to-use markers
- Strips for fast installation
- Terminal markers, suitable for all Weidmüller cable connectors
- Available as blank MultiCard or with standard printing

### General ordering data

Available until	Type	Order No.	Version	GTIN (EAN)	Qty.
2014-12-31	DEK 0508-01.50 MC SDR	<a href="#">1341610000</a>	Dekafix, Terminal	4050118146059	100 pc(s).

Creation date November 5, 2015 9:39:12 AM CET

**Remote-I/O - u-remote  
UR20-4AI-UI-16**

**Weidmüller Interface GmbH & Co. KG**  
 Klingenbergstraße 16  
 D-32758 Detmold  
 Germany  
 Fon: +49 5231 14-0  
 Fax: +49 5231 14-292083  
 www.weidmueller.com

**Accessories**

Pitch in mm (P):  
 8.00 Weidmueller,  
 To customer  
 specification

**Neutral**


The Dekafix (DEK) marker is the universal marker for all conductor and plug-in connectors as well as for electronic sub-assemblies. The system is ideal for short number sequences and covers a wide range of ready-printed markers.

Strips for fast installation in only one work step. The printing is easy to read, rich in contrast and available in various widths.

- Large range of ready-to-use markers
- Strips for fast installation
- Terminal markers, suitable for all Weidmüller cable connectors
- Available as blank MultiCard or with standard printing

**General ordering data**

Type	Order No.	Version	GTIN (EAN)	Qty.
DEK 5/8-11.5	<a href="#">1341630000</a>	Dekafix, Terminal marker,	4050118145946	500 pc(s).
MC NE WS		5 x 8 mm, Pitch in mm (P): 8.00 Weidmueller, White		

**Accessories**

**Potential-distribution modules; system accessory**

A wide range of accessory modules is available for individual requirements of machine and plant engineering. Various potential distribution modules are available for the supply of sensors with 2- to 4-wire connection technology directly from the remote I/O system. These offer 16 "PUSH IN" potential points and supply your application with any auxiliary potential available. An empty module, where the system bus and voltage supply are looped through, allows you to plan expansion slots in a system and to start these up without any interruptions if required.

**General ordering data**

Type	Order No.	Version	GTIN (EAN)
UR20-SM-ACC	<a href="#">1339920000</a>	Cover, ,	4050118144727
UR20-EBK-ACC	<a href="#">1346610000</a>	End bracket, ,	4050118151596