

SDHC Class 4

Description

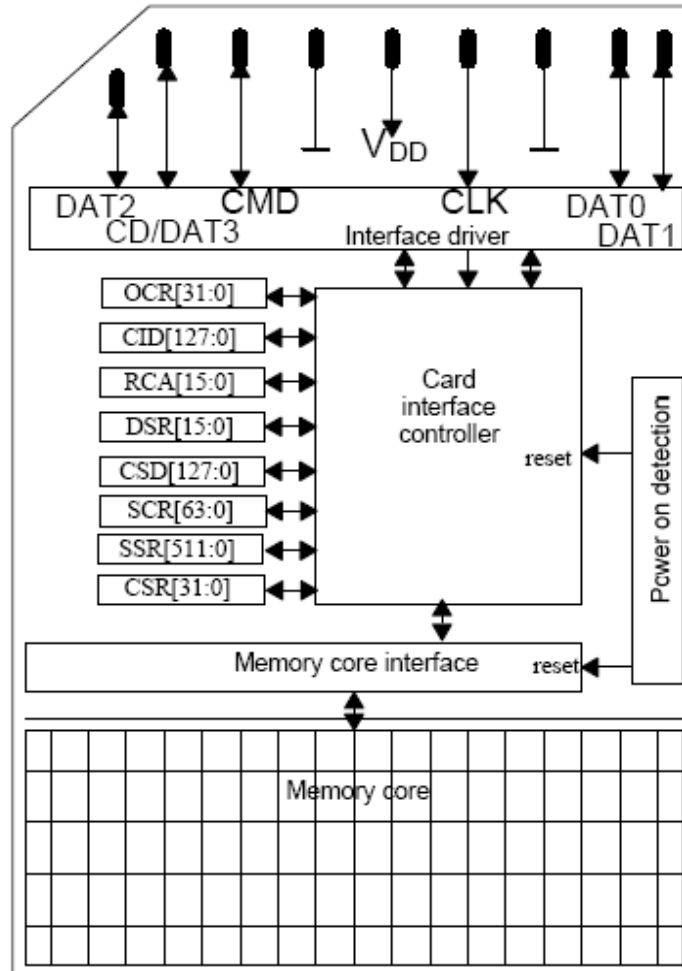
SDHC cards offer increased storage capacity for today's high-megapixel digital still-picture cameras and other devices that require extra storage space. Transcend's SDHC Class 4 cards provide reliable performance, above-average write speeds, and an industry leading lifetime warranty.

Features

- Fully complies with SD 2.0 specifications
- Class 4 rating guarantees reliable write performance
- Easy to use, plug-and-play operation
- Built-in Error Correcting Code (ECC) to detect and correct transfer errors
- Exclusive RecoverRx photo recovery software

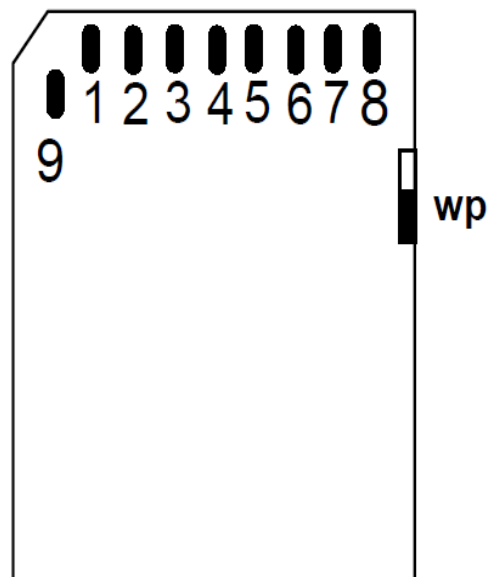


Architecture



Pin Definition

Pin No.	SD Mode		SPI Mode	
	Name	Description	Name	Description
1	CD/DAT3	Card Detect/Data Line [Bit3]	CS	Chip Select (neg true)
2	CMD	Command/Response	DI	Data In
3	V _{SS1}	Supply voltage ground	V _{SS}	Supply voltage ground
4	V _{DD}	Supply voltage	VDD	Supply voltage
5	CLK	Clock	SCLK	Clock
6	V _{SS2}	Supply voltage ground	V _{SS2}	Supply voltage ground
7	DAT0	Data Line [Bit0]	DO	Data out
8	DAT1	Data Line [Bit1]	RSV	Reserved
9	DAT2	Data Line [Bit2]	RSV	Reserved



Specifications

Physical Specification		
Form Factor		SD
Dimensions (mm)	Length	32.00 ± 0.1
	Width	24.00 ± 0.1
	Height	2.1.00 ± 0.15

Environmental Specifications	
Operating Temperature	- 25°C to 85°C
Storage Temperature	- 40°C to 85°C
Durability	10.000 mating cycles
Drop test	1.5m free fall
Regulator	CE/FCC/BSMI

Order information

Capacity	Transcend Part Number
4GB	TS4GSDHC4
8GB	TS8GSDHC4
16GB	TS16GSDHC4
32GB	TS32GSDHC4

The technical information above is based on industry standard data and has been tested to be reliable. However, Transcend makes no warranty, either expressed or implied, as to its accuracy and assumes no liability in connection with the use of this product. Transcend reserves the right to make changes to the specifications at any time without prior notice. Due to the complexity and variety of industrial applications, for special applications and environments, it is strongly suggested to contact Transcend or its authorized resellers beforehand for compatibility confirmation

**TAIWAN**E-mail: sales-tw@transcend-info.com**USA****Los Angeles:**E-mail: sales-us@transcend-info.com**Maryland:**E-mail: sales-us@transcend-info.com**Miami:**E-mail: sales-us@transcend-info.com**Silicon Valley:**E-mail: sales-us@transcend-info.com**GERMANY**E-mail: sales-de@transcend-info.com**THE NETHERLANDS**E-mail: sales-nl@transcend-info.com**United Kingdom**E-mail: sales-uk@transcend-info.com**JAPAN**E-mail: sales-jp@transcend-info.com**KOREA**E-mail: sales-kr@transcend-info.com**CHINA**E-mail: sales@transcendchina.com**HONG KONG**E-mail: sales-hk@transcend-info.com

Revision History

Version	Date	Note
1.0	2016/04/06	The 1 st edition
1.1	2016/10/05	Revise pin definition of SPI mode