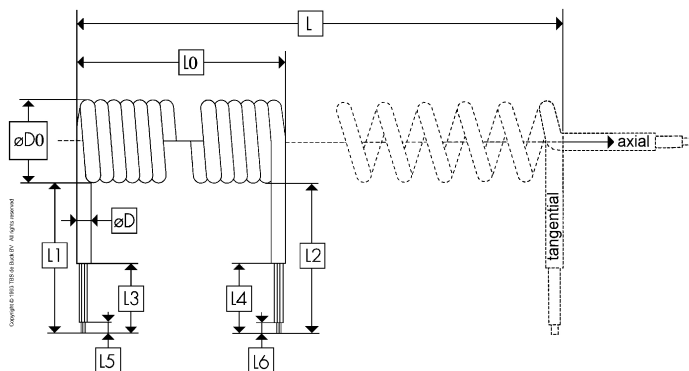


Specification sheet : SP-DSR-019

Firm : Distrelec Group AG
 Address : Grabenstrasse 6
 Zip / City : 8606 NÄNIKON
 Customercode : 13800342 / DSR

TBS partnumber : **SP-DSR-019**
 Date : 20-4-2017
 Your partnumber :

Coiled cable dimensions



L=	5000 mm.	
L0=	1000 mm.	
ØD=	5,6 mm.	
ØD0=	21,2 mm.	
L1=	200 mm.	tangential
L2=	200 mm.	tangential
L3=	mm.	
L4=	mm.	
L5=	mm.	
L6=	mm.	

Weight: ± 0,37 kg / pc

Cable specification

Cable type : LiF11Y11Y 1x2,50 mm² TB17 FLEX
 Stranding : 322x0,10 mm bare copper wires
 Conductor insulation : PUR
 Conductor colours : transparent
 Overall sheath : PUR
 Colour : yellow/green
 Temperature range : -40 °C to +70 °C



Photographs are for illustrative purposes only

Tolerances ± 10% (dimensions and quantities)

Attention: Coiled cables, power cords and (cable)assemblies are customized products, specifically manufactured and supplied upon order. Therefore these products cannot be returned or exchanged in any way. Offer is non-committal, fixed price for up to 6 weeks, subjected to prior sale, subjected to technical changes, especially changes in measurement and construction. All our offers, orders granted to us and (project) contracts/agreements with us are subjected to the METAALUNIE TERMS AND CONDITIONS only. These terms and conditions have been filed at the Registry of the Rotterdam District Court.

The Best Solution
 De Slof 2 5107 RJ Dongen
 The Netherlands
 V.A.T.-nr.: NL 815889215B01

HR Eindhoven nr.: 18048791
 Rabobank Tilburg nr.: 0304.1314.07
 IBAN code : NL39 RABO 0304 1314 07
 BIC code : RABONL2U

Phone : +31 (0) 162 523 436
 E-mail : sales@the-best-solution.com
 Internet : www.the-best-solution.com