

TA52 Magnetic Meter Mount

P/N: TA52

Copyright

© 2016, FLIR Systems, Inc.

All rights reserved worldwide. Names and marks appearing herein are either registered trademarks or trademarks of FLIR Systems and/or its subsidiaries. All other trademarks, trade names or company names referenced herein are used for identification only and are the property of their respective owners.

Document identity

Publ. No.: TA52

Release:

Commit: 36667

Language: en-US

Modified: 2016-06-28

Formatted: 2016-06-28

Website

<http://www.flir.com>

Customer support

<http://support.flir.com>

Disclaimer

Specifications subject to change without further notice. Camera models and accessories subject to regional market considerations. License procedures may apply. Products described herein may be subject to US Export Regulations. Please refer to exportquestions@flir.com with any questions.



General description	
Part number	TA52
Part name	Magnetic Meter Mount
Securely mount your FLIR Clamp Meter to an electrical panel or other magnetic surface for convenient test probe measurements. The low-profile TA52 firmly attaches to the meter's tripod mount and stores easily.	

General information	
Warranty	2 years

Meter physical data	
Screw size	¼"-20 UNC
Magnet strength	12.2–12.5 kg
Weight	45 g (1.6 oz.) approx.
Dimensions (L × W × D)	52.40 × 50.40 × 10.33 mm (2.1 × 2.0 × 0.4 in.)
Color	Black

Shipping information	
Packaging, type	Color, retail box
Packaging, Contents	TA52 Magnetic Meter Mount and Instruction sheet
Each Weight	0.2 kg
Each Dimensions (H × W × L)	16.8 × 7.8 × 2.6 cm
Master Carton Weight	5.5 kg
Master Carton Dimensions (H × W × L)	20.3 × 29.8 × 36.4 cm
Master Carton Quantity	24 (inner of 12)
EAN-13	0793950377529
UPC-12	793950377529
Country of Origin	China
Tariff Code	9030908822

Technical support	
Website	http://support.flir.com
E-mail	TMsupport@flir.com



TA52 Magnetic Meter Mount

P/N: TA52

© 2016, FLIR Systems, Inc.

#TA52; r. /36667; en-US

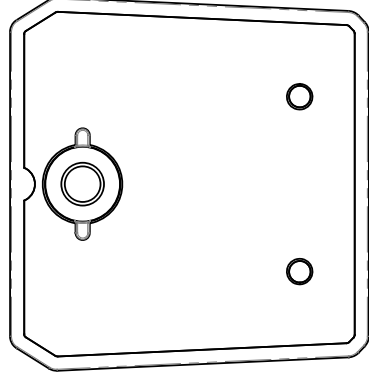
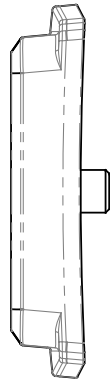
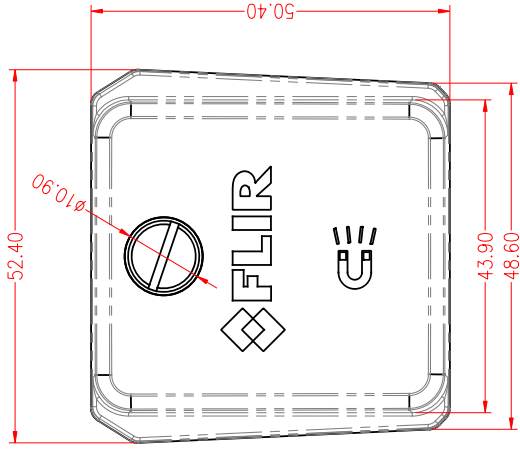
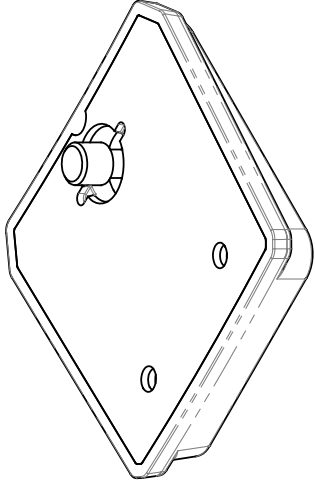
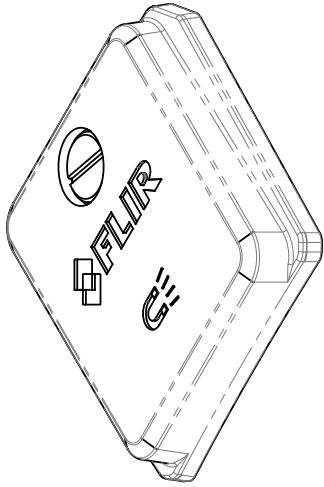
Technical support	
Phone	855-499-3662
Repairs	repair@flir.com

FLIR TA52

Magnet strength info.: 12.2~12.5 KGs

Weight: 45g (Approx)

Tripod screw size and type: 1/4"-20 UNC



TITLE:

FLIR TA52 Magnet_Mount

DWG NO.

A4

SCALE:1:1