



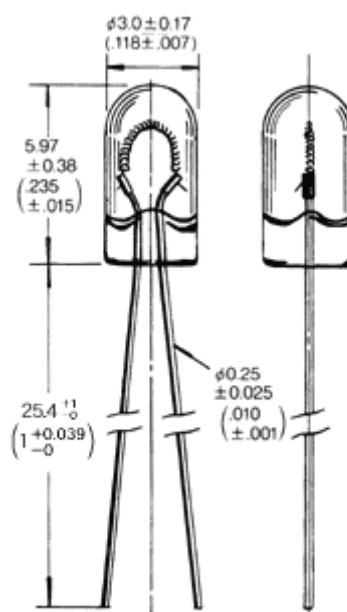
## Wire Terminal

### T-1 Wire Terminal

Line Nos.	Oshino Lamp Numbers	Design Volts	Design Amps	AVG. MSCd	Filament shape	Life (hours)
1	OL-3413	2.25	.30	.45	C-2R	20
2	OL-3017	3.0	.008	.001	C-6	16,000
3	OL-2128	3.0	.012	.0005	C-6	25,000
4	OL-3037	3.0	.04	.03	C-2R	10,000
5	OL-3010	3.0	.06	.03	C-2R	50,000
6	OL-3011	3.0	.12	.15	C-2R	3,000
7	OL-3001	5.0	.015	.002	C-2V	25,000
8	OL-3043	5.0	.02	.02	C-2R	20,000
9	OL-3019	5.0	.021	.034	C-2R	10,000
10	OL-3056	5.0	.03	.03	C-2R	16,000
11	OL-3009	5.0	.04	.025	C-2R	50,000
12	OL-680	5.0	.06	.03	C-2R	100,000
13	OL-680AS15	5.0	.06	.03	C-2R	100,000
14	OL-683	5.0	.06	.05	C-2R	100,000
15	OL-683AS15	5.0	.06	.05	C-2R	100,000
16	OL-3070	5.0	.06	.15	C-2R	5,000
17	OL-713	5.0	.075	.09	C-2R	40,000
18	OL-713AS15	5.0	.075	.09	C-2R	40,000
19	OL-715	5.0	.115	.15	C-2R	40,000
20	OL-715AS15	5.0	.115	.15	C-2R	40,000
21	OL-715F1	5.0	.125	.22	C-2R	5,000
22	OL-3093	6.0	.04	.04	C-2R	10,000
23	OL-3041	6.0	.06	.13	C-2R	3,000
24	OL-1088	10.0	.027	.09	C-2F	10,000
25	OL-3023	12.0	.03	.10	C-2F	10,000
26	OL-1089	12.0	.06	.15	C-2F	16,000
27	OL-3228	14.0	.04	.15	C-2F	16,000
28	OL-1111	14.0	.065	.15	C-2F	12,000
29	OL-1092	18.0	.026	.15	C-2F	10,000
30	OL-3316	18.0	.035	.15	C-2F	12,000
31	OL-3091S	24.0	.02	.05	CC-2F	5,000
32	OL-3091	28.0	.02	.05	CC-2F	5,000
33	OL-6838	28.0	.024	.15	CC-2F	5,000

Lamp Design Characteristics

Unit in mm  
(inch)



Lead Dia is 0.3mm when taped on reel.





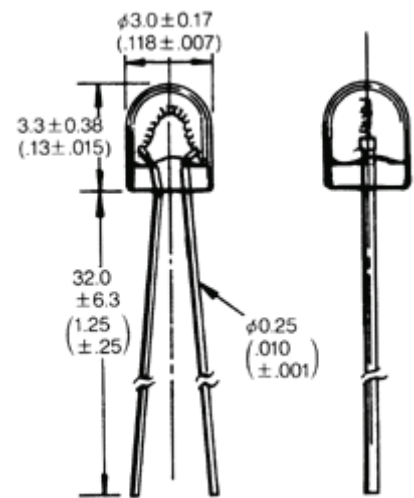
## Wire Terminal

### T-1 Short Wire Terminal

Line Nos.	Oshino Lamp Numbers	Design Volts	Design Amps	AVG. MSCd	Filament shape	Life (hours)
34	OL-30432	5.0	.02	.02	CC-6	20,000
35	OL-30192	5.0	.021	.034	C-2R	10,000
36	OL-6802	5.0	.06	.03	C-2R	200,000
37	OL-6802AS15	5.0	.06	.03	C-2R	200,000
38	OL-6832	5.0	.06	.05	C-2R	100,000
39	OL-6832AS15	5.0	.06	.05	C-2R	100,000
40	OL-30702	5.0	.06	.15	C-2R	5,000
41	OL-7132	5.0	.075	.09	C-2R	40,000
42	OL-7132AS15	5.0	.075	.09	C-2R	40,000
43	OL-7152	5.0	.115	.15	C-2R	40,000
44	OL-7152AS15	5.0	.115	.15	C-2R	40,000
45	OL-7152F1	5.0	.125	.22	C-2R	5,000
46	OL-32282	14.0	.04	.15	CC-2F	1,000
47	OL-8552	28.0	.02	.15	CC-2F	1,500

Lamp Design Characteristics

Unit in mm  
(inch)



Copyright © 2006 OSHINO LAMPS LIMITED All Rights Reserved.



Groupe OSHINO



**OSHINO LAMPS FRANCE**  
 Téléport 4 - ZT Pyrène Aéro Pôle - 65290 JUILLAN  
 Tél: +33 (0)5 62 32 63 63 / Fax: +33 (0)5 62 32 63 65  
 Email: info@oshino-lamps.fr / Site: www.oshino-lamps.com



FRANCE  
200310775