

Enclosure for 4 position knob, coordinate, ID key-operated switches and sensor switches, 22 mm, round, Enclosure material metal, enclosure top part gray, 1 control point metal, without equipment, only for front plate mounting



Product brand name	SIRIUS ACT
Product designation	Enclosures
Product type designation	3SU1

### Enclosure

Design of the housing	Command point in center
Shape of the enclosure front	Square
Material of the enclosure	metal
Number of command points	1
Product component	
• protective collar	No
Color	
• of top part of the enclosure	grey
Mounting type of the enclosure	Vertical / horizontal

### General technical data

Protection class IP	IP66, IP67, IP69(IP69K)
Degree of protection NEMA rating	NEMA 1, 2, 3, 3R, 4, 4X, 12, 13
Shock resistance	
• for railway applications acc. to DIN EN 61373	Category 1, Class B
Vibration resistance	

• for railway applications acc. to DIN EN 61373	Category 1, Class B
<b>Cable entry type</b>	Without

Connections/ Terminals	
<b>Type of electrical connection on enclosure</b>	Cable routing above and below, both 1 x M20
<b>Tightening torque of mounting screws in the enclosure cover</b>	1.5 ... 1.7 N·m

Ambient conditions	
<b>Ambient temperature</b>	
• during operation	-25 ... +70 °C
• during storage	-40 ... +80 °C

Installation/ mounting/ dimensions	
<b>Mounting type</b>	
• of modules and accessories	Front plate mounting
<b>Height</b>	89.4 mm
<b>Width</b>	85 mm
<b>Depth</b>	68 mm
<b>Mounting diameter</b>	22.3 mm
<b>Positive tolerance of installation diameter</b>	0.4 mm

### Certificates/ approvals

<b>General Product Approval</b>	<b>Declaration of Conformity</b>
---------------------------------	----------------------------------



<b>Declaration of Conformity</b>	<b>Test Certificates</b>	<b>Marine / Shipping</b>
----------------------------------	--------------------------	--------------------------

[Miscellaneous](#)

[Type Test Certificates/Test Report](#)

[Special Test Certificate](#)



<b>Marine / Shipping</b>	<b>other</b>
--------------------------	--------------



[Confirmation](#)

### Further information

**Information- and Downloadcenter (Catalogs, Brochures,...)**

[www.siemens.com/ic10](http://www.siemens.com/ic10)

**Industry Mall (Online ordering system)**

<https://mall.industry.siemens.com/mall/en/en/Catalog/product?mfb=3SU1851-1AA00-1AA1>

**Cax online generator**

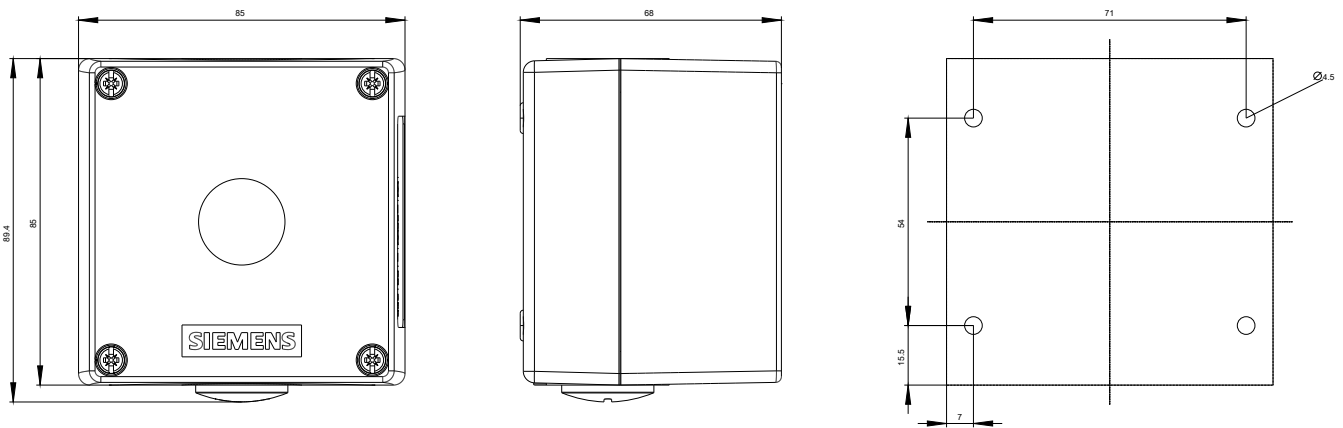
<http://support.automation.siemens.com/WW/CAXorder/default.aspx?lang=en&mfb=3SU1851-1AA00-1AA1>

**Service&Support (Manuals, Certificates, Characteristics, FAQs,...)**

<https://support.industry.siemens.com/cs/ww/en/ps/3SU1851-1AA00-1AA1>

**Image database (product images, 2D dimension drawings, 3D models, device circuit diagrams, EPLAN macros, ...)**

[http://www.automation.siemens.com/bilddb/cax\\_de.aspx?mfb=3SU1851-1AA00-1AA1&lang=en](http://www.automation.siemens.com/bilddb/cax_de.aspx?mfb=3SU1851-1AA00-1AA1&lang=en)



last modified:

12/18/2019