



Enclosure for command devices, 22 mm, round, enclosure material plastic, enclosure top part yellow, 1 command point plastic, A=Emergency stop mushroom pushbutton red, 40 mm, rotate-to-unlatch, 2 NC, spring-type terminal, floor mounting, silver label, black font, with graphic symbol: EMERGENCY STOP, M12 connector (5-pole) bottom, insulated reserve conductors Pin assignment: Pin1=21, Pin2=11, Pin3=n.c., Pin4=22, Pin5=12 Label enclosed

Figure similar

<b>Product brand name</b>	SIRIUS ACT
<b>Product designation</b>	Enclosures
<b>Product type designation</b>	3SU1
<b>Manufacturer's article number</b>	<ul style="list-style-type: none"> <li>• of supplied contact module A1 = 3SU1400-2AA10-1CA0, A2 = 3SU1400-2AA10-1CA0 <a href="#">3SU1400-2AA10-1CA0</a></li> <li>• of supplied contact module at the command point A 1 <a href="#">3SU1400-2AA10-1CA0</a></li> <li>• of supplied contact module at the command point A 3 <a href="#">3SU1400-2AA10-1CA0</a></li> <li>• of the supplied holder A = 3SU1500-0AA10-0AA0 <a href="#">3SU1500-0AA10-0AA0</a></li> <li>• of the supplied holder at the command point A A = 3SU1000-1HB20-0AA0 <a href="#">3SU1000-1HB20-0AA0</a></li> <li>• of the supplied actuator <a href="#">3SU1000-1HB20-0AA0</a></li> <li>• of the supplied actuator at the command point A <a href="#">3SU1801-0AA00-0AB2</a></li> <li>• of supplied empty enclosure A = 3SU1900-0AF81-0AZ0 Q9Y <a href="#">3SU1900-0AF81-0AZ0 Q9Y</a></li> <li>• of supplied accessory <a href="#">3SU1900-0AF81-0AZ0 Q9Y</a></li> <li>• of the supplied accessories at the command point A</li> </ul>

Enclosure	
Design of the housing	with recess for label
Shape of the enclosure front	Square
Material of the enclosure	plastic
Number of command points	1
Product component	
• EMERGENCY STOP device	Yes
• protective collar	No
Color	
• of top part of the enclosure	yellow
Delivery state	
• as a kit	No
• pre-wired on strip terminal	Yes
Mounting type of the enclosure	Vertical

Actuator	
Design of the operating mechanism	Emergency stop mushroom pushbutton
Suitability for use EMERGENCY OFF switch	Yes
Product feature	
• lockout	No
Product extension optional Light source	No
Color	
• of the actuating element	red
Material of the actuating element	plastic
Shape of the actuating element	round
Number of contact modules	2
Type of unlocking device	A = rotate-to-unlatch mechanism

Front ring	
Product component front ring	No

Holder	
Material of the holder	Plastic

Display	
Number of LED modules	0

General technical data	
Product function	
• positive opening	Yes
• EMERGENCY OFF function	Yes
• EMERGENCY STOP function	Yes
Protection class IP	IP66, IP67, IP69(IP69K)
Degree of protection NEMA rating	NEMA 1, 2, 3, 3R, 4, 4X, 12K, 13
Shock resistance	
• acc. to IEC 60068-2-27	Sinusoidal half-wave 50 g / 11 ms

<ul style="list-style-type: none"> <li>• for railway applications acc. to DIN EN 61373</li> </ul>	Category 1, Class B
<b>Vibration resistance</b>	
<ul style="list-style-type: none"> <li>• acc. to IEC 60068-2-6</li> </ul>	10 ... 500 Hz: 5g
<ul style="list-style-type: none"> <li>• for railway applications acc. to DIN EN 61373</li> </ul>	Category 1, Class B
<b>Reference code acc. to DIN EN 81346-2</b>	S
<b>Reference code acc. to DIN EN 61346-2</b>	S
<b>Continuous current of the C characteristic MCB</b>	10 A; for a short-circuit current smaller than 400 A
<b>Continuous current of the quick DIAZED fuse link</b>	10 A
<b>Continuous current of the DIAZED fuse link gG</b>	10 A
<b>Operating voltage</b>	
<ul style="list-style-type: none"> <li>• at AC <ul style="list-style-type: none"> <li>— at 50 Hz rated value</li> <li>— at 60 Hz rated value</li> </ul> </li> <li>• at DC <ul style="list-style-type: none"> <li>— rated value</li> </ul> </li> </ul>	5 ... 500 V 5 ... 500 V 5 ... 500 V
<b>Cable entry type</b>	M12 5-pole connector

<b>Auxiliary circuit</b>	
<b>Design of the contact of auxiliary contacts</b>	Silver alloy
<b>Number of NC contacts for auxiliary contacts</b>	2
<b>Number of NO contacts for auxiliary contacts</b>	0

<b>Connections/ Terminals</b>	
<b>Type of electrical connection</b>	
<ul style="list-style-type: none"> <li>• of modules and accessories</li> </ul>	Screw-type terminal
<b>Type of electrical connection on enclosure</b>	M12 connector, 5-pole
<b>Tightening torque of the screws in the bracket</b>	1 ... 1.2 N·m
<b>Tightening torque of mounting screws in the enclosure cover</b>	1.5 ... 1.7 N·m
<b>Tightening torque</b>	
<ul style="list-style-type: none"> <li>• with screw-type terminals</li> </ul>	0.8 ... 0.9 N·m

<b>Interfaces</b>	
<b>Design of the interface</b>	
<ul style="list-style-type: none"> <li>• for communication</li> </ul>	without

<b>Ambient conditions</b>	
<b>Ambient temperature</b>	
<ul style="list-style-type: none"> <li>• during operation</li> <li>• during storage</li> </ul>	-25 ... +70 °C -40 ... +80 °C
Environmental category during operation acc. to IEC 60721	3M6, 3S2, 3B2, 3C3, 3K6 (with relative air humidity of 10 ... 95 %, no condensation in operation permitted for all devices behind front panel)

<b>Installation/ mounting/ dimensions</b>	
<b>Mounting type</b>	

• of modules and accessories	Floor mounting
Height	89.4 mm
Width	85 mm
Depth	109 mm
Shape of the installation opening	round

### Accessories

Number of labels	1
Marking of the name plate for command devices	A = Stopp (IEC 60417-5110A, DIN 30600-0013A)
Color of the label	A = silver
Number of inscription plates	0
Number of backing plates	0

### Certificates/ approvals

General Product Approval	Declaration of Conformity
--------------------------	---------------------------



CCC

CSA

UL

VDE

EG-Konf.

Declaration of Conformity	Test Certificates	Marine / Shipping
---------------------------	-------------------	-------------------

[Miscellaneous](#)

[Type Test Certificates/Test Report](#)



ABS

LRS

PRS

RINA

Marine / Shipping	other
-------------------	-------



RMRS

DNVGL.COM/AF

[Confirmation](#)

### Further information

Information- and Downloadcenter (Catalogs, Brochures,...)

[www.siemens.com/ic10](http://www.siemens.com/ic10)

Industry Mall (Online ordering system)

<https://mall.industry.siemens.com/mall/en/en/Catalog/product?mlfb=3SU1801-0NH00-4NB2>

Cax online generator

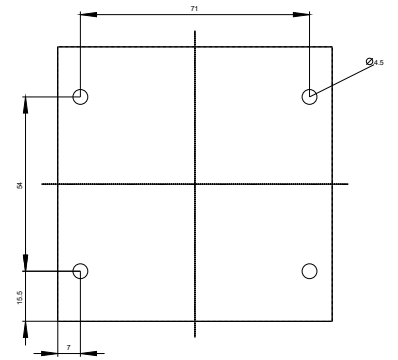
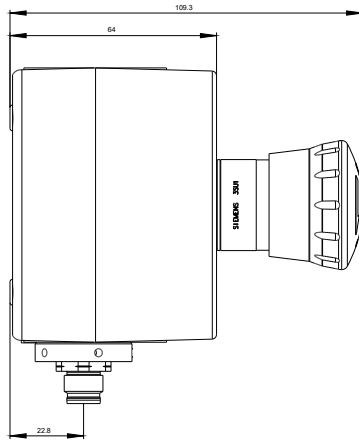
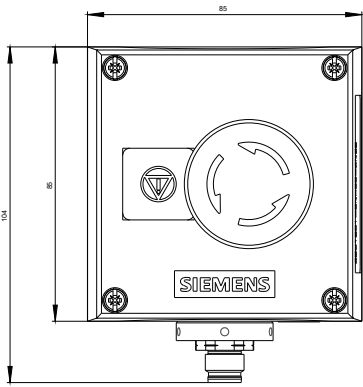
<http://support.automation.siemens.com/WW/CAXorder/default.aspx?lang=en&mlfb=3SU1801-0NH00-4NB2>

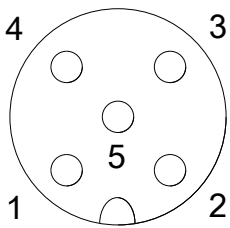
Service&Support (Manuals, Certificates, Characteristics, FAQs,...)

<https://support.industry.siemens.com/cs/ww/en/ps/3SU1801-0NH00-4NB2>

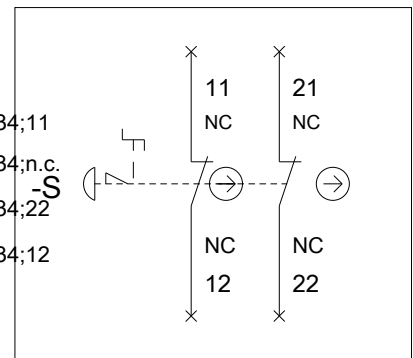
Image database (product images, 2D dimension drawings, 3D models, device circuit diagrams, EPLAN macros, ...)

[http://www.automation.siemens.com/bilddb/cax\\_de.aspx?mlfb=3SU1801-0NH00-4NB2&lang=en](http://www.automation.siemens.com/bilddb/cax_de.aspx?mlfb=3SU1801-0NH00-4NB2&lang=en)





1	BN = Brown	→	21
2	BH = White	→	11
3	BU = Blue	→	n.c.
4	BK = Black	→	22
5	GY = Grey	→	12



last modified:

12/21/2019