

Angled IEC Lock C13 Locking Connector



Approvals



Technical specifications

Temperature range (operation and storage)	-25°C to +70°C
Connector (line side)	Please refer to Available combinations IL 13 table
Connector (load side)	IEC C13 according to IEC/EN 60320-2-2 with IEC Lock UL 498, CSA C22.2 no. 42, Protection Class I
Flammability corresponding to	Plugs: UL 94 V-2 or better; Cable: IEC 60332-1 Cat. F2
High potential test voltage	P-> PE 2000 VAC (1 min 50 Hz) P-> N 2000 VAC (1 min 50 Hz)
Maximum continuous operating voltage	250 VAC, 50/60 Hz
Protection category	IP 20 according IEC 60529
Rated currents	10 A for C13 plug

Features and benefits

- | Protects appliances that are vulnerable to vibration
- | Connector cannot be accidentally pulled or vibrated out of the inlet
- | Space availability/constraints
- | Different angles for ease of access
- | Space saving
- | Release locking mechanism
- | Prevents accidental disconnection

Cable selection table IL 13

IL 13P-R-C14-H05-3100-X*	right angled IEC cable assembly with locking system for IEC C14 inlet, EU version
IL 13P-L-EU1-H05-3100-X*	left angled IEC cable assembly with locking system for IEC C14 inlet, EU version
IL 13P-U-SE-H05-3100-X*	up angled IEC cable assembly with locking system for IEC C14 inlet, stripped ends
IL 13P-D-UK1-H05-3100-X*	down angled IEC cable assembly with locking system for IEC C14 inlet, UK version

To compile a complete part number, please replace the X* with the required length (please refer to table below for available length per cable type):

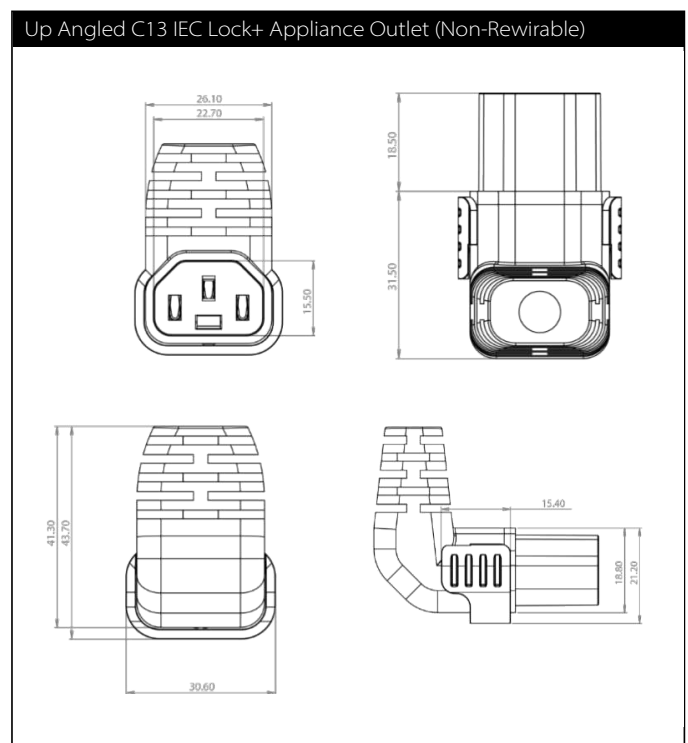
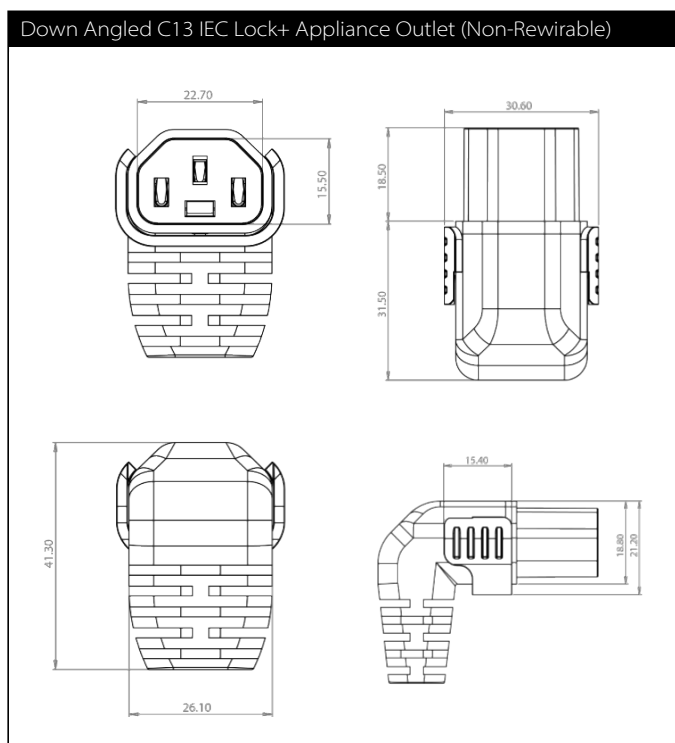
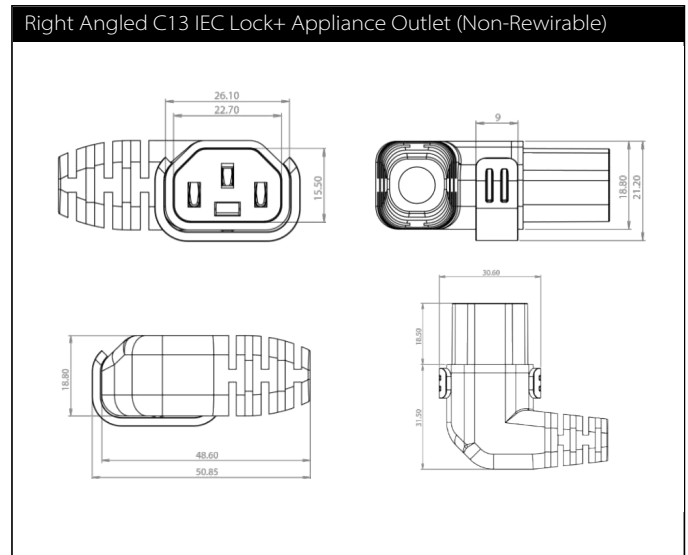
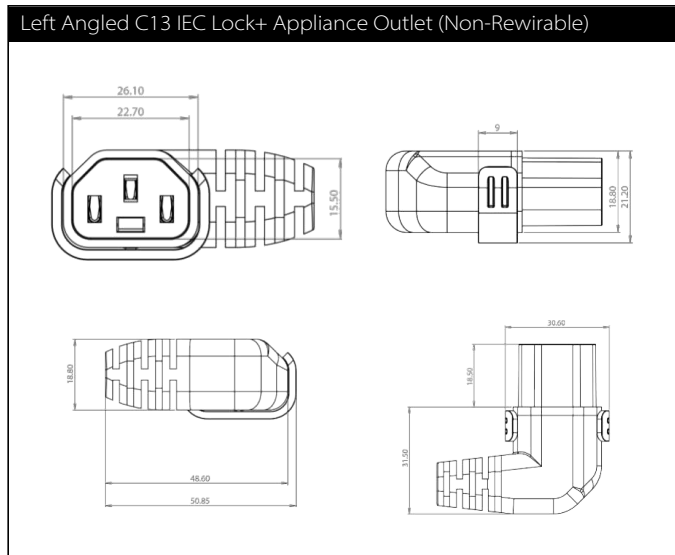
- X* options = 200, 300 cm

Available combinations IL 13

To compile a complete part number exchange the letters (IL13P-yyy-zzz-aaaa-bbb-c) with the data from the table below.

Load side IL13P		Line side plug		Cable type		Cable core		Rating	Cable length*		Cable color	Cert.	
IL13P (-R/-L/-D/-U)		yyy		zzz		aaaa			bbb	c			
IL13P-R	IEC C13 Female plug, right angled, lock	IEC C14, male, straight CEE 7/VII, right angled or straight Stripped Ends BS1363, right angled fused 5A	C14 EU1 SE UK1	H05VV-F	H05	3x1.00mm ²	3100	250VAC 10A	100 cm	100	Black	-	CB KC KEMA SAA
	200 cm	200											
300 cm	300												
IL13P-L	IEC C13 Female plug, left angled, lock	IEC C14, male, straight CEE 7/VII, right angled or straight Stripped Ends BS1363, right angled fused 5A	C14 EU1 SE UK1	H05VV-F	H05	3x1.0mm ²	3100	250VAC 10A	100 cm	100	Black	-	CB KC KEMA SAA
	200 cm	200											
300 cm	300												
IL13P-D	IEC C13 Female plug, down angled, lock	IEC C14, male, straight CEE 7/VII, right angled or straight Stripped Ends BS1363, right angled fused 5A	C14 EU1 SE UK1	H05VV-F	H05	3x1.0mm ²	3100	250VAC 10A	100 cm	100	Black	-	CB KC KEMA SAA
	200 cm	200											
300 cm	300												
IL13P-U	IEC C13 Female plug, up angled, lock	IEC C14, male, straight CEE 7/VII, right angled or straight Stripped Ends BS1363, right angled fused 5A	C14 EU1 SE UK1	H05VV-F	H05	3x1.0mm ²	3100	250VAC 10A	100 cm	100	Black	-	CB KC KEMA SAA
	200 cm	200											
300 cm	300												

*feet values are calculated to the matching length in cm





Headquarters, global innovation and development

Switzerland

Schaffner Group

Nordstrasse 11
4542 Luterbach
T +41 32 681 66 26
info@schaffner.com



Sales and application centers

China

Schaffner EMC Ltd. Shanghai

T20-3 C, No 565 Chuangye Road,
Pudong district
201201 Shanghai
T +86 21 3813 9500
cschina@schaffner.com
www.schaffner.com.cn

Finland

Schaffner Oy

Sauvonrinne 19 H
08500 Lohja
T +358 10 567 2855
finlandsales@schaffner.com

France

Schaffner EMC S.A.S.

16-20 Rue Louis Rameau
95875 Bezons
T +33 1 34 34 30 60
F +33 1 39 47 02 28
francesales@schaffner.com

Germany

Schaffner Deutschland GmbH

Schoemperlenstrasse 12B
76185 Karlsruhe
T +49 721 56910
F +49 721 569110
germanysales@schaffner.com

India

Schaffner India Pvt. Ltd

REGUS WORLD TRADE CENTRE
WTC, 22nd Floor Unit No 2238, Brigade
Gateway Campus, 26/1, Dr. Rajkumar Road
Malleshwaram (W)
560055 Bangalore
T +91 80 67935355
indiasales@schaffner.com

Italy

Schaffner EMC S.r.l.

Via Ticino, 30
20900 Monza (MB)
T +39 039 21 41 070
italysales@schaffner.com

Japan

Schaffner EMC K.K.

Taiju-Seimei Sangenjaya Bldg.
1-32-12, Kamiuma, Setagaya-ku
154-0011 Tokyo
T +81 3 5712 3650
F +81 3 5712 3651
japansales@schaffner.com
www.schaffner.jp

Singapore

Schaffner EMC Pte Ltd.

#05-09, Kg Ubi Ind. Estate
408705 Singapore
T +65 6377 3283
F +65 6377 3281
singaporesales@schaffner.com

Spain

Schaffner EMC España

Calle Caléndula 93, Miniparc III, Edificio E
El Soto de Moraleja, Alcobendas
28109 Madrid
T +34 917 912 900
F +34 917 912 901
spainsales@schaffner.com

Sweden

Schaffner EMC AB

Östermalmstorg 1
114 42 Stockholm
T +46 8 5050 2425
swedensales@schaffner.com
www.schaffner.com

Switzerland

Schaffner EMV AG

Nordstrasse 11
4542 Luterbach
T +41 32 681 66 26
switzerlandsales@schaffner.com

Taiwan R.O.C.

Schaffner EMV Ltd.

20 Floor-2, No 97, Section 1, XinTai 5th Road
22175 XiZhi District New Taipei City 22175
T +886 2 2697 5500
F +886 2 2697 5533
taiwansales@schaffner.com
www.schaffner.com.tw

Thailand

Schaffner EMC Co. Ltd.

Northern Region Industrial Estate
67 Moo 4 Tambon Ban Klang
Amphur Muangng P.O. Box 14
51000 Lamphun
T +66 53 58 11 04
F +66 53 58 10 19
thailandsales@schaffner.com

United Kingdom

Schaffner Ltd.

5 Ashville Way, Molly Millars Lane
Wokingham
RG41 2PL Berkshire
T +44 118 9770070
F +44 118 9792969
uksales@schaffner.com

USA

Schaffner EMC Inc.

52 Mayfield Avenue
Edison, New Jersey
T +1 732 225 9533
F +1 732 225 4789
usasales@schaffner.com
www.schaffnerusa.com

Schaffner North America

6722 Thirlane Road
24019 Roanoke, Virginia
T +1 276 228 7943
F +1 276 228 7953

Schaffner North America

823 Fairview Road
24382 Wytheville, Virginia
T +1 276 228 7943
F +1 276 228 7258

To find your local partner within Schaffner's global network: www.schaffner.com

© 2018 Schaffner Group

The content of this document has been carefully checked and understood. However, neither Schaffner nor its subsidiaries assume any liability whatsoever for any errors or inaccuracies of this document and the consequences thereof. Published specifications are subject to change without notice. Product suitability for any area of application must ultimately be determined by the customer. In all cases, products must never be operated outside their published specifications. Schaffner does not guarantee the availability of all published products. This disclaimer shall be governed by substantive Swiss law and resulting disputes shall be settled by the courts at the place of business of Schaffner Holding AG. Latest publications and a complete disclaimer can be downloaded from the Schaffner website. All trademarks recognized.