

40mm sq.

San Ace 40

48mm thick (CRA type), 56mm thick (CRB type)
 56mm thick (CRF type), 56mm thick (CRD type)
 56mm thick (CRE type), 56mm thick (CRA type)



General Specifications

- Material Frame: Plastics (Flammability: UL94V-0),
 Impeller: Plastics (Flammability: UL94V-0)
- Expected Life Refer to specifications (L10:Survival rate:90% at 60°C ,
 rated voltage, and continuously run in a free air state)
- Lead Wire Inlet ⊕red ⊖black (Sensor) yellow
 Outlet ⊕orange ⊖gray (Sensor) purple
- Storage Temperature -30°C to +70°C (Non-condensing)

40×40×56mm (Mass : 90g) **CRA type**

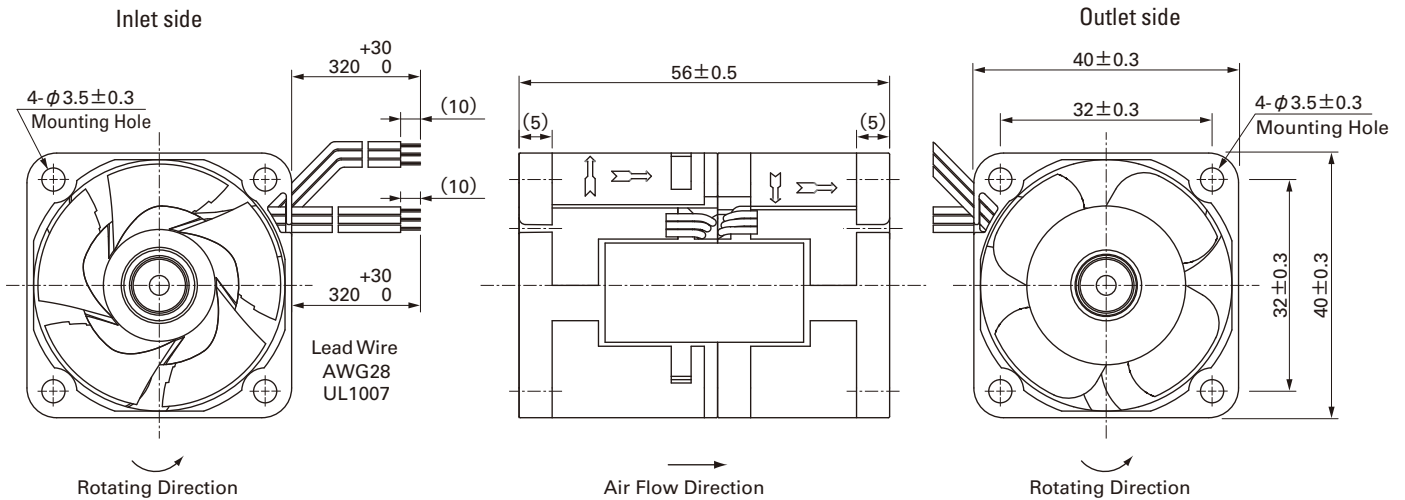
Specifications

The following nos. **have pulse sensors.**

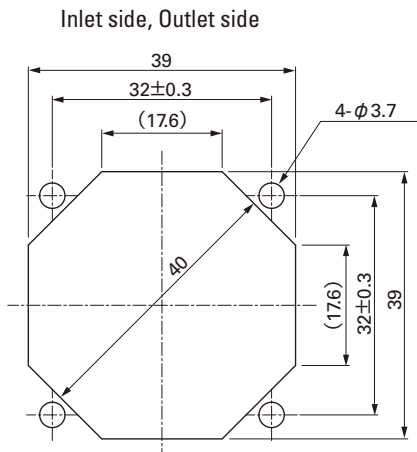
Model No.	Rated Voltage [V]	Operating Voltage Range [V]	Rated Current [A]	Rated Input [W]	Rated Speed [min ⁻¹] Inlet Outlet	Max. Air Flow [m ³ /min] [CFM]	Max. Static Pressure [Pa] [inchH ₂ O]	SPL [dB(A)]	Operating Temperature [°C]	Expected Life [h]
9CRA0412K501	12	10.8 to 12.6	1.8	21.6	17,000 13,000	0.95 33.5	650 2.61	65	-20 to +60	40,000
9CRA0412J501		10.8 to 13.2	1.4	16.8	15,800 12,200	0.90 31.8	570 2.29	62	-20 to +70	
9CRA0412G501		1.0	12.0	14,000 10,400	0.77 27.2	435 1.75	59			

- Available options: ⇒ **Without Sensor**
- Please inquire as the availability of these functions depend on the model. ⇒ **Lock Sensor** **PWM Control**

Dimensions (Unit : mm)



Reference dimension of mounting holes and vent opening (Unit : mm)

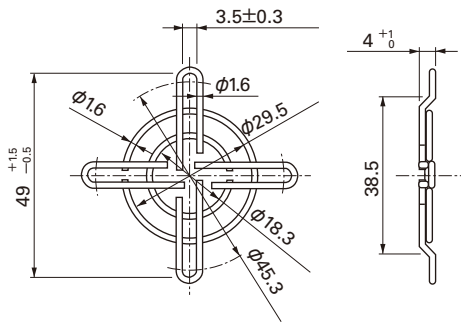


Options (Unit : mm)

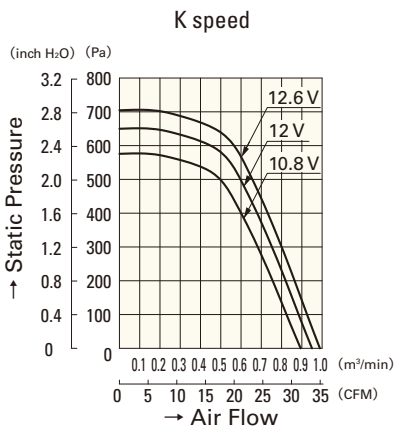
Finger guards

Model : 109-059 Color
Surface treatment : Nickel-chrome plating (silver)

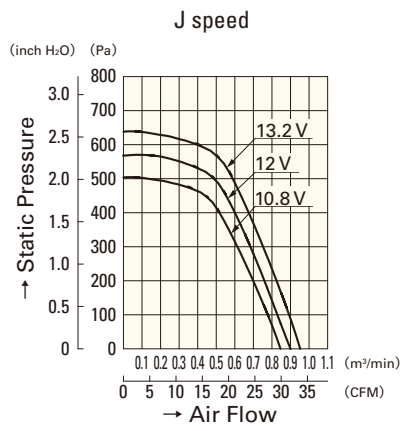
Inlet side, Outlet side



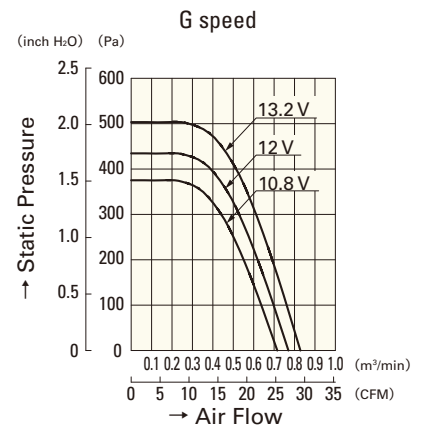
Air Flow - Static Pressure Characteristics



9CRA0412K501



9CRA0412J501



9CRA0412G501