

<h1>SPECIFICATIONS</h1>

[1.General Specifications]

Product Name	Wallmount Bracket	Wallmount Bracket Cover	
Model	SZK-101 /SZK-102 /SZK-103	SZK-104/SZK-105	
Mounting Direction	Upright		
Mass (Typ.)	SZK-101	0.15kg	
	SZK-102	0.19kg	
	SZK-103	0.51kg	
	SZK-104	0.06kg	
	SZK-105	0.17kg	
Protection Rating	SZK-101	IP65 (Product Attachment)	SF08-M□KT□/SL08-M□KT□ SF10-M□KT□/SL10-M□KT□
		IP65 (Product+SZW-102 [Rubber Gasket] Attachment)	SF08-M□JN/SL08-M□JN/SKS-M□J
		IP65 (Product+SZW-103 [Rubber Gasket] Attachment)	SF10-M□JN/SL10-M□JN SKH-M□J□/SKH-M□T□
		IP23 (Product Attachment)	SF08-M□JN/SL08-M□JN SKS-M□J/SF10-M□JN/SL10-M□JN SKH-M□J□/SKH-M□T□
	SZK-102	IP23 (Product Attachment)	
	SZK-103	IP23 (Product Attachment)	
	SZK-104	IP23(Product+SZK-102[Wallmount Bracket] Attachment)	
	SZK-105	IP23(Product+SZK-103[Wallmount Bracket] Attachment)	
Environmental Condition	Upright		
Remarks	There are no contents of controlled substances exceeding the threshold for the RoHS Directive.		

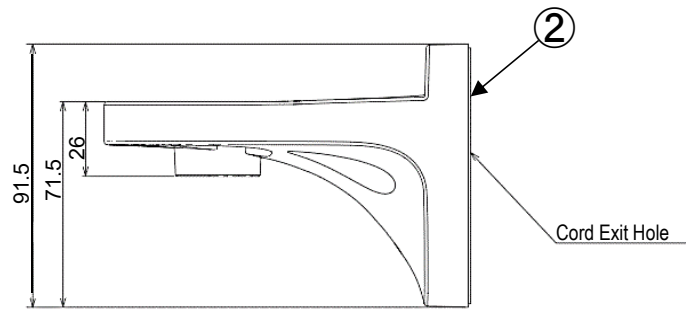
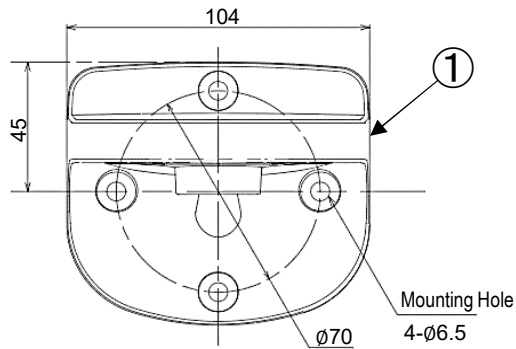
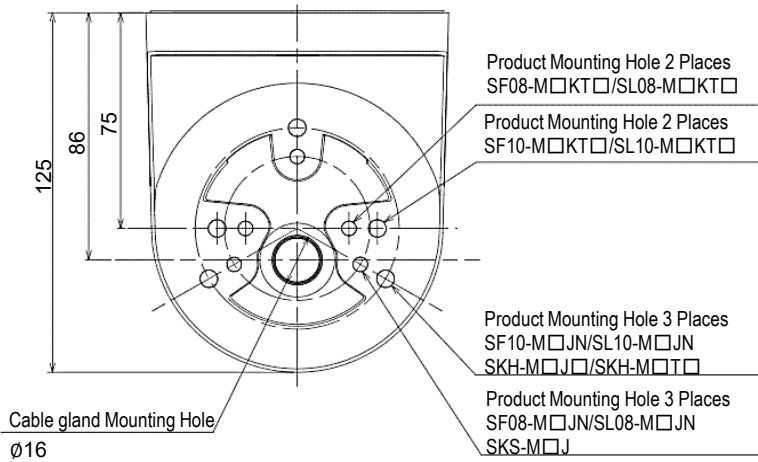
[2.Model Number Configuration]

Wallmount Bracket	Model		Applicable Models
	SZK	-	↓
Applicable Models			
101	SF08-M□KT□/SL08-M□KT□/SF10-M□KT□/SL10-M□KT□ SF08-M□JN/SL08-M□JN/SKS-M□J SF10-M□JN/SL10-M□JN/SKH-M□J□/SKH-M□T□		
102	SF08-M□KT□/SL08-M□KT□/SF10-M□KT□/SL10-M□KT□ SF08-M□JN/SL08-M□JN/SKS-M□J SF10-M□JN/SL10-M□JN/SKH-M□J□/SKH-M□T□		
103	SL15-M□KTN/SL15-M□JN/SKP-M□J		
104	SZK-102		
105	SZK-103		

[3.Outer Dimension Drawing]

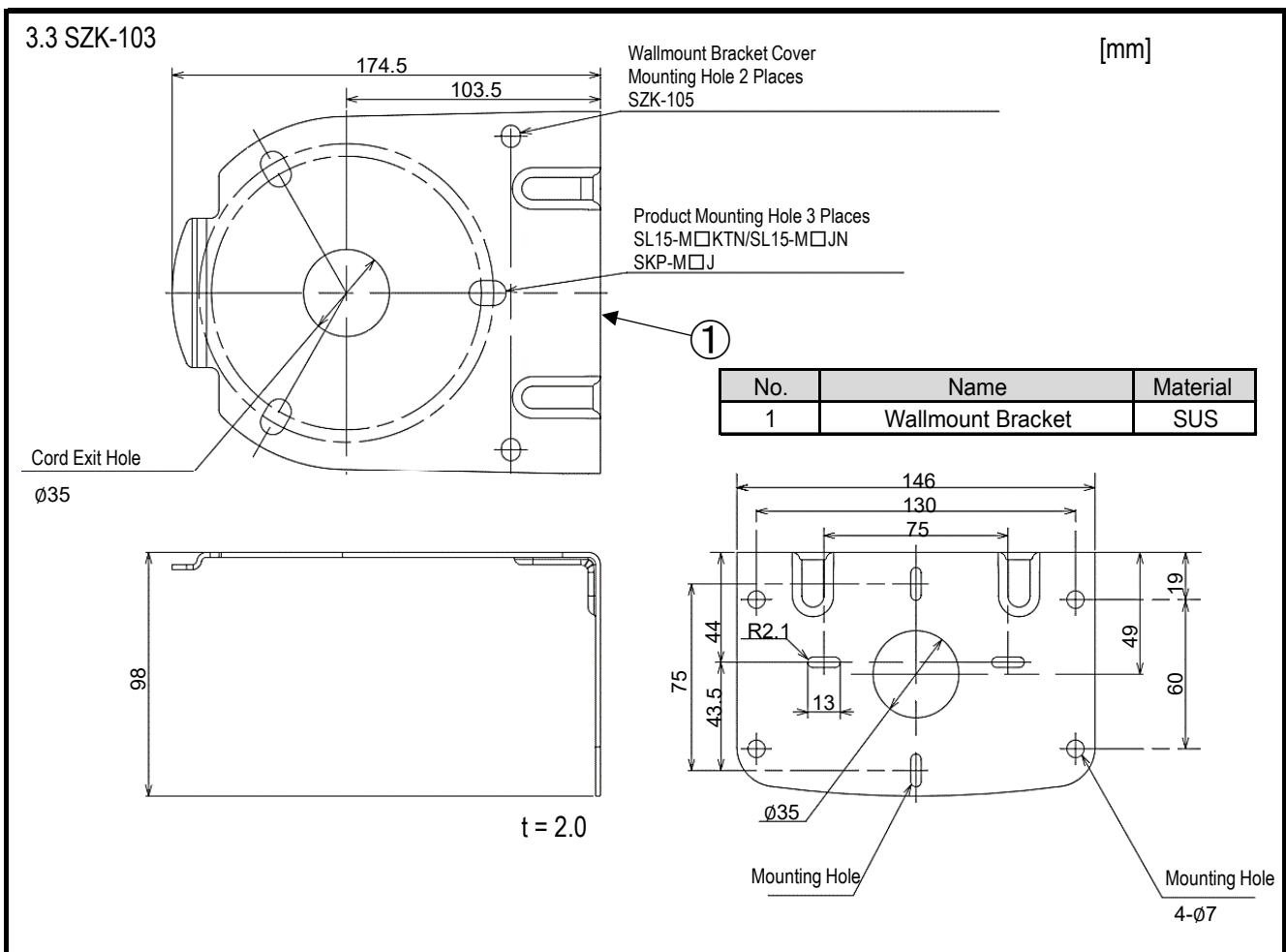
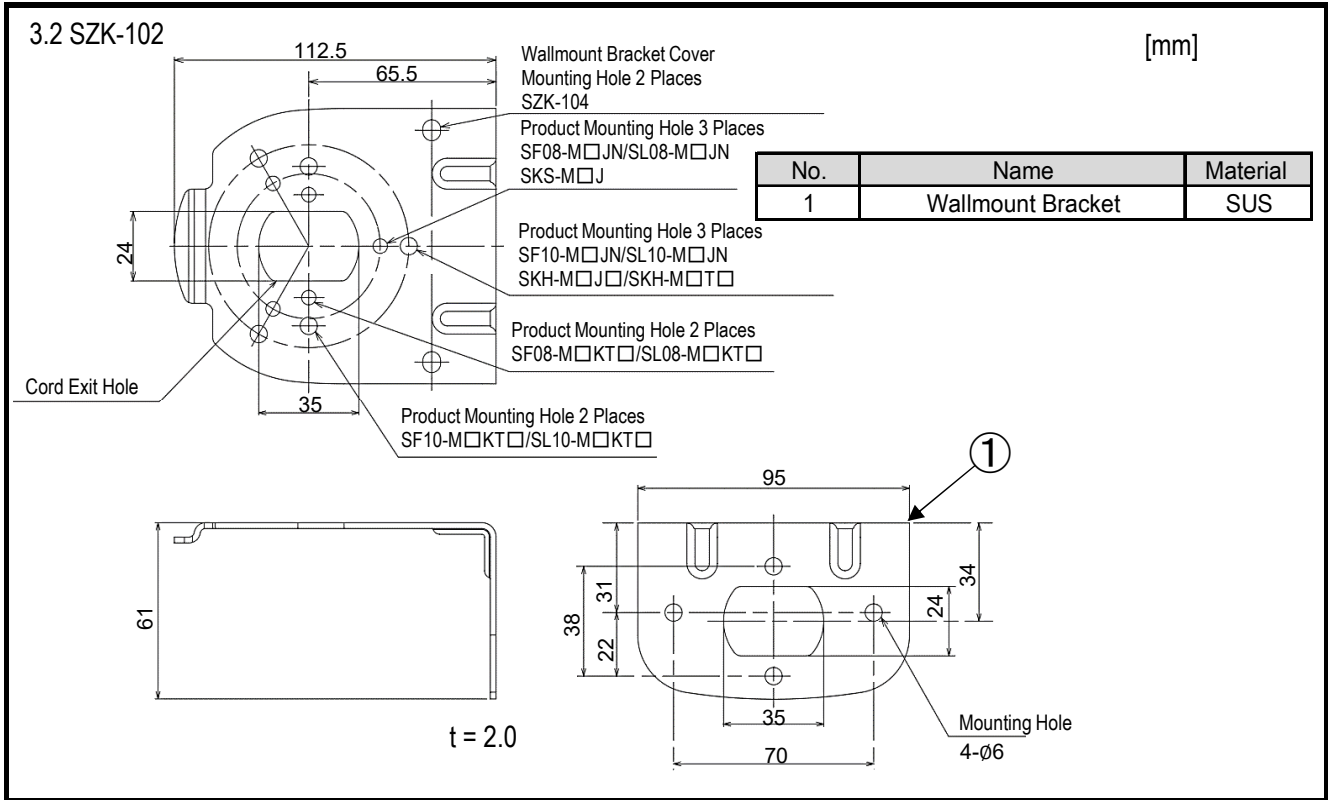
3.1 SZK-101

[mm]



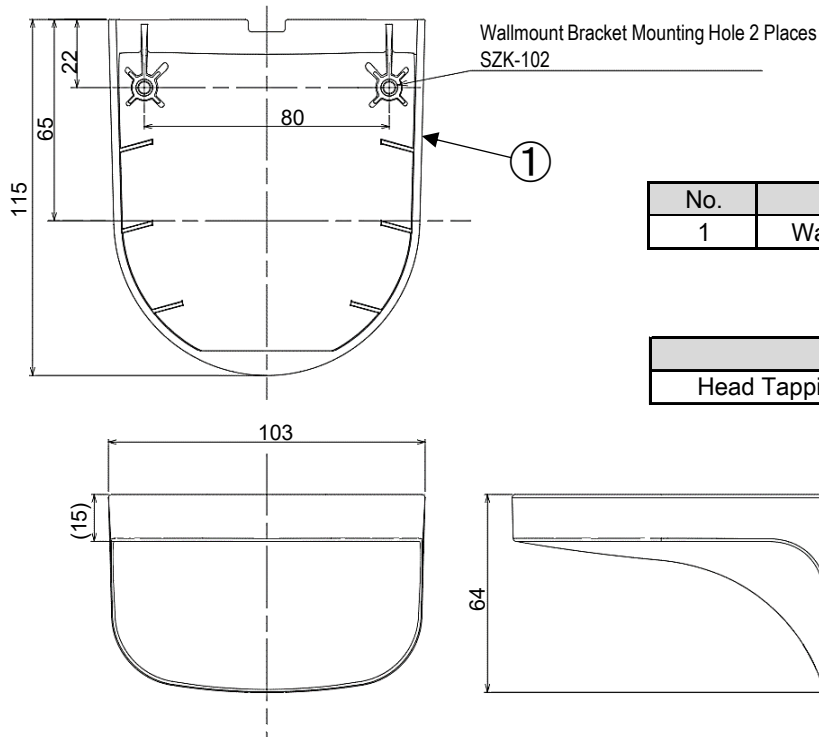
※ The Product Mounting Holes and Cable gland Mounting Holes are perforated.

No.	Name	Material
1	Wallmount Bracket	PC
2	Waterproof Sheet t = 1.0	CR



3.4 SZK-104

[mm]

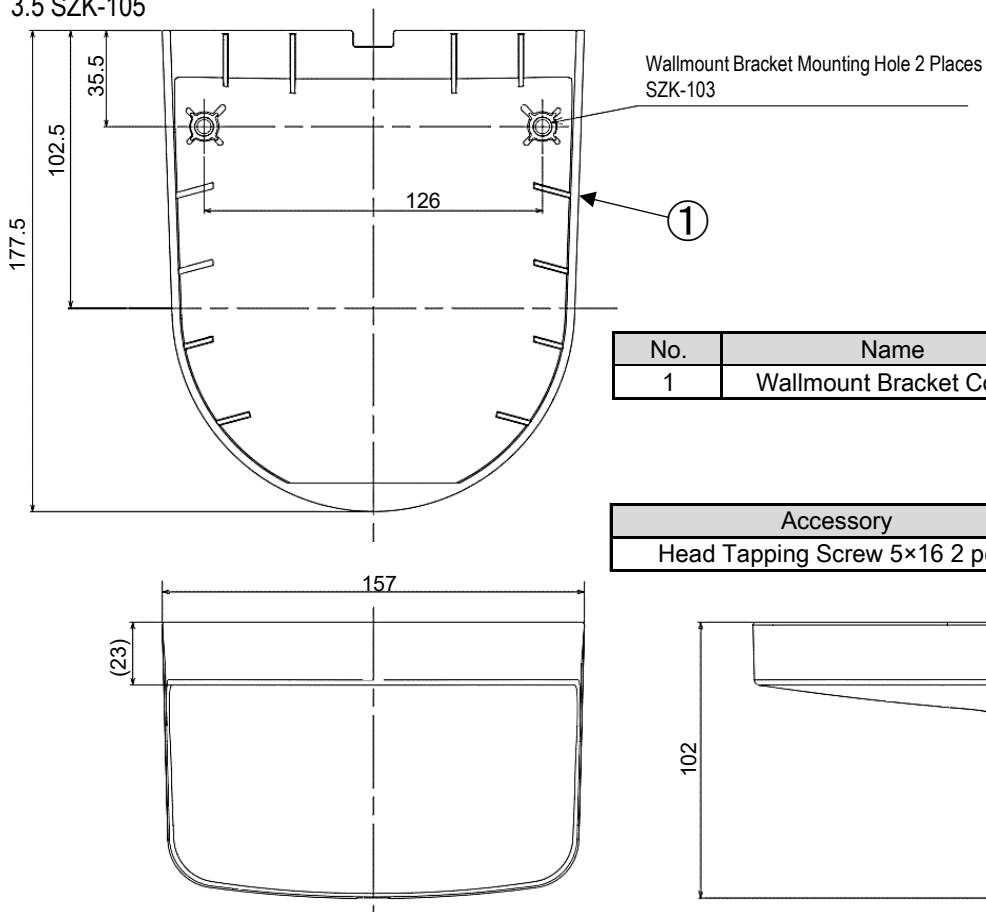


No.	Name	Material
1	Wallmount Bracket Cover	PC

Accessory	Material
Head Tapping Screw 4×12 2 pcs.	SUS

3.5 SZK-105

[mm]



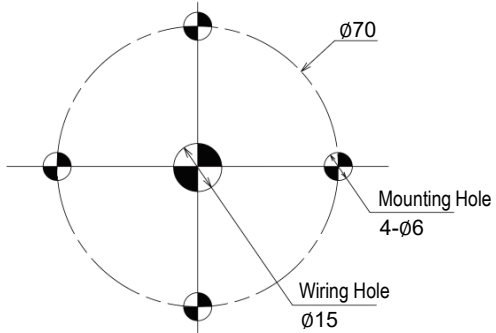
No.	Name	Material
1	Wallmount Bracket Cover	PC

Accessory	Material
Head Tapping Screw 5×16 2 pcs.	SUS

[4. Mounting Dimensal Drawing]

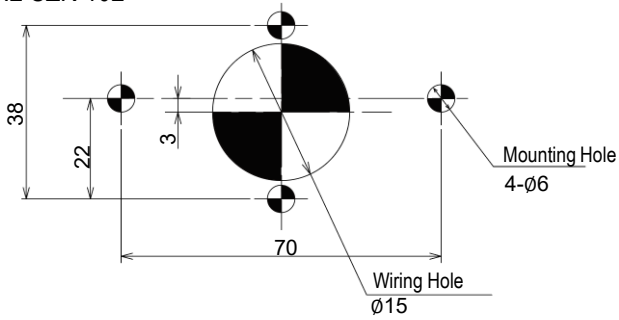
4.1 SZK-101

[mm]



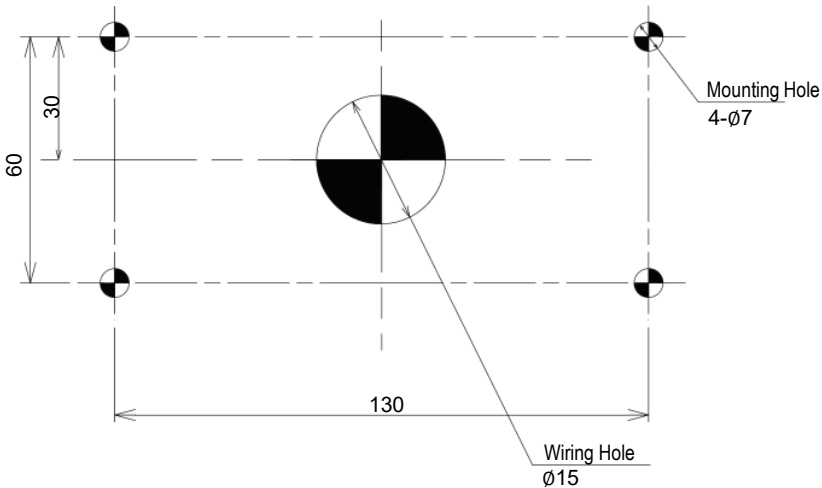
Screw/Nut	Recommended Tightening Torque
M5	1.4N·m

4.2 SZK-102



Screw/Nut	Recommended Tightening Torque
M5	1.4N·m

4.3 SZK-103



Screw/Nut	Recommended Tightening Torque
M6	2.4N·m