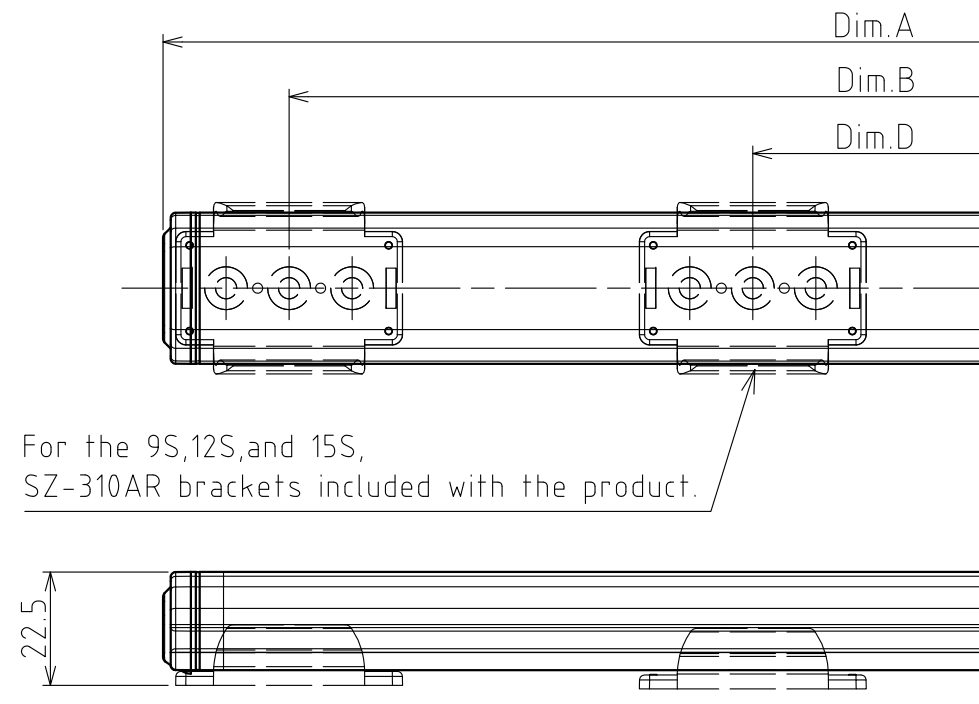


Recommended Screw Dimensions



For the 9S,12S,and 15S, SZ-310AR brackets included with the product.

Product Mounting Appearance

[Specifications]

Model Name	SZ-310AR(M)
Material	Polycarbonate Resin
Mass	SZ-310AR: 4.3g SZ-310ARM: 6.1g
Mounting Direction	Indoor Use Only, Any Direction
Vibration Resistance	19.6m / s ²
Operating Temperature Range	-40°C ~ +60°C (No more than 90%RH, No Condensation)
Applicable Models	CLA Series
Compliance	RoHS(DIRECTIVE 2002/95/EC)
Screw Qty.	2 screws recommended

※ Use extra caution to prevent the magnet type SZ-310ARM from falling.
Use specified screw clamps when installing.

[Dimension Chart]

Model Name	Dim.A Maximum	Dim.B Attachement Pitch	Dim.D	Brackets Qty.
CLA1S-	124	74	-	2pcs.
CLA2S-	224	174	-	2pcs.
CLA3S-	324	274	-	2pcs.
CLA6S-	624	574	-	2pcs.
CLA9S-	924	874	290	4pcs.
CLA12S-	1224	1174	390	4pcs.
CLA15S-	1524	1474	490	4pcs.

番号 No.	部品名 Part Name	品目コード Part No.	数量 Qty.	材料 & 寸法 & 処理 Material & Size & Finish	記事 Remarks
-----------	------------------	-------------------	------------	--	---------------

製品仕様書
Specifications

株式会社 パトライト
PATLITE Corporation

SZ-310AR-W18A