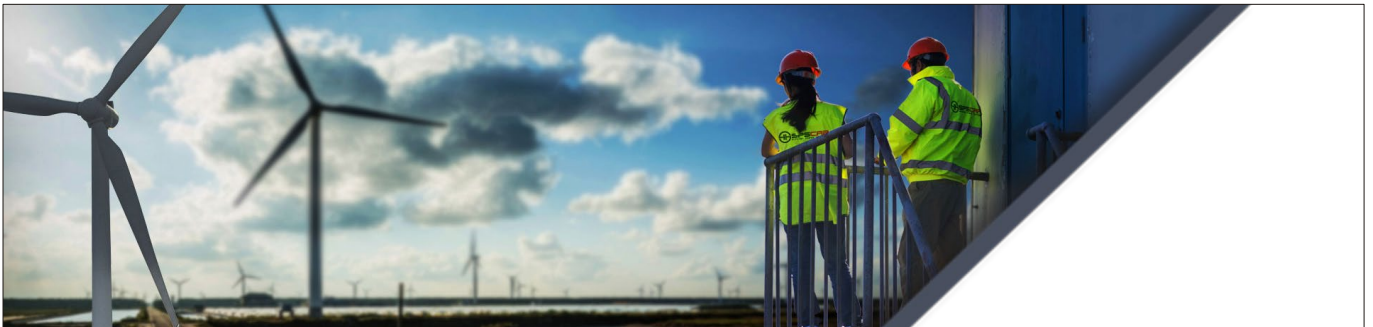


# CDCM SPD DATASHEET



| MODEL       | CDCM SPD SERIES      |
|-------------|----------------------|
| PART NUMBER | CDCM0350C0-0002R7SPD |
|             | CDCM0720C0-0002R7SPD |

| Version | Revision of historical records |
|---------|--------------------------------|
| V2019-1 | The First Release              |

| FEATURES                                   |
|--|
| Soldering pin connection                   |
| Exceptional shock and vibration resistance |
| Over 1000,000 duty cycles                  |

| APPLICATIONS                                      |
|---|
| Pitching control system of Wind Turbine Generator |
| UPS and backup power supply                       |
| Electronic tools and police flash lights          |

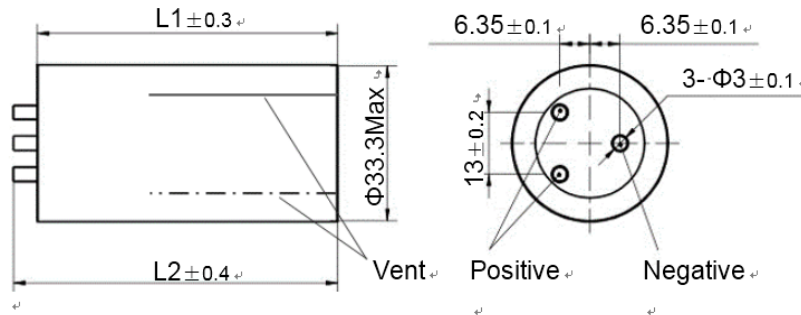
## CONSTRUCTION & DIMENSIONS

### 1) Construction

Inside structure: fold anode and cathode electrode with separator

Outer structure: aluminum case, insulating sleeve

### 2) Dimensions



\*Two safety vent on the surface of the case

| PRODUCT | DIMENSION (mm) |       |
|---------|----------------|-------|
|         | L1             | L2    |
| 350F    | 63.8           | 69.7  |
| 270F    | 112.8          | 118.7 |

## SPECIFICATIONS

| Items  | Characteristics   |
|--|---|
| Operating Voltage  | 2.7V DC   |
| Surge Voltage  | 2.85V DC  |
| Operating Temperature Range                                  | -40°C to 65°C   |
| Capacitance Tolerance  | 0% to +20% (25°C)   |
| Temperature Performance<br>(-40°C to 65°C)                   | $\Delta C \leq 5\%$ of initial value@ 25°C<br>$\Delta ESR \leq 50\%$ of rated value |
| Life (1,500 hours @ 65°C, 2.7V DC)                           | $\Delta C \leq 20\%$ of initial value<br>$\Delta ESR \leq 100\%$ of initial value   |
| Cycle life<br>(1,000,000 cycles between $V_R$ and $1/2V_R$ ) | $\Delta C \leq 20\%$ of initial value<br>$\Delta ESR \leq 100\%$ of initial value   |

## STANDARD PRODUCT

| CAP (F) | Part Number          | ESR(mΩ)       |         | LC (mA, RT 72hrs) | MAX. Energy Stored (Wh) | Max. Energy Density (Wh /Kg) | Max. Continuous Current (15/40°C, A) | Max. Peak Current (A) | Typical Thermal Resistance (R th, °C/W) | Typical Thermal Capacitance, (C th, J/°C) | Typical Mass (g) |
|---------|----------------------|---------------|---------|-------------------|-------------------------|------------------------------|--------------------------------------|-----------------------|---|---|------------------|
|         |                      | AC@ 1kHz Max. | DC Max. |                   |                         |                              |                                      |                       |   |   |                  |
| 350     | CDCM0350C0-0002R7SPD | 1.50          | 2.50    | 0.5               | 0.35                    | 4.9                          | 26/43                                | 252                   | 8.6                                     | 81  | 72               |
| 720     | CDCM0720C0-0002R7SPD | 1.30          | 1.80    | 1.4               | 0.73                    | 5.8                          | 40/65                                | 423                   | 5.3                                     | 140                                       | 125              |

Product dimensions are for reference only unless otherwise identified. Product dimensions and specifications may change without notice.

### NINGBO CRRC NEW ENERGY TECHNOLOGY CO.,LTD.

Add: No.199 Shidai Road, Wuxiang Town, Yinzhou District, Ningbo, Zhejiang, China

Email: [info@spscap.com](mailto:info@spscap.com)

Website: [www.spscap.com](http://www.spscap.com)

