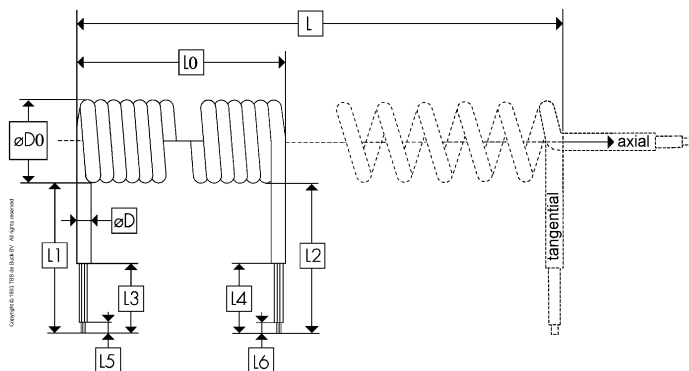


## Specification sheet : SP-DSR-095

Firm : Distrelec Schweiz AG  
 Address : Grabenstrasse 6  
 Zip / City : 8606 NÄNIKON  
 Customercode : 13996215 / DSR

TBS partnumber : **SP-DSR-095**  
 Date : 3-8-2020  
 Your partnumber : 30180782

## Coiled cable dimensions

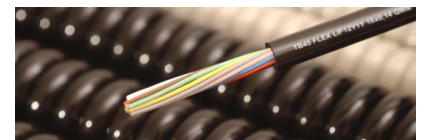


|      |          |            |
|------|----------|------------|
| L=   | 2800 mm. |            |
| L0=  | 700 mm.  |            |
| ØD=  | 4,0 mm.  |            |
| ØD0= | 14,0 mm. |            |
| L1=  | 200 mm.  | tangential |
| L2=  | 200 mm.  | tangential |
| L3=  | mm.      |            |
| L4=  | mm.      |            |
| L5=  | mm.      |            |
| L6=  | mm.      |            |

Weight: ± 0,12 kg / pc

## Cable specification

Cable type : LiF12Y11Y 4x0,14 mm<sup>2</sup> TB45 FLEX  
 Stranding : 18x0,10 mm bare copper wires  
 Conductor insulation : TPE-E  
 Conductor colours : according to DIN 47100  
 Overall sheath : PUR  
 Colour : black (semi-glossy)  
 Temperature range : -25 °C to +70 °C



Photographs are for illustrative purposes only

### Tolerances ± 10% (dimensions and quantities)

**Attention:** Coiled cables, power cords and (cable)assemblies are customized products, specifically manufactured and supplied upon order. Therefore these products cannot be returned or exchanged in any way. Offer is non-committal, fixed price for up to 6 weeks, subjected to prior sale, subjected to technical changes, especially changes in measurement and construction. All our offers, orders granted to us and (project) contracts/agreements with us are subjected to the METAALUNIE TERMS AND CONDITIONS only. These terms and conditions have been filed at the Registry of the Rotterdam District Court.

TBS de Buck B.V.  
 De Slof 2 5107 RJ Dongen  
 The Netherlands  
 V.A.T.-nr.: NL 8059.10.888.B01

HR Eindhoven nr.: 18048791  
 Rabobank Tilburg nr.: 0304.1314.07  
 IBAN code : NL39 RABO 0304 1314 07  
 BIC code : RABONL2U

Phone : +31 (0) 162 523 436  
 E-mail : sales@the-best-solution.com  
 Internet : www.the-best-solution.com