

SNSG+SG-24V

Buzzer



General Data

Type reference	SNSG+SG-24V
Description	Buzzer
Approvals	CCC, CE
Degree of protection	IP65
Connection type	Faston terminals 2.8x0.8 mm
Max. storage temperature	-30°C ... 80°C
Max. operating temperature	-20°C ... 70°C

Electrical Features

Operational voltage	24V DC
Operational current	max. 10mA
Signal frequency	4.1 +/- 0.5 kHz
Volume	max. 83dB / 10cm

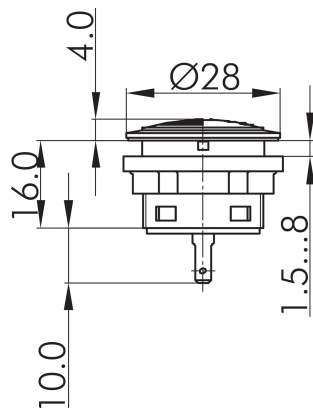
Note

Permanent operation: tested up to 24h at room temperature

Illustration:



Dimensional drawing:



Wiring diagram:

