

SMT TP series

Surface mount tiny washable pushbutton switches

Distinctive features and specifications

Entirely designed for surface mount

Tape and reel packaging

Reflow solderable

- High temperature plastic materials
- Tin plated ground plate
- Terminal coating : tin alloy over nickel plating
- Terminals turned to the outside, preventing the shadow effect in infrared soldering and permitting visual inspection of solder joints
- Distance between case and circuit : 0,55 mm (.021)
- End stackable with 10,16 mm (.40) pitch
- Available with positioning pins to ensure switch orientation during the reflow process and increasing switch mechanical resistance

Protected against electrostatic discharges (ESD) up to 10 KV

Washable

Construction withstands cleaning processes, including hot water under pressure

UG1006-A



ELECTRICAL SPECIFICATIONS

- Max. current/voltage rating with resistive load : 0,4VA 20V max. AC or DC
- Minimum load : 10mA 50mV or 10µA 5VDC
- Initial contact resistance : 50 mΩ max
- Insulation resistance : 1.000 MΩ min. at 500VDC
- Dielectric strength : 1.000 Vrms. 50 Hz min. between terminals and frame 500 Vrms. 50 Hz min. between terminals
- Electrical life at full load : 60.000 cycles
 - Static resistance : 10 KV (Schaffner equipment)

GENERAL SPECIFICATIONS

- Actuator travel : function 2 : 1 mm (.039) - function 3 : 0,8 mm (.031)
- Operating temperature : -40°C to +85°C
- Moisture resistance : 21 days per IEC 512-6 test 11c
- Vibration resistance : 10-500 Hz / 10 g per IEC 512-4 test 6d
- Shock resistance : 50 g per IEC 512-4 test 6c

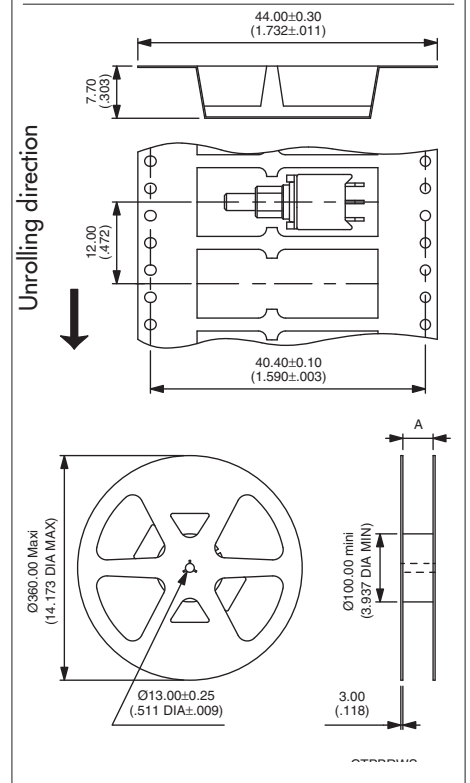
MATERIALS

- Case : high temperature plastic material UL94-V0
- Actuator : high temperature plastic material UL94-V0
- Ground plate and positioning pins : steel, tin plated
- Contacts : brass, gold plated
 - Terminals : brass, with pure tin plating over nickel barrier

SOLDERING AND CLEANING

- Reflow soldering : infrared, vapor phase or infrared convection
- Washable per IEA-RS448-2 :
 - water + detergent - preferred
 - solvents
- Further information on reflow soldering : see end of catalogue.

PACKAGING



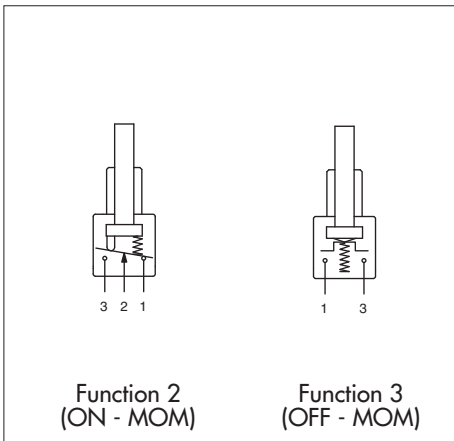
Tape width	24.00 (.944)	44.00 (1.732)
Reel (dimension A)	24.40+2.00/0.00 (.960+.078/.000)	44.40+2.00/0.00 (1.748+.078/.000)

Standard packaging unit : 700 pieces
 Tape meeting international standard IEC - Publication 286-3 (EIA481A)
 Start leader : 400 mm min.

Dimensions : First dimensions are in mm while inches are shown as bracketted numbers.

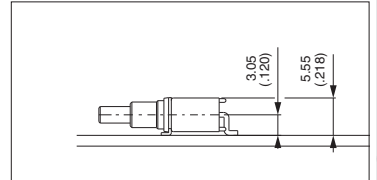
SMT TP series

Surface mount tiny washable pushbutton switches



- With or without positioning pins
- Single pole

Also available for vertical mounting. On request.



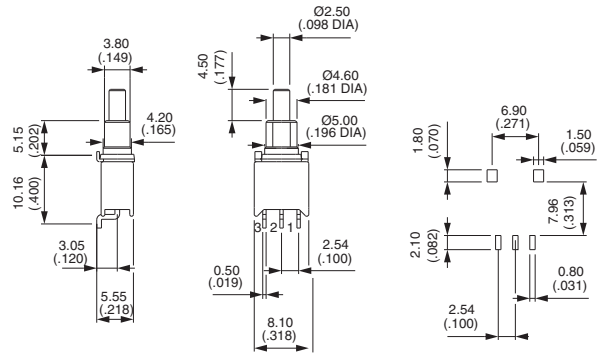
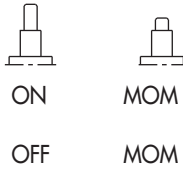
B

Pushbutton switches



TP32WS83500

TP33WS83500



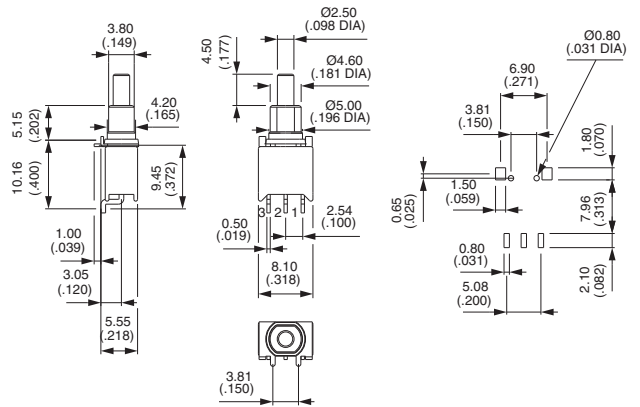
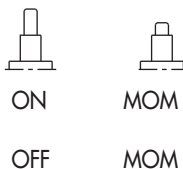
Shown in function 2

Pushbutton switches - with positioning pins



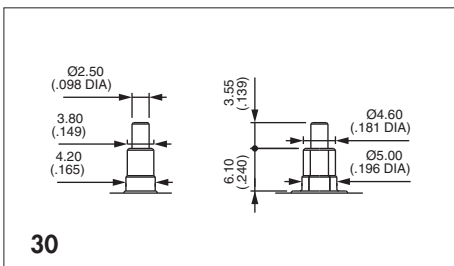
TP32WS83565

TP33WS83565

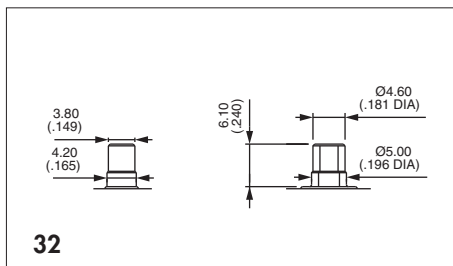


Shown in function 2

PLUNGER OPTIONS



Short
Replace 35 with 30 in the above P/N's



Flush
Replace 35 with 32 in the above P/N's.